



## CEILING RADIATION DAMPER

**MODEL:  
55 (Round)**



### APPLICATION

The CRD-55 has been UL tested and labeled for protection of ceiling openings in fire rated floor/ceiling assemblies with fire resistance ratings of 3 hours or less. This product can also be applied to steel lay-in style ceiling diffusers up to 24" Dia. (610mm) maximum size.

### RATING:

**UL CLASSIFIED:** UL 555C Fire Resistance Rating  
Fire resistance rated 3 Hours  
Building materials rated 3 Hours or less

### Standard Construction

1. UL listed link (165°F Standard)
2. Blades 22 (0.853mm) Ga. Galv. Steel
3. Roll-formed frame 22 (0.853mm) ga. Galv. Steel
4. Steel duct drop (by others).

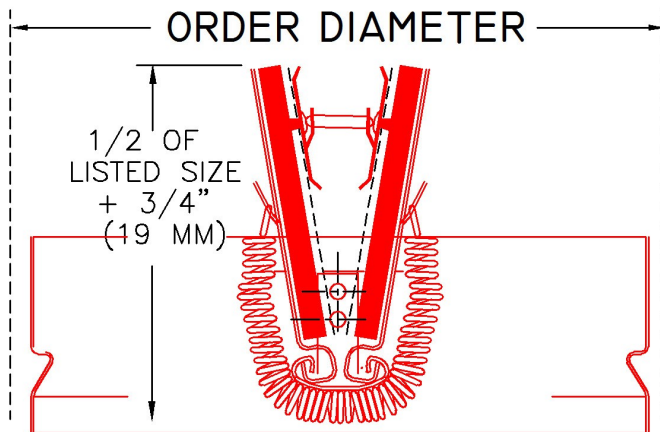
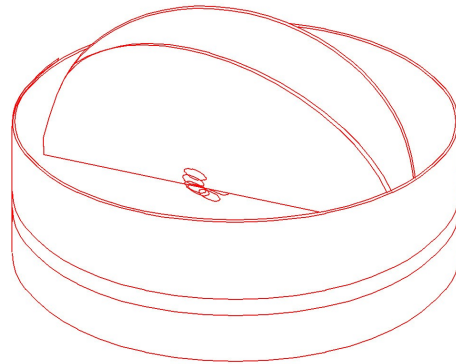
Model CRD 55 meets the requirements for fire dampers established by:

**CSFM California State Fire Marshal  
Fire Damper Listing (#3225-1417:101)**

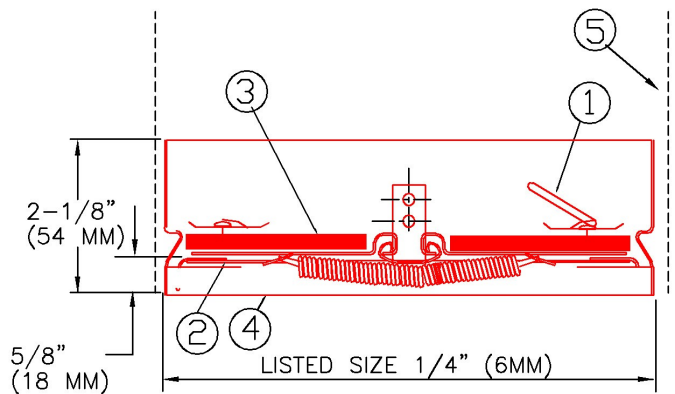


### Note:

1. Maximum size 24" Dia. (600mm)  
Minimum size 4" Dia. (100mm)
2. Available in stainless steel
3. "Ceramic insulation is not UL required on dampers with areas less than 80 square inches and is optional. Dampers above 80 square inches will be provided with blade insulation.



CRD SHOWN IN OPEN POSITION



CRD SHOWN IN CLOSED POSITION

