

AprilAire®

Zone Control

SUBMITTAL SHEET

Barometric

Bypass Damper

Project: _____

Dealer: _____

Architect: _____

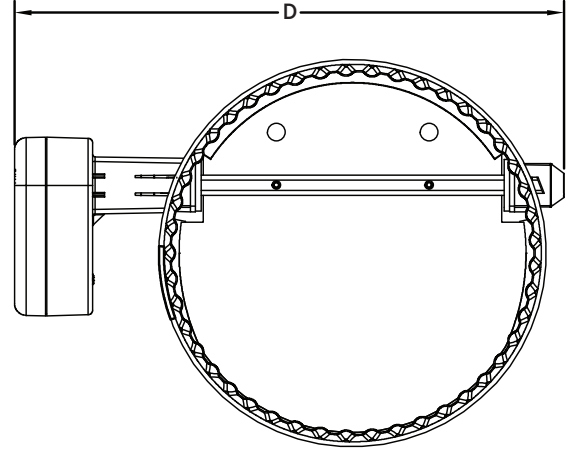
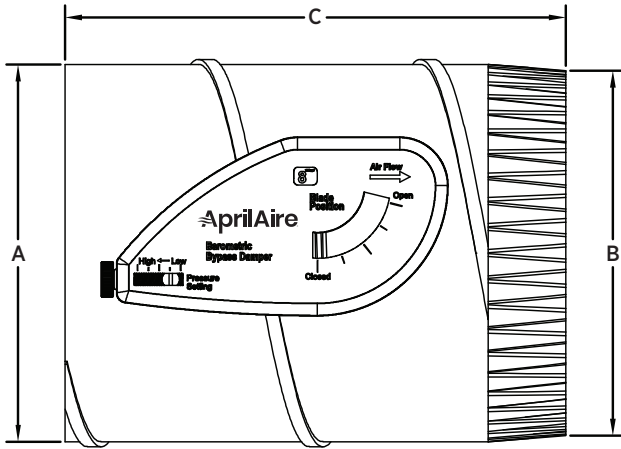
Engineer: _____

Contractor: _____

Location: _____

Suppliers: _____

Date: _____



Size	A	B	C	D	Shipping Weight	Model	CFM @ 900fpm (recommended)*	CFM @ 1600fpm (maximum)
8"	8.03" (204 mm)	7.78" (198 mm)	10.75" (273 mm)	11.68" (297 mm)	5 lbs	6108	350	550
10"	10.03" (255 mm)	9.78" (248 mm)	10.75" (273 mm)	13.55" (344 mm)	7 lbs	6110	500	900
12"	12.03" (306 mm)	11.78" (299 mm)	12.75" (324 mm)	15.42" (392 mm)	8 lbs	6112	700	1250
14"	14.03" (356 mm)	13.78" (350 mm)	14.75" (375 mm)	17.29" (439 mm)	10 lbs	6114	1000	1700
16"	16.03" (407 mm)	15.78" (401 mm)	16.75" (425 mm)	19.16" (487 mm)	13 lbs	6116	1300	2250

*ACCA Manual Zr recommends 900 fpm to limit noise

APPLICATIONS

Compatible with the AprilAire Zoned Comfort Control system. Dampers are designed to work in low pressure systems (less than 1.0" w.c.).

NOTES

Damper blade position will be controlled by an adjustable spring-tensioned regulator with damper blade position indicator.

The submittal is intended to show general, overall product dimensions and provide guidance for installation clearance. Drawings are not to scale. Ensure submittals are current. AprilAire reserves the right to make product changes without notification or obligation.