



Air Purity Solutions

Whole-Home Air Cleaners

AprilAire Air Filter | **MERV 13** Healthy Air 13
Removes Most Common Allergens

213

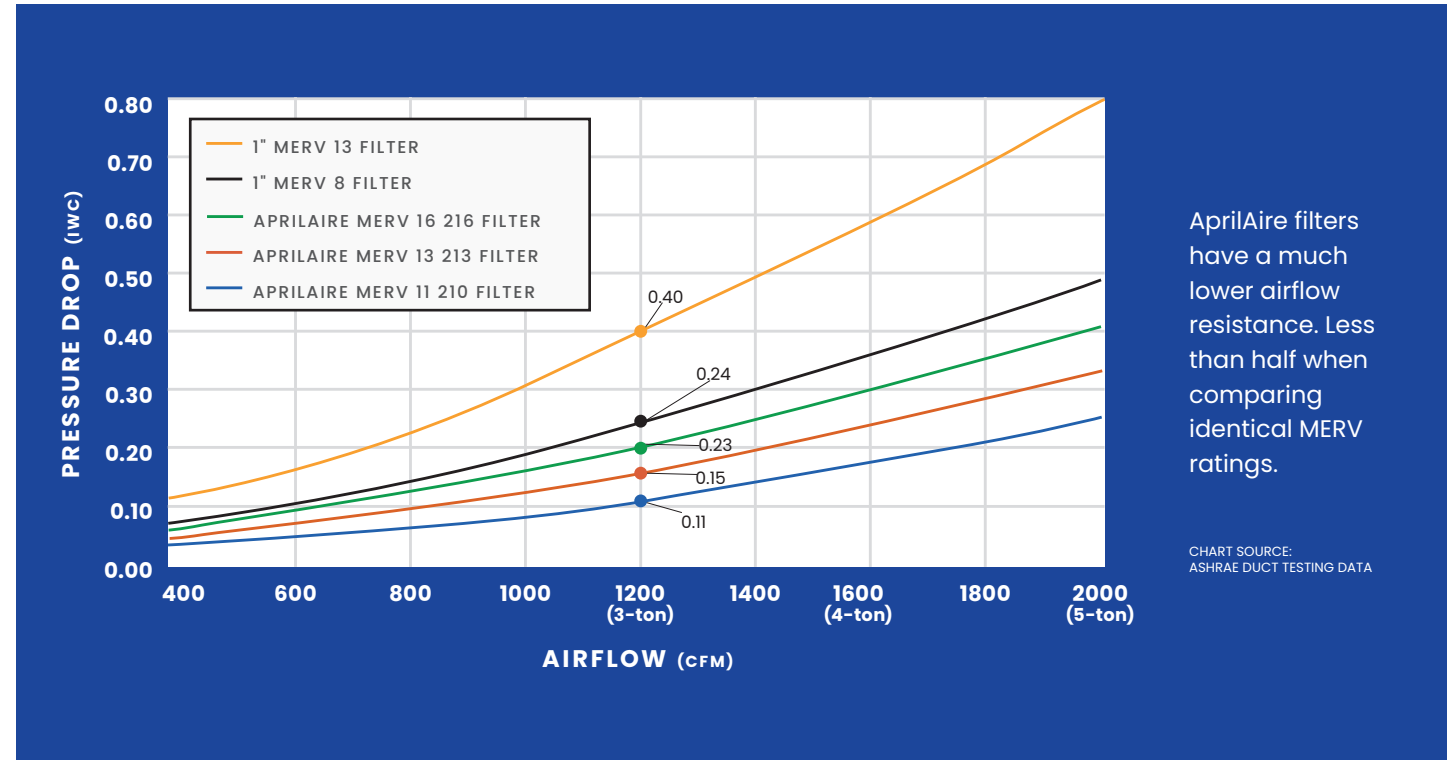
The label also features several small icons representing different types of allergens and pollutants that the filter can remove.



Healthy Clean Air in every home.

An Aprilaire Air Cleaner Should Be On Every System. Here Are Some Facts to Explain Why:

1. Static Pressure: Airflow vs. Resistance (20 x 25 Nominal Filter)



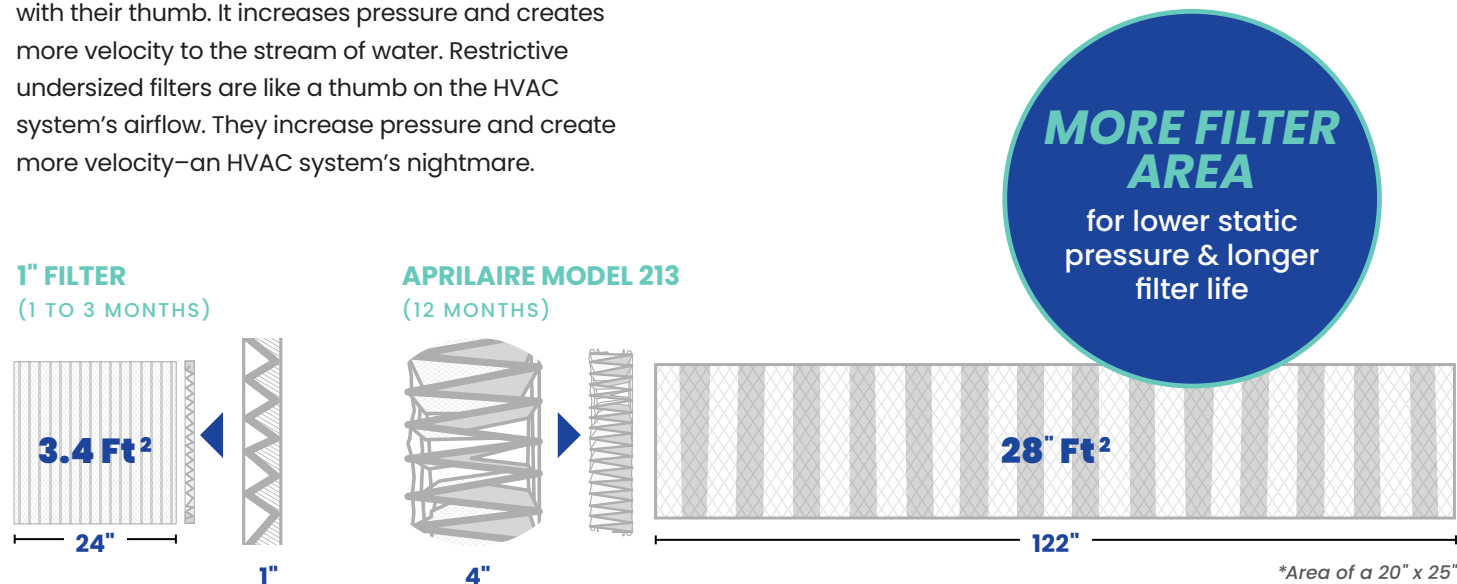
The right air filters make all the difference: the difference between equipment running efficiently or it being bogged down with problems. One-inch filters deliver high static pressure and have a low capacity for holding dust. That means they require frequent change outs. "Require" is the key word there. If customers don't change those one-inch filters as often as needed, their equipment will perform inefficiently and its coils will become dirty or even frozen.

2. For Better Airflow, Keep Velocity and Resistance Low

Velocity is the speed air moves through a filter. The larger the media area, the lower the velocity. The lower the velocity, the lower the resistance. The result: better airflow.

Everyone has held back water flowing from a hose with their thumb. It increases pressure and creates more velocity to the stream of water. Restrictive undersized filters are like a thumb on the HVAC system's airflow. They increase pressure and create more velocity—an HVAC system's nightmare.

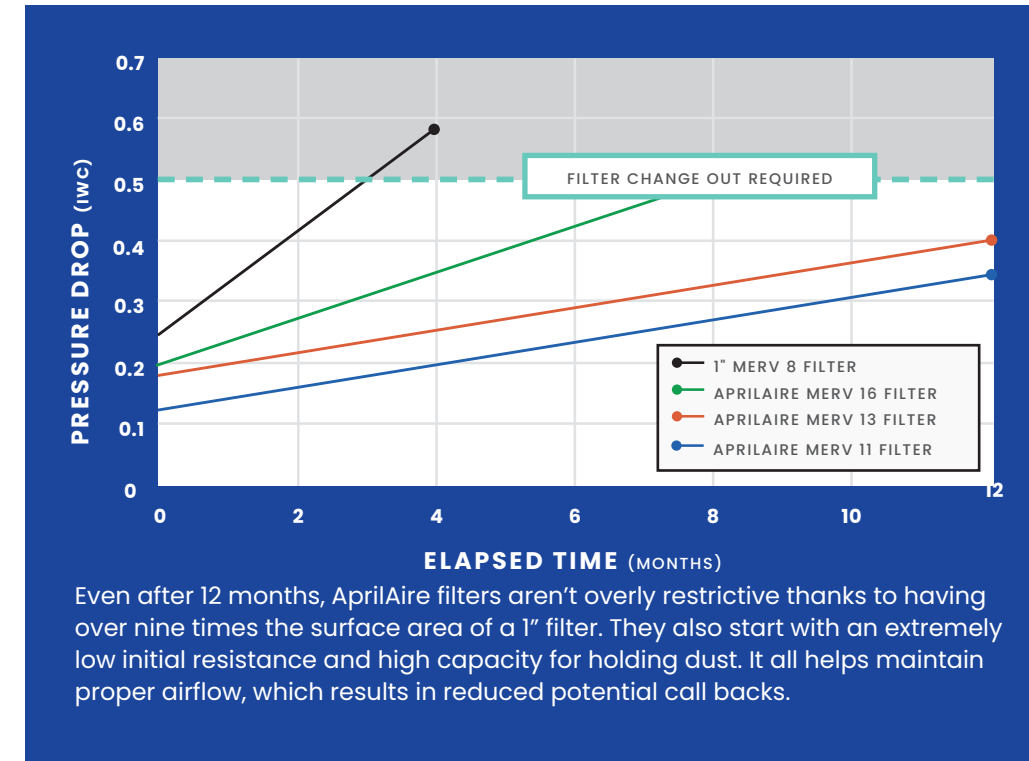
The pleats on an Aprilaire filter create more surface area. This lowers resistance and velocity which results in better airflow and increased system performance.



Good Things Flow Freely When You Include an Aprilaire Air Cleaner on Every System:

1. Reduce Callbacks
2. Low System Static
3. Longer Filter Life
4. Traps More Particles
5. Low Bypass

3. Pressure Drop vs. Time (20x25 Filter w/ 3-Ton System)



4. Particle Size Efficiency % Ashrae Min. Required

Aprilaire filters don't just meet the ASHRAE minimum standards, they blow them away.

FILTER TYPE	0.3-1 µm (micron)	1-3 µm (micron)	3-10 µm (micron)
MERV 8	-	-	70
MERV 11 (ASHRAE MIN.)	20	65	85
APRILAIRE MERV 11	37	67	92
APRILAIRE MERV 13	63	88	93
APRILAIRE MERV 16	95	98	99

BLOWER WITH BASIC 1" FILTER



BLOWER WITH APRILAIRE FILTER



Our Products Go With the Flow, Yet We Always Lead.

Aprilaire is the leader in IAQ and whole-home filtration. We offer homeowners and installers peace-of-mind and assurance that all aspects of our filters come together to provide the best air cleaner on the market today. Aspects of our filters come together to provide the best air cleaner on the market today.



Pure Fit Promise

We make our genuine Aprilaire replacement filters to fit perfectly into our air cleaner cabinet.



Self-Seal Technology

Our patented technology creates a seal to reduce the amount of air bypassing the filter.



Interlock Rails

Our filter slides securely onto our patented rail system to assure optimal performance—no plastic or metal reinforcements necessary.

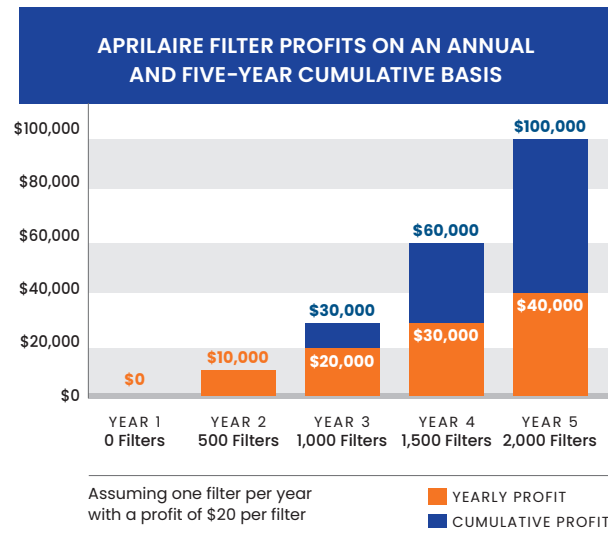


Clean Coil Guarantee

If an AC coil protected by an Aprilaire filter requires cleaning within 10 years of install, we will pay \$100 toward that service.

For Better Profits, Provide Better-Filtered Air.

When you add an AprilAire Air Cleaner to every job, you're not only improving system protection and indoor air quality, but you're also increasing your chances for additional revenue thanks to annual filter replacement with system check-ups and service agreements. Plus, the addition of Healthy Air 16 and Healthy Air 13+ air filters to our lineup gives you even more replacement filter options to offer your customers.



AprilAire offers upgrade rail kits that fit into our older AprilAire and Space-Gard cabinets (Models 2200 and 2400). We also offer competitive upgrade rails that fit into a variety of air cleaners made by other manufacturers.* Both types of rails allow you to use the same high-performance filters that fit into the air cleaners we offer today. This means you can earn even more revenue from AprilAire replacement filters on every air cleaner you've installed—past, present and future.

**See Upgrade Kit Specifications page for a complete list of model numbers and compatible air cleaners.*



What's in a Name? Not Much if They Don't Remember It.

Help keep your name on top of your customers' minds by imprinting our air cleaner doors with your logo and contact information. When they need a new air filter, they'll know exactly who to contact. Reach out to your District Sales Manager for more information.

The Right Filter for Every Home

AprilAire Air Filter | **MERV 16** Healthy Air 16
Removes up to 99% of Asthma Triggers

Captures 98% of Airborne Viruses

PROTECTS YOUR HVAC SYSTEM

- Pollen
- Mold Spores
- Bacteria
- Pet Dander
- Dust
- Dust Mite
- Tabacco Smoke
- Pollution
- Virus

REMOVES UP TO 99% OF ASTHMA TRIGGERS

- MERV 16 performance
- Captures 98% of virus-sized particles
- Low resistance
- Superior system protection
- Up to 6-month filter life

AprilAire Air Filter | **MERV 13** Healthy Air 13+
Removes Most Common Allergens + Odors

Removes Odors and Captures VOCs with Activated Carbon

PROTECTS YOUR HVAC SYSTEM

- Pollen
- Mold Spores
- Bacteria
- Pet Dander
- Dust
- Dust Mite
- Odor

REMOVES PET & COOKING ODORS, VOCs & PARTICULATE

- MERV 13 performance plus odor reduction
- The most activated carbon added to any air filter
- Reduces noticeable odors caused by pets, cooking and common household VOCs
- Up to 6-month filter life

AprilAire Air Filter | **MERV 13** Healthy Air 13
Removes Most Common Allergens

PROTECTS YOUR HVAC SYSTEM

- Pollen
- Mold Spores
- Bacteria
- Pet Dander
- Dust
- Dust Mite

REMOVES MOST COMMON ALLERGENS

- MERV 13 performance
- Designed for homeowners with low-to-moderate allergy problems
- Low resistance
- Up to 1-year filter life

AprilAire Air Filter | **MERV 11** Healthy Air 11
Vacuum & Dust Less Often

PROTECTS YOUR HVAC SYSTEM

- Pollen
- Mold Spores
- Bacteria
- Pet Dander
- Dust

VACUUM AND DUST LESS OFTEN

- MERV 11 performance
- Particulate removal, system protection and static pressure superior to 1" filters
- Vacuum and dust less often
- Up to 1-year filter life

Features and Benefits

AprilAire Air Cleaner Features

- Most models compatible with AprilAire Healthy Air 16, Healthy Air 13+, Healthy Air 13 and Healthy Air 11 air filters.*

*See chart at top of opposite page.

- Minimal maintenance required – simply replace filters once every 6 months to 1 year.**

**See previous page for filter life recommendations.

- Load rated up to 400 lbs.

- UL listed



5-year warranty on all installed products
(warranty does not apply to filters)



Designed & Engineered in the USA
* with US and imported parts



2000 Series with Allergy & Asthma Healthy Air 16 Air Filter

- Offers the best performance in terms of particulate removal, system protection and relief for allergy and asthma sufferers
- Model 2516 Air Cleaner offers the lowest resistance with a MERV 16 filter in the industry designed for higher tonnage systems
- 216 and 416 filters not recommended for use with 5-ton systems
- Made of corrosion-resistant heavy-gauge pre-painted steel



2000 Series with Healthy Home Healthy Air 13+/13 Air Filter

- Made of corrosion-resistant heavy-gauge pre-painted steel
- Low resistance



1000 Series with Clean Air Healthy Air 11 Air Filter

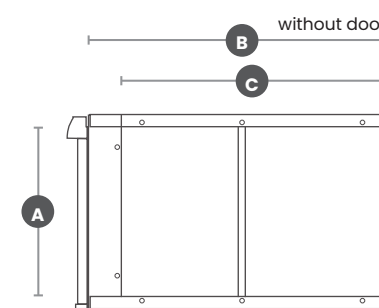
- Model 1510 is designed for low static pressure on higher tonnage residential HVAC installations including geothermal systems, eliminating the need for multiple Air Cleaners on one system
- Made of corrosion-resistant heavy-gauge galvanized steel

Cabinet Specifications



Air Cleaner Series	16x20	20x25	20x20	16x25	31x28	25x20
2000 SERIES Ships with MERV 16	–	2216	–	2416	2516	–
2000 SERIES Ships with MERV 13	–	2210	2310	2410	–	–
1000 SERIES Ships with MERV 11	1110	1210	1310	1410	1510	1910

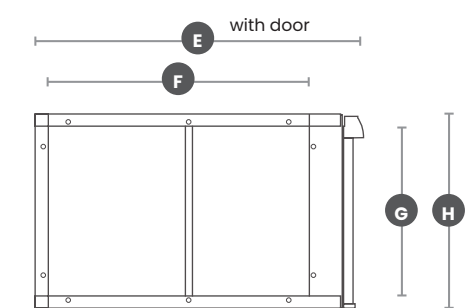
Inlet Side Return Duct Connection



Front



Outlet Side Furnace Connection



Dim.	Description	16x20	20x25	20x20	16x25	31x28	25x20
A	Inlet Opening Height	15 ⁷ / ₁₆ " (392mm)	19 ³ / ₄ " (502mm)	18 ¹ / ₁₆ " (459mm)	15 ⁷ / ₁₆ " (392mm)	28 ²³ / ₃₂ " (729mm)	22 ³ / ₄ " (578mm)
B	Outer Housing Depth without Door	20 ¹ / ₁₆ " (510mm)	25 ³ / ₈ " (645mm)	20 ¹ / ₁₆ " (510mm)	28 ¹ / ₁₆ " (713mm)	28 ¹ / ₁₆ " (713mm)	20 ¹ / ₁₆ " (510mm)
C	Inlet Opening Width	17 ³ / ₈ " (441mm)	21 ³ / ₁₆ " (538mm)	15 ⁷ / ₈ " (403mm)	23 ⁷ / ₈ " (606mm)	23 ⁷ / ₈ " (606mm)	15 ⁷ / ₈ " (403mm)
D	Unit Width	6 ³ / ₄ " (171mm)	6 ³ / ₄ " (171mm)	6 ³ / ₄ " (171mm)	6 ³ / ₄ " (171mm)	6 ³ / ₄ " (171mm)	6 ³ / ₄ " (171mm)
E	Outer Housing Depth with Door	22 ¹ / ₁₆ " (560mm)	27 ³ / ₈ " (695mm)	22 ¹ / ₁₆ " (560mm)	30 ¹ / ₁₆ " (764mm)	30 ¹ / ₁₆ " (764mm)	22 ¹ / ₁₆ " (560mm)
F	Outlet Opening Width	17 ³ / ₈ " (441mm)	21 ³ / ₁₆ " (538mm)	15 ⁷ / ₈ " (403mm)	23 ⁷ / ₈ " (606mm)	23 ⁷ / ₈ " (606mm)	15 ⁷ / ₈ " (403mm)
G	Outlet Opening Height	15 ⁷ / ₁₆ " (392mm)	19 ³ / ₄ " (502mm)	18 ¹ / ₁₆ " (459mm)	15 ⁷ / ₁₆ " (392mm)	28 ²³ / ₃₂ " (729mm)	22 ³ / ₄ " (578mm)
H	Unit Height	17 ³ / ₄ " (451mm)	22 ¹ / ₁₆ " (560mm)	20 ³ / ₈ " (518mm)	17 ³ / ₄ " (451mm)	31" (787mm)	25 ¹ / ₁₆ " (637mm)

EASY INSTALL* Ships with MERV 11				FILTER GRILLE**		
Normal Size (inches)	MODEL		MODEL		Replacement Media	
	16x25*	1610	16x25**	1625FG11	610	
20x25*	1620	20x25**	1625FG13	613		
			2025FG11	810		
			2025FG13	813		

*See full dimensions and list of compatible filter models on page 11 **See full dimensions on page 10

Filter Specifications



Filter Series	16x20	20x25	20x20	16x25	31x28	25x20
MERV 16 HEALTHY AIR 16 AIR FILTER	-	216	-	416	516	-
MERV 13+ HEALTHY AIR 13+ AIR FILTER	-	213CBN	-	413CBN	513CBN	-
MERV 13 HEALTHY AIR 13 AIR FILTER	113	213	313	413	513	913
MERV 11 HEALTHY AIR 11 AIR FILTER	110	210	310	410	510	910

REMOVAL EFFICIENCY (Based on Particle Size)

	0.3–1.0 Microns	1.0–3.0 Microns	3.0–10.0 Microns
MERV 16	95%	98%	99%
MERV 13	63%	88%	93%
MERV 11	37%	67%	92%
MERV 10	22%	56%	92%
EAC (Model 5000)	89%	95%	98%

Test Method – MERV 10-16 – ASHRAE 52.2.2012, EAP – AHRI 680-2009

REPLACEMENT FILTERS

Filter No.	Nominal Size (in inches)	Used with AprilAire Air Cleaner Models	Static Pressure Drop (in. w.c.) @ 1200 CFM	Maximum Airflow Capacity (in CFM)
MERV 10				
201	20 x 25	2200 Space-Gard*, 2200 AprilAire*	0.12	2000
401	16 x 25	2400 Space-Gard*, 2400 AprilAire*	0.14	2000
EAC				
501	16 x 25	5000	0.14	2000

*Air Cleaner models no longer available.

Upgrade Kit Specifications

UPGRADE KITS	Nominal Size (in inches)	Compatible With	Included Filter	Rails Model Number	Static Pressure Drop (in. w.c.) @ 1200 CFM	Maximum Airflow Capacity (in CFM)	
MERV 13	#1213	20 x 25	AprilAire or Space-Gard 2200	213	4893	0.15	2000
	#1413	16 x 25	AprilAire or Space-Gard 2400	413	4894	0.17	2000

UPGRADE RAILS	Nominal Size (in inches)	Compatible With	Uses Filter Model	Maximum Airflow Capacity (in CFM)	
	#4893	20x25	2200 Space-Gard Units	210, 213, 213CBN	2000
	#4894	16x25	2400 Space-Gard Units	410, 413, 413CBN	2000
	#4897	16x25	16x25 Competitive Cabinets	610, 613	2000
		20x25	20x25 Competitive Cabinets	810, 813	2000
	#4898	16x20	16x20 Competitive Cabinets	110, 113	1200
		20x20	20x20 Competitive Cabinets	310, 313	1200

*1213 Upgrade Kit includes 4893 rails and Model 213 MERV 13 Healthy Home Filter

**1413 Upgrade Kit includes 4894 rails and Model 413 MERV 13 Healthy Home Filter

Offer total IAQ Control to your customers

Installing an AprilAire Wi-Fi thermostat gives homeowners complete control over their indoor air quality. The thermostat's Event-Based™ Air Purifying feature turns on the HVAC fan for a period of time so the Air Cleaner can remove airborne dust and particles after vacuuming, for example. That period can also be extended for situations in which more air purification is needed. And for greater control, homeowners can control the air purity, relative humidity† and temperature of their home all from the comfort of their mobile device.



Model 8620W, Model 8910W Model 8920W

- Universal 2H/2C or 4H/2C HP (8620W)
- Universal 3H/3C or 4H/2C HP (8910W, 8920W)
- Event-Based™ Air Purification
- Humidity and ventilation
- Two Part - Three-Wire design
- Full-color Wi-Fi touchscreen (8920W)
- Wi-Fi
- Touchscreen display (8620W, 8910W)

†Requires the installation of an AprilAire humidifier and/or dehumidifier.

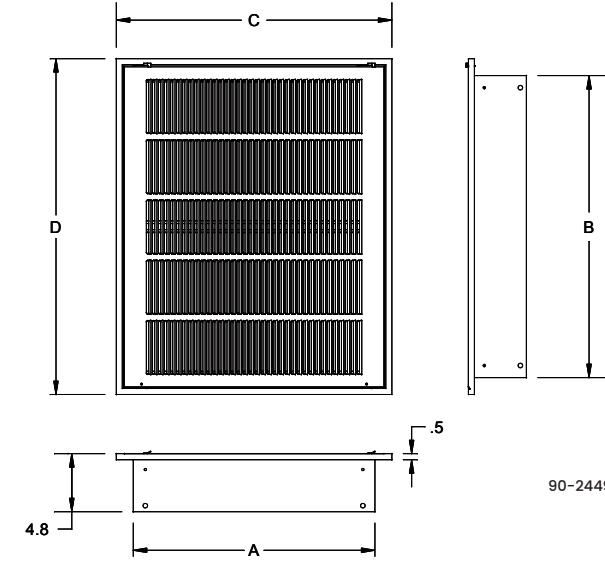
Filter Specifications

1625FG/2025FG Filter Grille Air Cleaner

PRESSURE DROP CHART

		Static Pressures at Variable CFM (in. w.c.)*															
		200	400	600	800	1000	1200	1400	1600	1800	2000	2200	2400	2600	2800	3000	
MERV 16 ALLERGY & ASTHMA	216		0.06	0.09	0.13	0.17	0.23	0.29	0.36								
	416		0.07	0.10	0.13	0.18	0.24	0.31									
	516		0.04	0.05	0.07	0.09	0.10	0.13	0.15	0.18	0.21	0.24	0.27	0.31			
MERV 13 HEALTHY HOME	113	0.03	0.07	0.11	0.16	0.22	0.29										
	213	0.02	0.04	0.06	0.09	0.12	0.15	0.19	0.23	0.27	0.31						
	313	0.03	0.05	0.09	0.13	0.17	0.23										
	413	0.02	0.05	0.07	0.10	0.14	0.17	0.22	0.26	0.31	0.37						
	513	0.01	0.02	0.04	0.05	0.05	0.07	0.08	0.10	0.11	0.13	0.15	0.17	0.18	0.20	0.23	
	613	0.02	0.05	0.07	0.10	0.14	0.17	0.22	0.26	0.31	0.37						
	813	0.02	0.04	0.06	0.09	0.12	0.15	0.19	0.23	0.27	0.31						
	913		0.04	0.07	0.10	0.13	0.17	0.22	0.25	0.30	0.35						
MERV 13 ODOR REDUCTION	213CBN		0.04	0.07	0.10	0.13	0.17	0.21	0.25	0.30	0.35						
	413CBN		0.04	0.07	0.10	0.14	0.19	0.24	0.29	0.36	0.43						
	513CBN		0.03	0.04	0.05	0.07	0.08	0.10	0.12	0.15	0.17	0.20	0.22	0.25	0.29	0.32	
MERV 11 CLEAN AIR	110	0.02	0.05	0.06	0.10	0.14	0.20										
	210	0.02	0.03	0.04	0.06	0.08	0.11	0.13	0.16	0.19	0.22						
	310	0.02	0.04	0.06	0.10	0.14	0.19										
	410	0.02	0.03	0.05	0.07	0.09	0.12	0.15	0.19	0.22	0.27						
	510	0.02	0.02	0.03	0.04	0.04	0.05	0.06	0.07	0.09	0.10	0.12	0.14	0.15	0.17	0.19	
	610	0.02	0.03	0.05	0.07	0.09	0.12	0.15	0.19	0.22	0.27						
	810	0.02	0.03	0.04	0.06	0.08	0.11	0.13	0.16	0.19	0.22						
	910	-	0.03	0.05	0.07	0.09	0.12	0.15	0.18	0.22	0.27						
	MERV 10	201	0.02	0.04	0.05	0.08	0.10	0.12	0.15	0.18	0.21	0.25					
		401	0.02	0.04	0.05	0.08	0.10	0.14	0.17	0.21	0.25	0.29					
EAC	501	0.02	0.04	0.05	0.08	0.10	0.14	0.17	0.21	0.25	0.29						

*Highest value shown is maximum recommended airflow capacity.



Above Ceiling Mount Configuration
Left Vertical Wall Mount Configuration

The AprilAire Filter Grille Air Cleaner provides high-efficiency filtration for any return grille application where a 1" or 2" filter is typically used. Our patented filter design delivers low system static and no bypass, reducing profit-robbing call backs.

Available in 16x25 and 20x25 models, the Filter Grille Air Cleaner comes complete with the frame, removable grille, filter locks and a Healthy Air 11 or Healthy Air 13 filter, dependent upon the model.

FEATURES

- Self-Seal design
- Interlocking rail system
- Extremely low initial resistance
- Larger filter surface area vs. 1"
- 10 year clean coil guarantee
- Filter upgrade available

BENEFITS

- Eliminates bypass
- Perfect fit
- Low system static, better protection
- Fewer filter changes
- Peace-of-mind protection
- Efficiency choices:
 - MERV 11
 - MERV 13
- Meets 2019 CEC Title 24 Part 6 when MERV 13 filter is installed

Dimensions	Description	MODEL	
		1625FG	2025FG
A	Inner Frame Width	16 ¹ / ₁₆ "	20 ¹ / ₁₆ "
B	Inner Frame Length	25 ¹ / ₁₆ "	25 ¹ / ₁₆ "
C	Outer Frame Width	18 ¹⁵ / ₁₆ "	22 ¹⁵ / ₁₆ "
D	Outer Frame Length	27 ¹⁵ / ₁₆ "	27 ¹⁵ / ₁₆ "

Model No.	Nominal Size (In Inches)	Filter Model	Filter Eff. (MERV)	Filtering Area (sq. ft.)	Shipping Weight
1625FG11	16 x 25	610	11	20.8	16 lbs.
1625FG13		613	13		
2025FG11	20 x 25	810	11	26.5	18 lbs.
2025FG13		813	13		

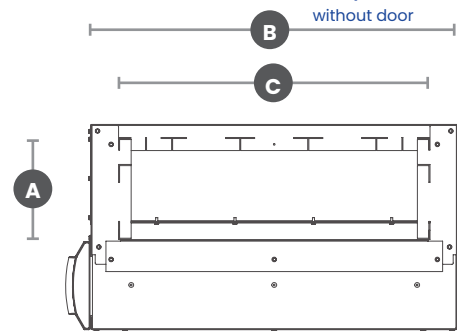
Filter Model	GRILLE + FILTER PRESSURE DROP (IN W.C.)*								
	400 CFM	600 CFM	800 CFM	1000 CFM	1200 CFM	1400 CFM	1600 CFM	1800 CFM	2000 CFM
610	.03"	.06"	.09"	.12"	.16"	.21"	.26"		
613	.05"	.08"	.12"	.17"	.21"	.28"	.33"		
810	.03"	.05"	.07"	.10"	.13"	.16"	.20"	.25"	.29"
813	.04"	.07"	.10"	.14"	.17"	.22"	.27"	.33"	.38"

*Recommended grille face velocity is 300-450 fpm. Cells in white represent grille face velocities above 450 fpm, where there is potential for unwanted noises. To minimize risk of noise, use two filter grilles on systems over 3.5 tons.

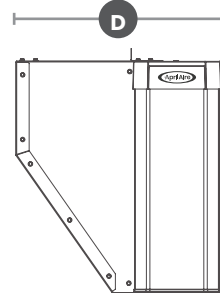
1610/1620 Easy Install Air Cleaner

MODEL 1610 SPECIFICATIONS AND SIZING SUMMARY				
Model	Nominal Size (in inches)	Shipping Weight	Replacement Filter	
			Ships With	Upgrade To
1610	16 x 25	31 lbs.	Model 410	Model 416, 413CBN, 413
1620	20 x 25	32.4 lbs.	Model 210	Model 216, 213CBN, 213

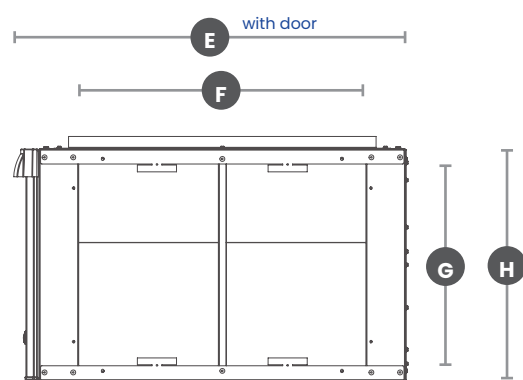
Inlet Return Duct Connection (Top View)



Front



Outlet Side Furnace Connection



Dimension	Description	Model 1610	Model 1620
A	Inlet Opening Width	8 ³ / ₃₂ " to 10 ³ / ₃₂ " (206-257mm)	8 ³ / ₃₂ " to 10 ³ / ₃₂ " (206-257mm)
B	Outer Housing Depth without Door	28 ³ / ₁₆ " (716mm)	25 ³ / ₈ " (645mm)
C	Inlet Opening Depth	23 ⁷ / ₈ " (606mm)	21 ³ / ₃₂ " (536mm)
D	Unit Width	15 ¹¹ / ₁₆ " (398mm)	15 ¹¹ / ₁₆ " (398mm)
E	Outer Housing Depth with Door	30 ³ / ₁₆ " (767mm)	27 ³ / ₈ " (695mm)
F	Outlet Opening Width	22" (559mm)	19 ⁵ / ₁₆ " (491mm)
G	Outlet Opening Height	15 ¹ / ₂ " (394mm)	19 ³ / ₄ " (502mm)
H	Unit Height	17 ¹³ / ₁₆ " (452mm)	22 ¹ / ₈ " (562mm)



The Models 1610 and 1620 are designed for easy installation in upflow HVAC systems with right or left returns. They feature built-in ductwork for applications that require a 90° duct adapter and an 8–10" adjustable return opening.

FEATURES

- Ships with Healthy Air 11 filter
- Can be upgraded to MERV 16, Odor Reduction, or Healthy Air 13 filter with simple filter change
- Easily converts to right or left side by reversing door and back plate
- Includes metal tabs for securing the Air Cleaner frame to the furnace or air handler
- Simple annual filter replacement
- Made of corrosion-resistant heavy gauge pre-painted steel
- Proprietary door design and Self-Seal® design virtually eliminates air bypass for optimal performance
- UL classified filters
- Five-year warranty on cabinet from date of installation

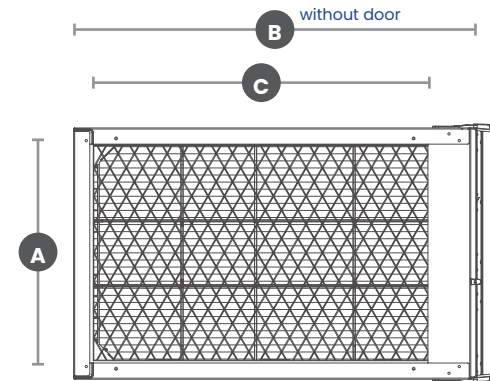
BENEFITS

- Reduces installation time — no need for field-formed transitions — requires little or no cold air return repositioning
- Protects HVAC equipment from dust buildup
- Protects equipment performance
- Superior performance over one-inch panel filters and four-inch cartridge filters

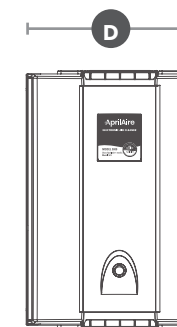
5000 Electronic Air Cleaner

MODEL 5000 SPECIFICATIONS AND SIZING SUMMARY			
Nominal Size (in inches)	Shipping Weight	Replacement Filter	Filtering Area
16 x 25	38 lbs.	Model 501	72.3 ft ²

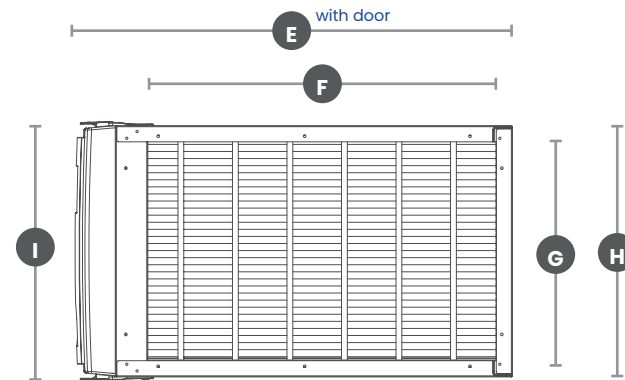
Inlet Side Return Duct Connection



Front



Outlet Side Furnace Connection



Dimension	Description	Model 5000
A	Inlet Opening Height	15 ¹ / ₂ " (394mm)
B	Outer Housing Depth without Door & Clips	28 ¹ / ₈ " (714mm)
C	Inlet Opening Width	23 ⁷ / ₈ " (606mm)
D	Unit Width	12" (305mm)
E	Outer Housing Depth with Door & Clips	31" (787mm)
F	Outlet Opening Width	23 ⁷ / ₈ " (606mm)
G	Outlet Opening Height	15 ¹ / ₂ " (394mm)
H	Unit Height at Back	17 ³ / ₄ " (451mm)
I	Unit Height at Front	18 ¹ / ₄ " (464mm)



The Model 5000 greatly minimizes airborne contaminants that can aggravate allergies as well as asthma, cold and flu symptoms. Captures 89% of particles 0.3–1.0 micron in size and 98% of particles 3.0–10.0 microns in size.

FEATURES

- Silent operation — none of the “snapping” or “popping” that’s common with plate-type EACs
- Minimal maintenance required — simply replace filter annually and wipe off internal components
- Made of corrosion-resistant heavy gauge galvanized steel
- UL listed cabinet
- UL classified filters
- Load rated up to 400 lbs.
- Five-year warranty on cabinet from date of installation
- Unit is equipped with six ft. grounded cord with plug
- Consumes less than 50 watts with high voltage active

BENEFITS

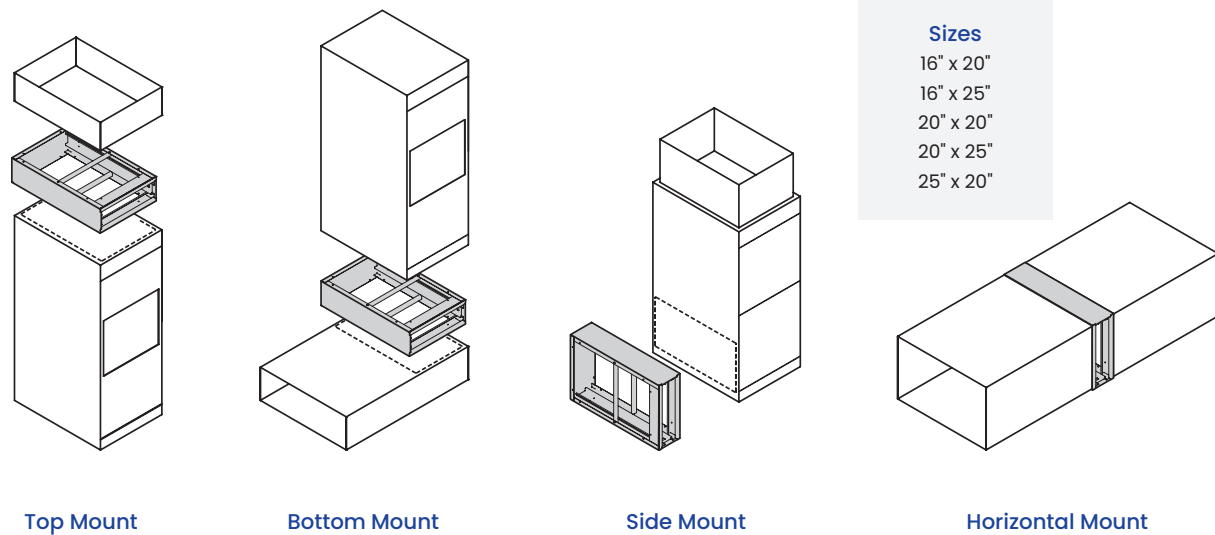
- Captures 89% of particles 0.3–1.0 micron in size and 98% of particles 3.0–10.0 microns in size
- Offers equipment protection from dust buildup
- Protects equipment performance
- Superior performance over one-inch panel filters and four-inch cartridge filters

ELECTRICAL SPECIFICATIONS

Voltage	120 VAC ± 15%
Frequency	60Hz
Current	0.3 A

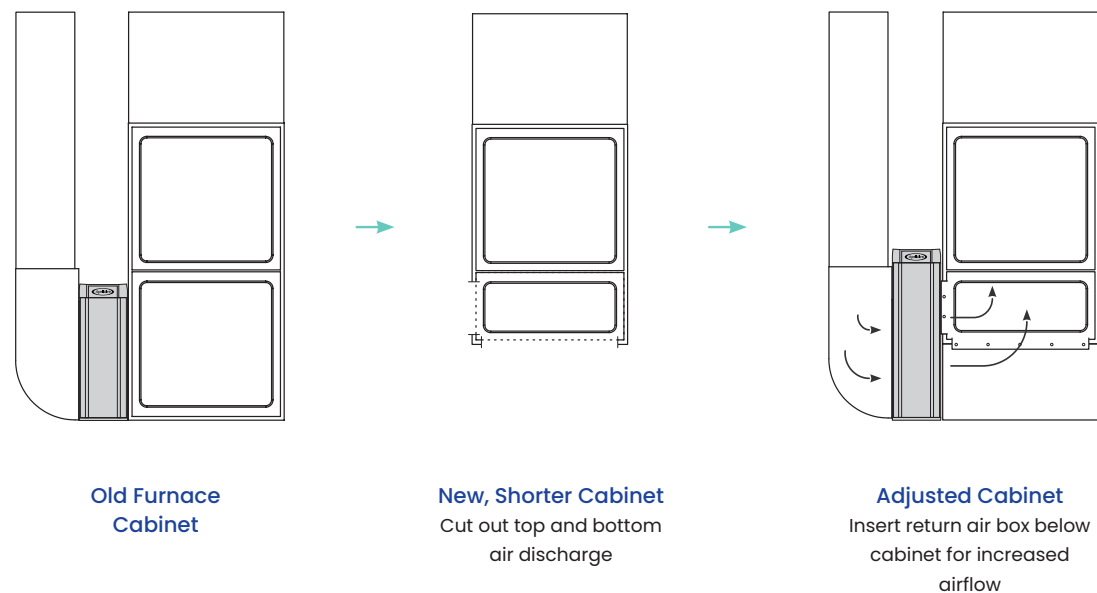
Application Guidance

AprilAire's award-winning lineup of air cleaners are sized to fit the many different furnace and air handler dimensions available today. No matter if it's a downflow, upflow, or horizontal system, AprilAire has the right sizes available to make your installations easier.



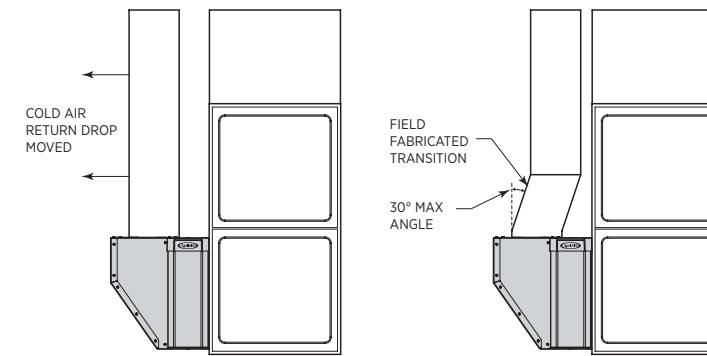
It's All About Airflow

Equipment cabinet sizes are getting smaller. Use the smaller size cabinet as an opportunity to increase airflow and ensure the best system protection by installing a Model 2516 cabinet with a Healthy Air 16 filter. The lower static pressure and higher removal efficiency will optimize the HVAC system for years to come.



Application Guidance

Contractors have done the math. Using the Model 1610/1620 with its integrated transition is a cost effective solution. There is no need to purchase a separate transition.

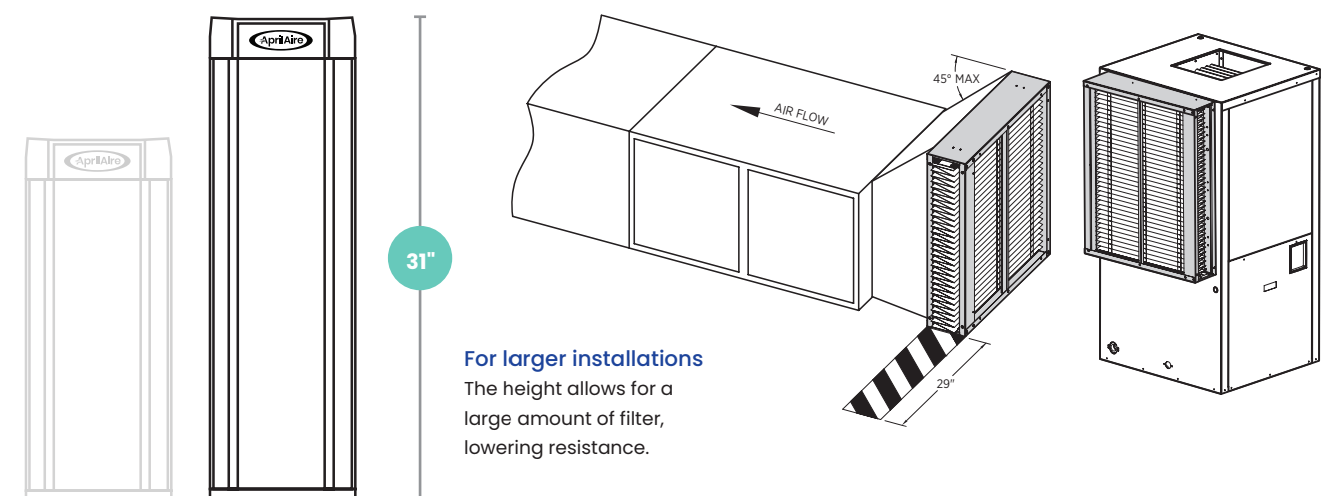


BENEFITS

- Minimizes distance from the air handler for tight installations
- Perfect when return is close to air handler, when replacing 1" or 2" panel filter slots
- Converts easily to right or left side
- Unique air inlet tab adjusts to multiple duct sizes

High Tonnage and Geothermal Systems

The system pressures of these applications require very low resistance. Historically, contractors stack air cleaners. The AprilAire Models 2516 and 1510 are specifically designed for these applications.



AprilAire®

