

# AprilAire<sup>®</sup>

## Sensors

SUBMITTAL SHEET

## Model 8052

Indoor/Outdoor Temperature Sensor

Project: \_\_\_\_\_

Dealer: \_\_\_\_\_

Architect: \_\_\_\_\_

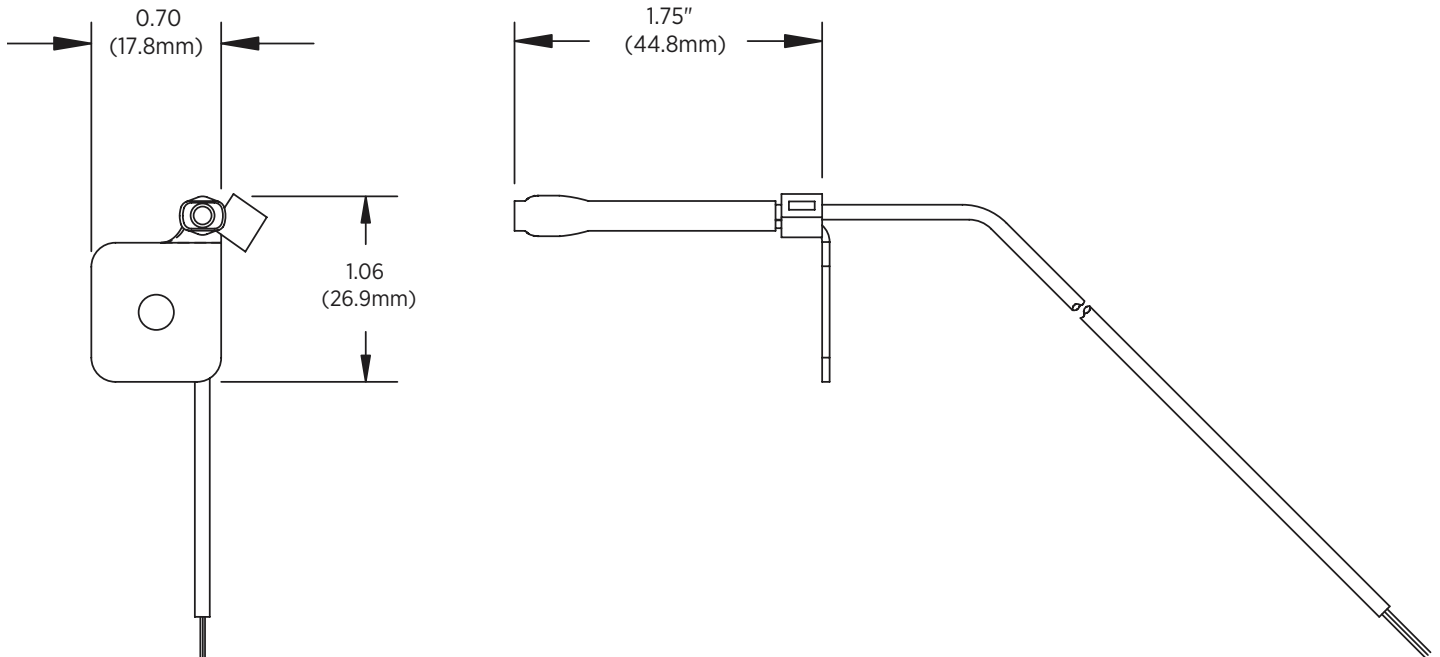
Engineer: \_\_\_\_\_

Contractor: \_\_\_\_\_

Location: \_\_\_\_\_

Suppliers: \_\_\_\_\_

Date: \_\_\_\_\_



### NOTES – COMPATIBLE WITH:

AprilAire 8400, 8600, 8800 & 8900-Series thermostats

AprilAire S86 Thermostats

AprilAire 8120-Series Ventilation Controllers

AprilAire Models 60, 62 & 63 Humidistats

AprilAire E-series Dehumidifiers

AprilAire 6200, 6300 & 6400-Series Zone Control Panels

**The submittal is intended to show general, overall product dimensions and provide guidance for installation clearance. Drawings are not to scale. Ensure submittals are current. AprilAire reserves the right to make product changes without notification or obligation.**