

⚠ WARNING

- **ATTENTION INSTALLER:** Read this manual before installing. Improper installation or maintenance may cause property damage or injury. It is recommended that installation, service, and maintenance be performed by a trained service technician. This product must be installed in compliance with all local, state, and federal codes.
- **ELECTRIC SHOCK HAZARD:** 120 volts may cause serious injury from electric shock. Disconnect electrical power to the HVAC system and humidifier before starting installation or servicing. Leave power disconnected until installation/service is completed.
- **RISK OF SCALDING.** Water temperature over 125°F can cause severe burns and scald instantly. Shut off the hot water supply before disconnecting or tapping into any hot water supply line.
- Avoid obstructions such as plumbing or electrical wires when cutting into walls.

⚠ CAUTION

- **SHARP EDGES MAY CAUSE INJURY FROM CUTS.** Use care when cutting plenum openings and handling ductwork. Always wear glasses/goggles and gloves when installing the unit.
- Dropping may cause personal injury or equipment damage. Handle with care and follow installation instructions.

NOTICE

FREEZING TEMPERATURES CAN BURST WATER PIPES.

- Do not install the humidifier where freezing may occur. The water line could freeze and crack causing water damage to the home.

CONDENSATION DAMAGE OR MOLD CAN OCCUR.

- Position the return duct mounted humidifier control at least 6" upstream of the humidifier or fresh air intake for accurate humidity sensing.
- Position the wall-mounted humidifier control in areas unaffected by drafts or heat sources for accurate humidity sensing.
- Lower the humidity setting on the humidifier control if there is excess condensation on the inside of any windows in unheated living spaces.

EQUIPMENT DAMAGE MAY OCCUR IF INSTALLATION INSTRUCTIONS ARE NOT FOLLOWED.

- Do not install the humidifier on the furnace jacket.
- Do not connect the power cord to multi-speed furnace blower motors or blower motors other than 120 VAC. Use AprilAire Model 50 Current Sensing Relay. Do not alter 120 VAC plug or hardwire the unit.
- Do not install the humidifier on a plenum face at the blanked end of the cooling coil.
- If water pressure exceeds 125 psi, reduce water pressure with devices allowed by local codes.
- Use hot water with a temperature no greater than 140°F (60°C).
- Do not install the humidifier on systems with external static pressure greater than 0.4" w.c.
- When installing the humidifier control on the return duct of a downflow furnace, ensure blower continues to run after a heat call is satisfied to eliminate high temperatures from damaging the humidifier control.
- Periodically check drain line to make sure water flows freely to drain.

SPECIFICATIONS

Humidifier Dimensions:

Width: 15-29/32"
Height (including solenoid valve and drain spud): 18"
Depth: 10-11/32"

Plenum Opening: 14-3/4"W x 14-5/16"H

Water Feed Rate: 3 gph

Electrical Data: 24 VAC, 60 Hz, 0.8 Amp

Water Panel®: Model 35

FURNISHED ITEMS

- 24 VAC transformer
- Automatic Digital Humidifier Control and Outdoor Temperature Sensor (Model 700 only)
- Manual Humidifier Control (Model 700M only)
- Humidifier Control Installation Instructions
- Saddle valve
- Humidifier Installation Template

ITEMS NOT FURNISHED

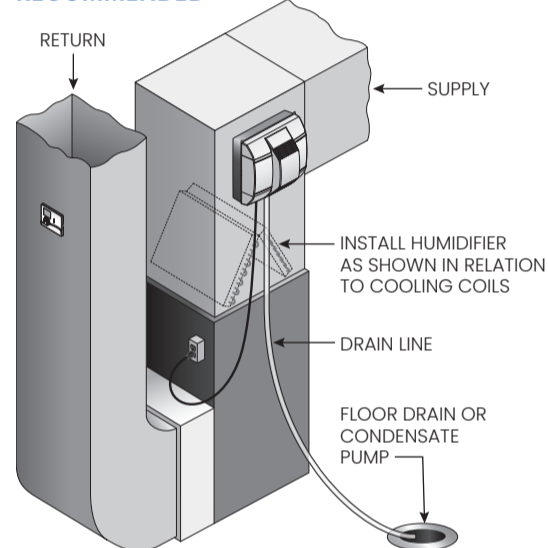
- Mounting screws (sheet metal screws)
- Water supply line (1/4" O.D. copper)
- Drain line (1/2" I.D. hose)
- Low voltage wire (18-22 gauge)
- Model 50 current sensing relay (if required)

INSTALLATION OPTIONS

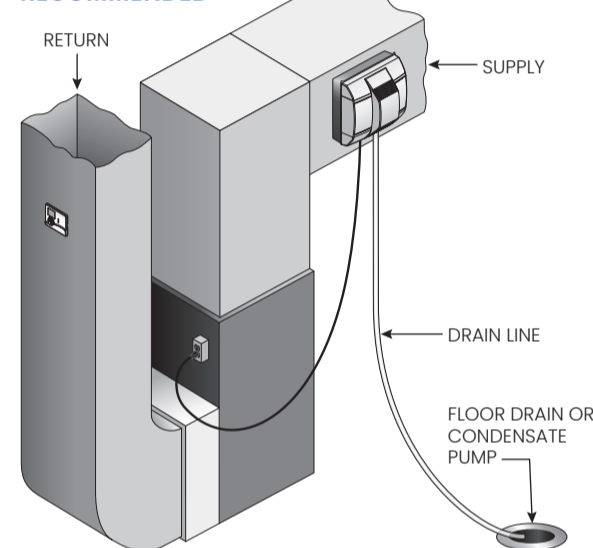
AprilAire Model 700 and 700M can be installed on either the supply plenum or cold air return of a forced air handling system. The humidifier dimensions and serviceability must be considered when selecting the best location for the humidifier.

Hot water is recommended (140°F max) for maximum evaporative capacity. It is also required when the Blower Activation Feature is used with an Automatic Digital Humidifier Control, when mounted on a heat pump system, or when the humidifier is mounted on a cold air return. The humidifier functions with cold, hot, softened, or unsoftened water.

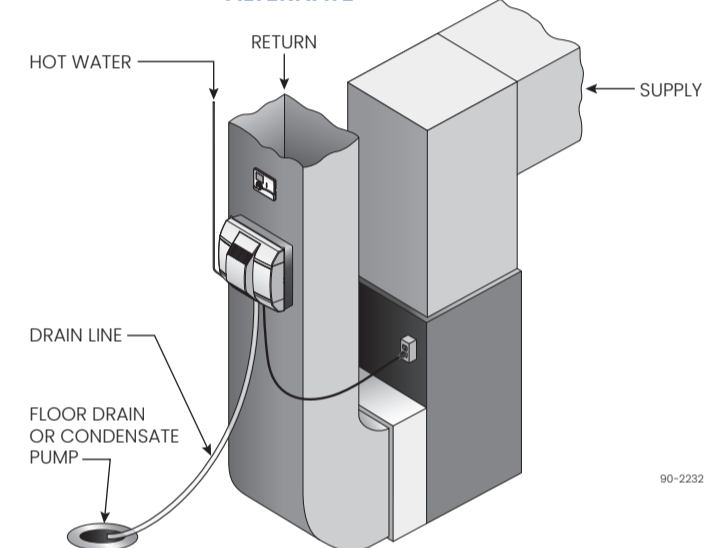
RECOMMENDED



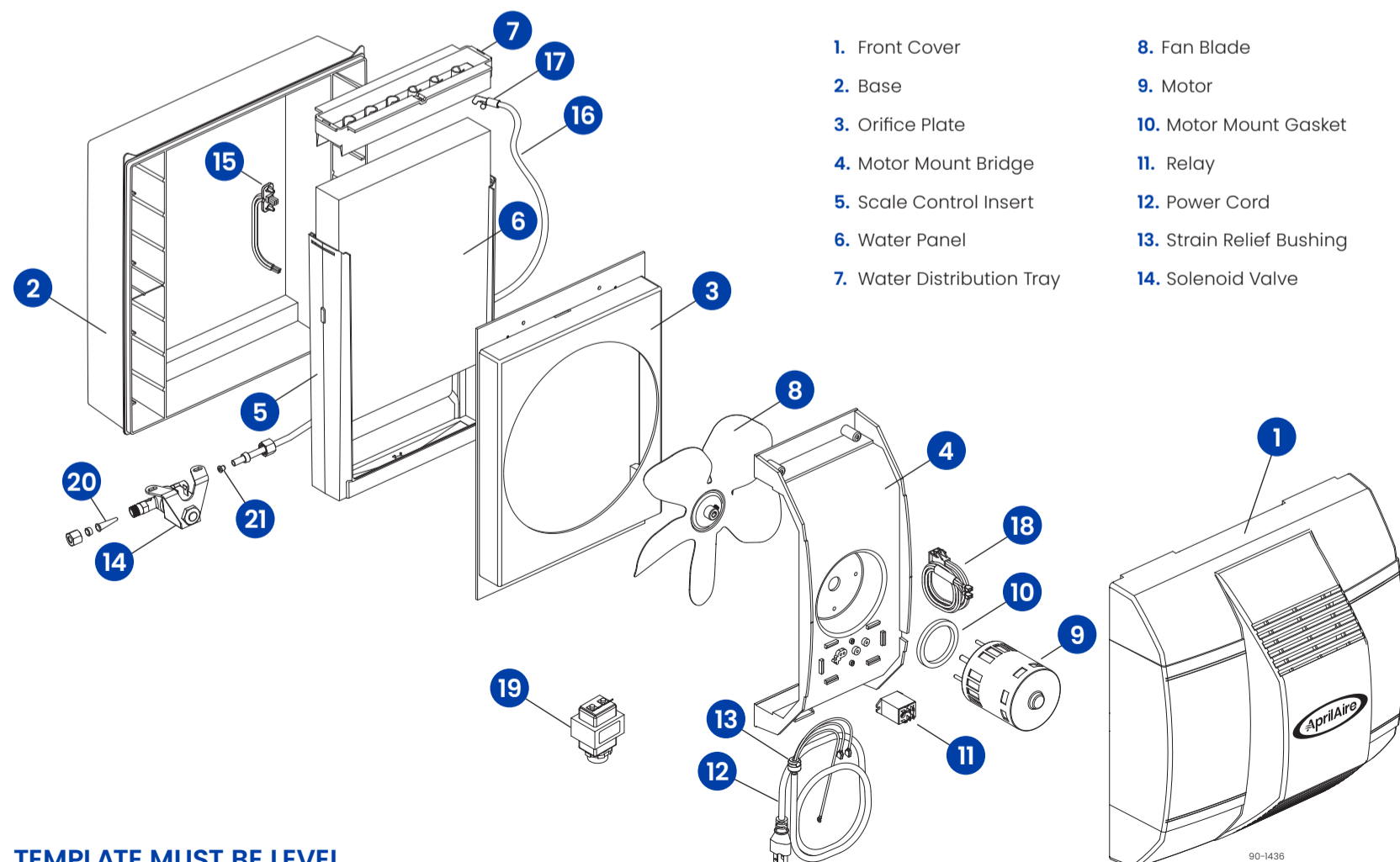
RECOMMENDED



ALTERNATE

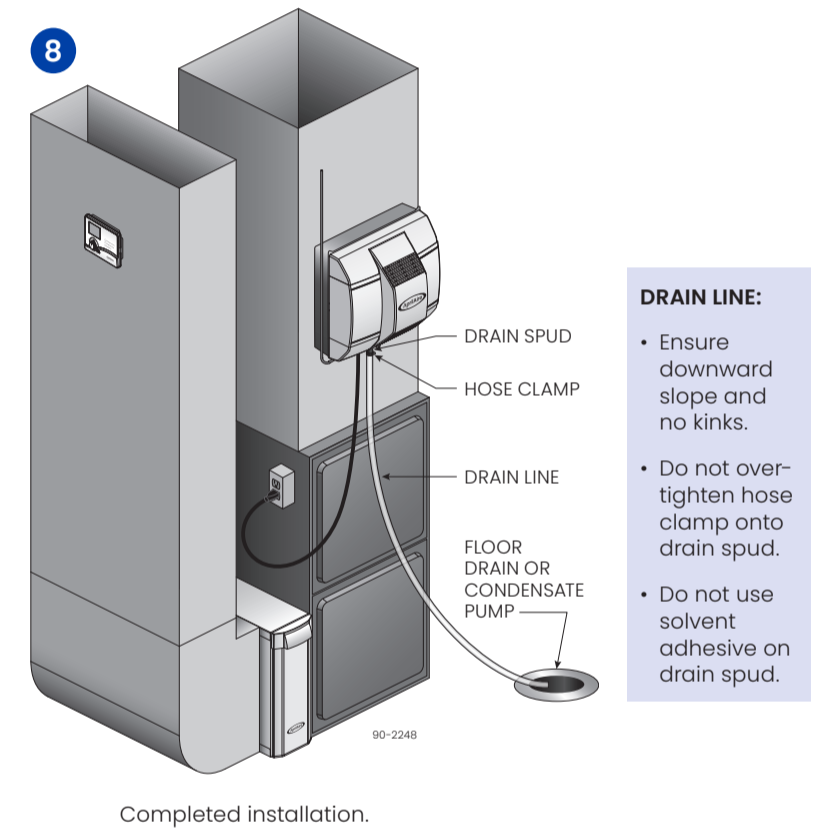
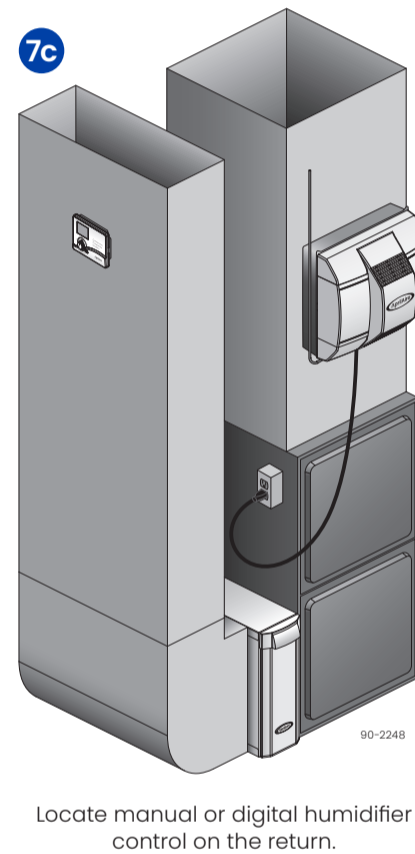
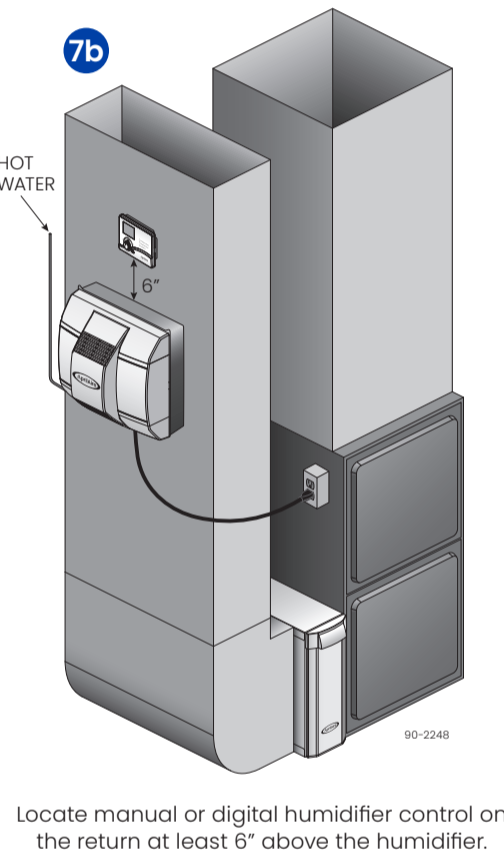
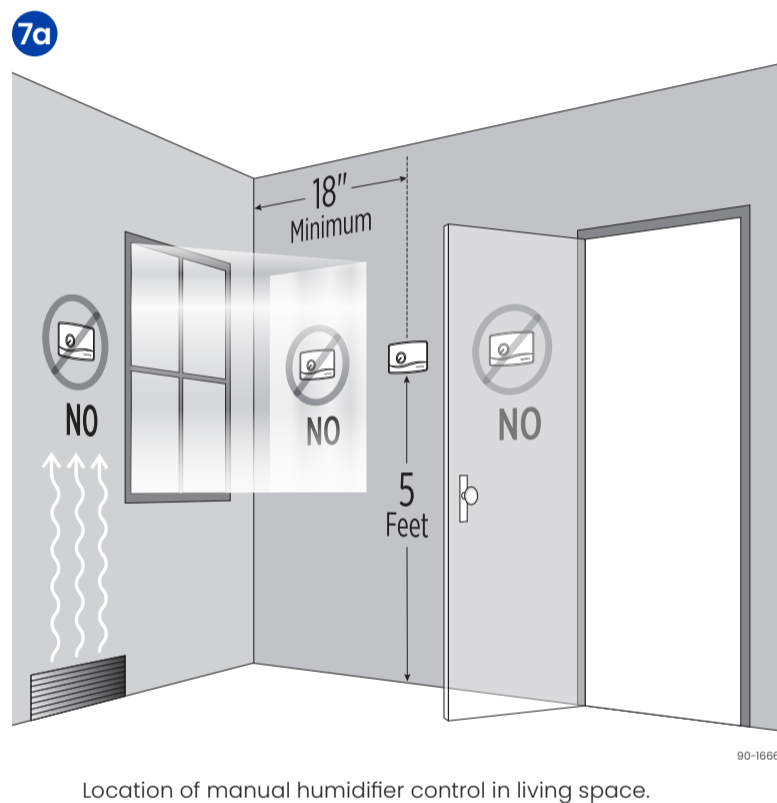
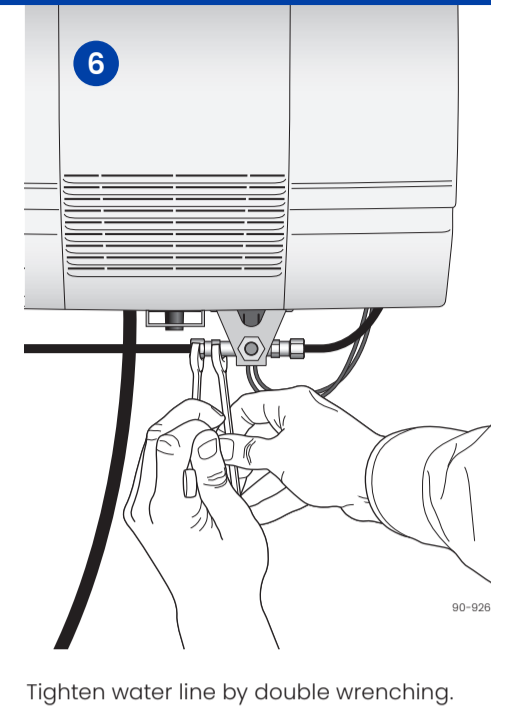
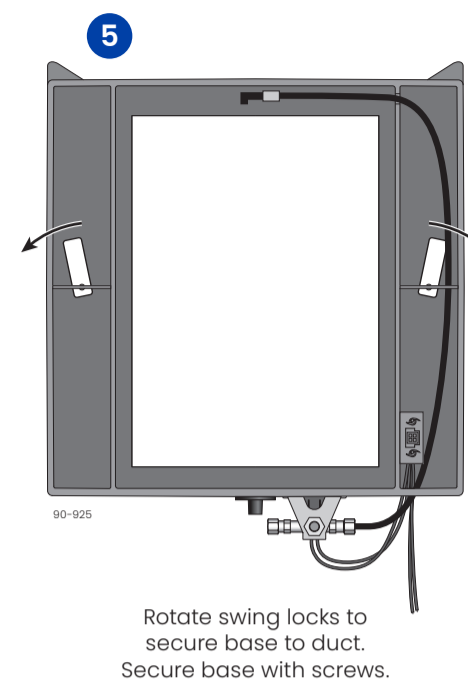
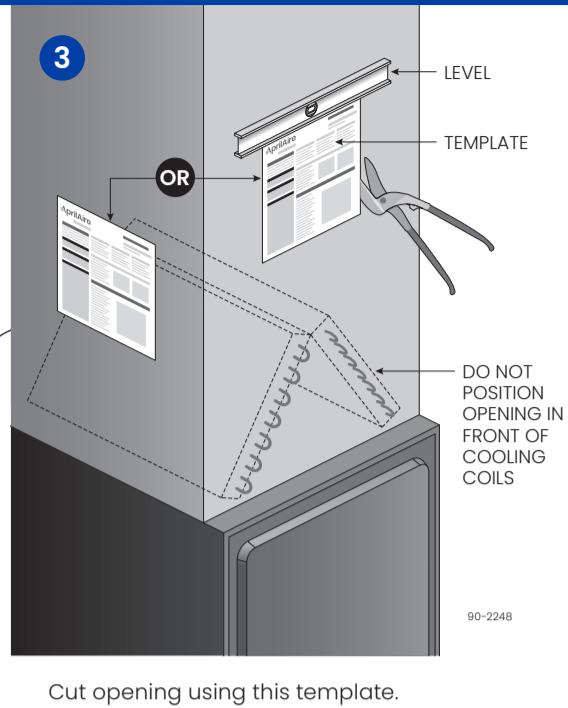
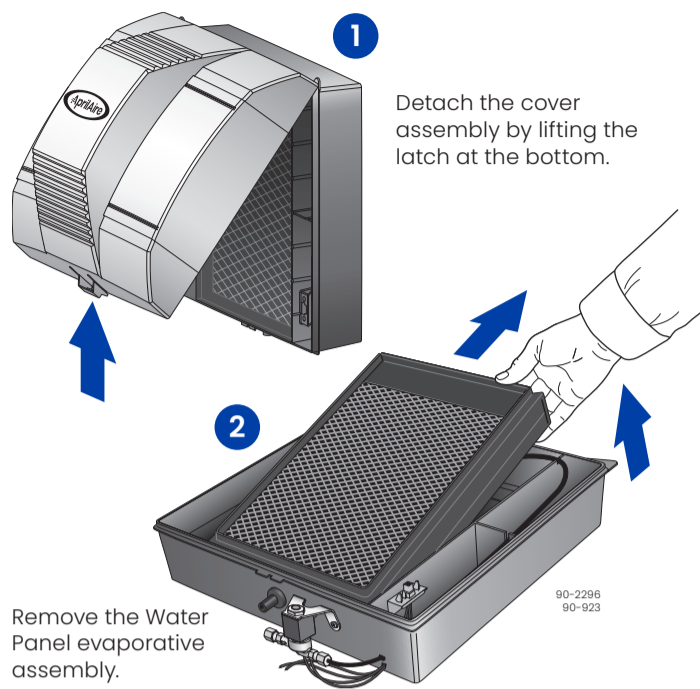


PARTS LIST

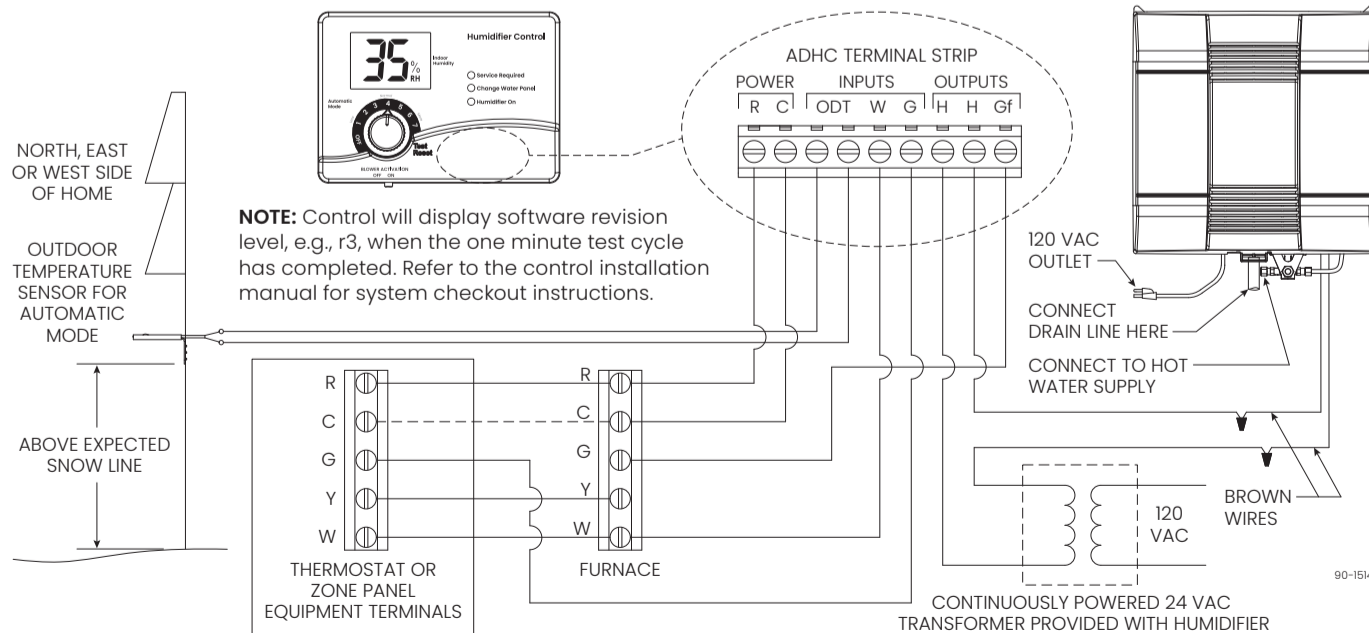


TEMPLATE MUST BE LEVEL

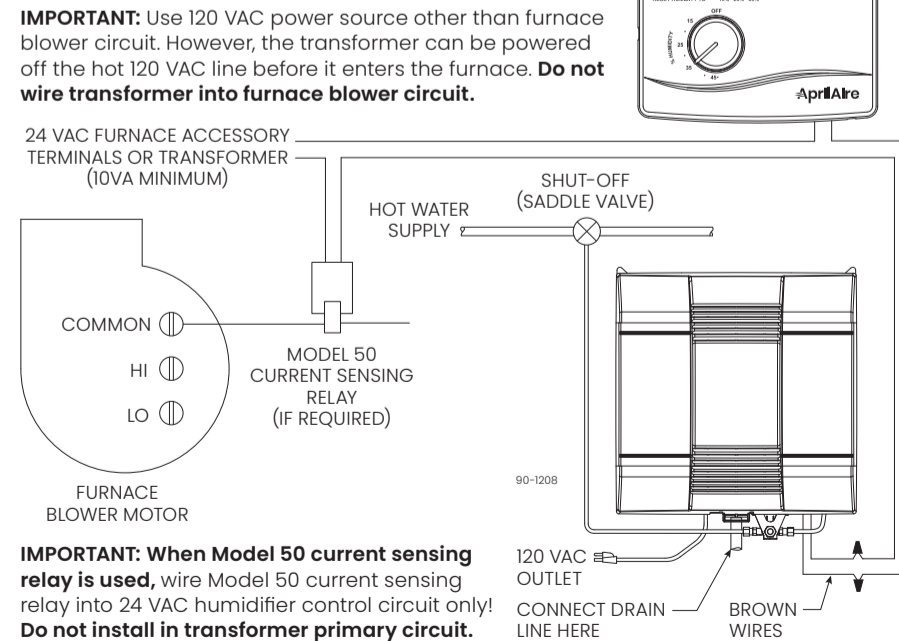
INSTALLATION INSTRUCTIONS



MODEL 700 DIGITAL HUMIDIFIER CONTROL WIRING



MODEL 700M MANUAL CONTROL WIRING



INSTALLATION CHECKLIST

- Saddle valve is fully open.
- All plumbing connections are watertight.
- Unit is plugged into 120 VAC outlet.
- Humidifier functions properly.
- Owner's manual has been given to homeowner.