

AprilAire[®]

Air Cleaner

SPECIFICATION SHEET

Model 5000

Electronic Air Cleaner

FEATURES

- Silent operation – none of the “snapping” or “popping” that’s common with plate-type EACs
- Minimal maintenance required – simply replace media annually and wipe off internal components
- Made of corrosion-resistant heavy gauge galvanized steel
- UL classified cabinet and media
- 5-year warranty on cabinet from date of installation
- Unit is equipped with 6ft. grounded cord with plug
- Consumes less than 50 watts with high voltage active



BENEFITS

- Offers equipment protection from dust buildup
- Assured equipment performance
- Superior performance over one inch panel filters and four inch cartridge filters

PRODUCT SPECIFICATIONS

Model 5000	Nominal Size (In Inches)	Shipping Weight	Replacement Media	Resistance @ Airflow Volume (Inches w.c. @CFM)	Shipping Weight (full carton)	Filtering Media Area
	16 x 25	38 lbs.	Model 501	.05" @600 .17" @1400 .08" @800 .21" @1600 .10" @1000 .25" @1800 .14" @1200 .29" @2000	20 lbs.	72.3 sq. ft.

ELECTRICAL SPECIFICATIONS

Voltage	Frequency	Current
120VAC ±15%	60Hz	0.3A

REMOVAL EFFICIENCY (Based on Particle Size)

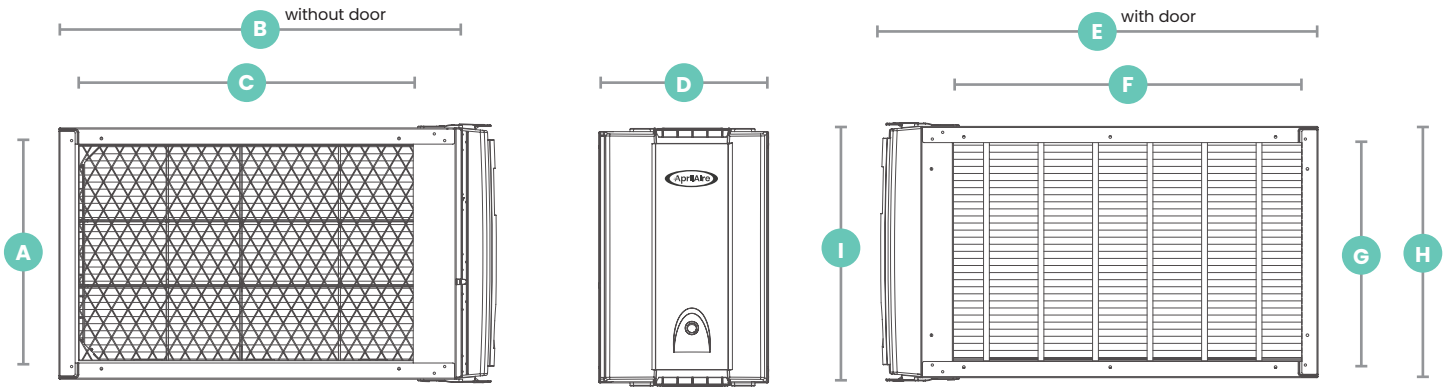
	0.3–1.0 Microns	1.0–3.0 Microns	3.0–10 Microns
EAC	89%	95%	98%

Test Method - AHRI 680-2009

INLET SIDE RETURN DUCT CONNECTION

FRONT

OUTLET SIDE FURNACE CONNECTION



Dim.	Description	Model 5000
A	Inlet Opening Height	15 1/2" (394mm)
B	Outer Housing Depth without Door	28 1/8" (714mm)
C	Inlet Opening Width	23 7/8" (606mm)
D	Unit Width	12" (305mm)
E	Outer Housing Depth with Door & Clips	31" (787mm)
F	Outlet Opening Width	24 5/8" (625mm)
G	Outlet Opening Height	15 1/2" (394mm)
H	Unit Height at Back	17 3/4" (451mm)
I	Unit Height at Front	18 3/8" (467mm)



The HVAC blower moves air throughout the home and pulls airborne contaminants through the return air ducts, trapping them into the filter.

