

AprilAire®

Humidifier

FEATURES

- Whole-home fan-powered humidifier
- Perfect for homes heated with boilers, mini-splits, radiant heat, and other ductless systems
- Simple mounting and installation
- Our quietest self-contained evaporative humidifier
- Quick water panel replacement at bottom of unit
- Ducted return and ducted supply available
- Includes Model 65 digital humidistat, saddle valve, 6' power cord, mounting brackets
- 5-year warranty

SPECIFICATIONS

Capacity	13 gpd at 80 ft. effective hard duct length for homes up to 3,900 sq ft with tight construction*	
Voltage, phase, frequency	120VAC, 1 phase, 60 Hz	
Airflow @ varying E.S.P. (external static pressure - dry coil)	0.0" w.c.	270 CFM
	0.1" w.c.	255 CFM
	0.15" w.c.	250 CFM
	0.2" w.c.	245 CFM
Current draw	0.7 Amps	
Noise	55 dBA (hard duct) 49 dBA (flex duct)	
Dimensions: (housing and transitions)	Width 14 3/8"	Height 12 1/2"
	Length 22 3/32"	
Weight	29.2 lbs.	
Inlet air operating conditions	Minimum 65°F	
Inlet water operating conditions	Minimum 120°F	

*Based on AHRI Guideline F Humidifier Sizing. Can satisfy up to a 2,000 sq ft home with average construction.

SPECIFICATION SHEET

Model 300

Self-Contained Evaporative Humidifier
For Homes Heated with Boilers, Mini-Splits, Radiant Heat, and Other Ductless Systems

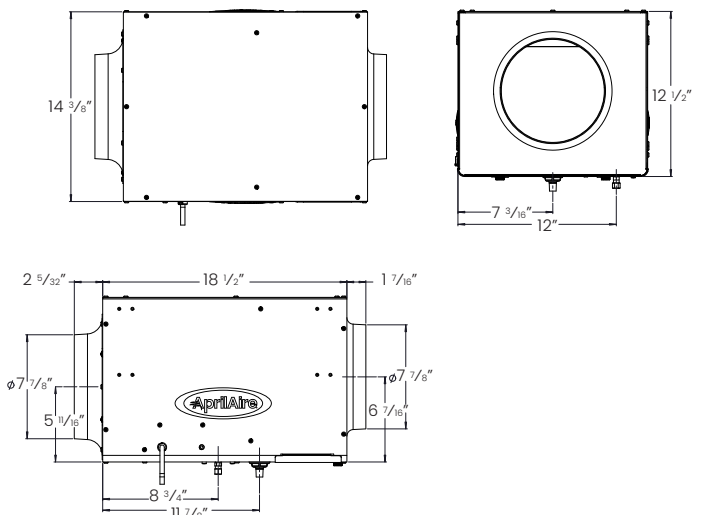


PRINCIPLE OF OPERATION

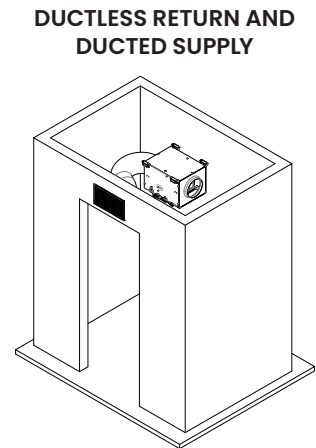
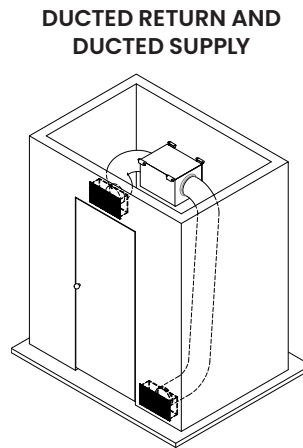
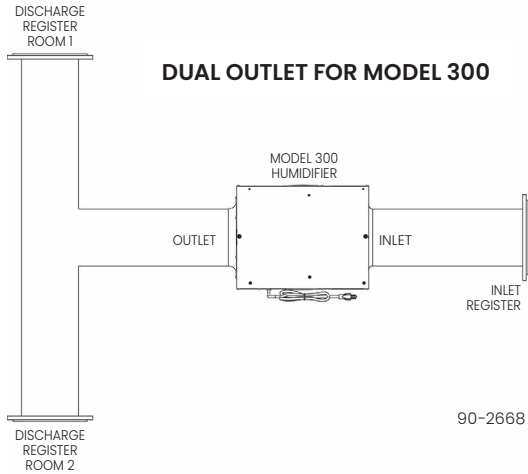
The AprilAire Model 300 is a whole-home, stand-alone, fan-powered evaporative humidifier. It is designed to draw air into the unit from the home, where it then passes over a wetted water panel to become humidified. The humidified air then returns to the home making the living space healthier and more comfortable for occupants. Humidification continues until the set point on the humidistat is reached. A time delay function keeps the fan running for several minutes after the set point is reached to dry out the water panel. When the humidistat falls below set point, the humidifier begins another cycle.

APPLICATION

The Model 300 is perfect for humidifying homes that do not have forced air systems. The unit is easily mounted onto joists, and the ducts can each be fed into the living space through a grille (not included).



INSTALLATION OPTIONS FOR THE MODEL 300



Disclaimer:

- Using multiple discharge registers may lead to unequal humidity levels. Air flow favors the path of least resistance, so shorter, straighter duct runs will receive more humidified air than runs that are longer and have more bends or transitions. Over time, humidity will equalize throughout the living space.
- Discharge registers should be placed on an interior wall.

The unit can be mounted off the joists or in between joists which are spaced at least 14.5" apart. Hard duct or flex duct can be used. The sound of the unit decreases when using flex duct.



DEDICATED MONITORING



Model 65
Dedicated monitoring and control of the humidifier from the living space.

MODEL 65 SPECIFICATIONS	
Electrical	External
Input voltage and current	Voltage: 24VAC (supplied by humidifier control board)
Control	External
Control range	10%-50% RH
Accuracy	±5%
Differential	3%
Operating ranges	40°F - 99°F 5% - 90% RH (non-condensing)

