

AprilAire[®]

Air Cleaner

INSTALLATION & OPERATING INSTRUCTIONS

Models 1213 & 1413

Air Cleaner Upgrade Kit

Metal Rail System + Healthy Air 13 Filter

⚠ WARNING

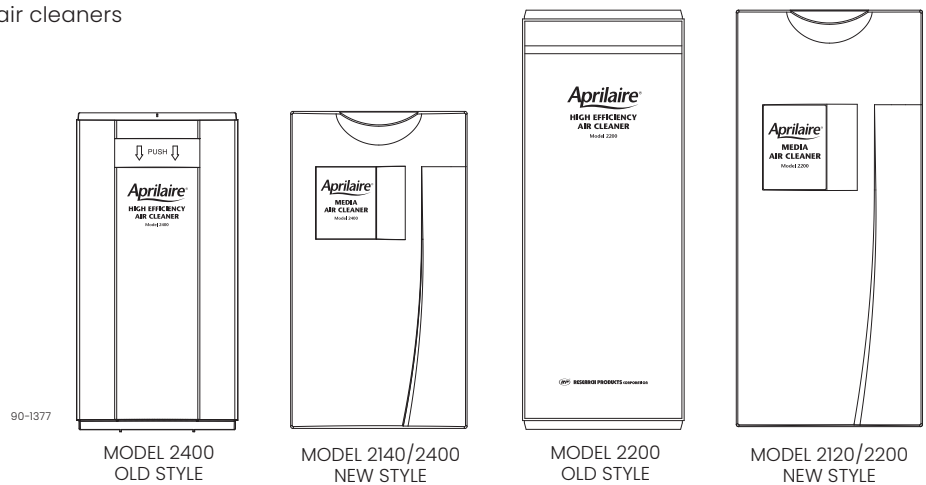
Sharp edges may cause injury from cuts. Use caution when handling sheet metal.

⚠ CAUTION

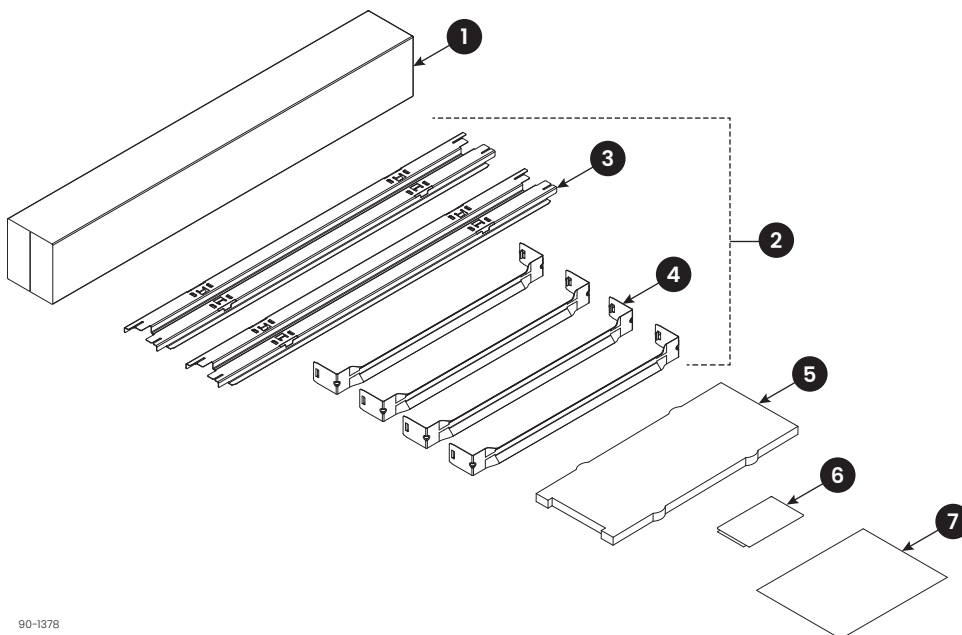
1. Read instructions thoroughly before beginning installation.
2. Do not install the upgrade kit in a location where the filter will be directly exposed to UVC light because it will degrade the filter.

APPLICATION

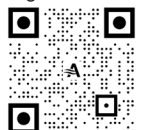
Fits all Model 2400 air cleaners and Model 2200 air cleaners produced after 1985 (see illustrations at right).



PACKAGE CONTENTS

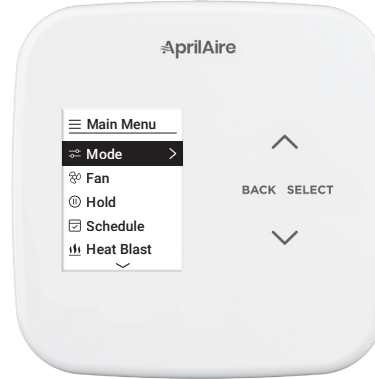


- 1 Filter (Qty 1)
- 2 Metal Rail System
- 3 Metal Base Rail (Qty 2)
- 4 Metal Rail Support (Qty 4)
- 5 Styrofoam Door Liner (Qty 1)
NOTE: Door liner is in the bottom of the box – do not discard.
- 6 Door Label (Qty 1)
- 7 Installation & Operating Instructions (Qty 1)

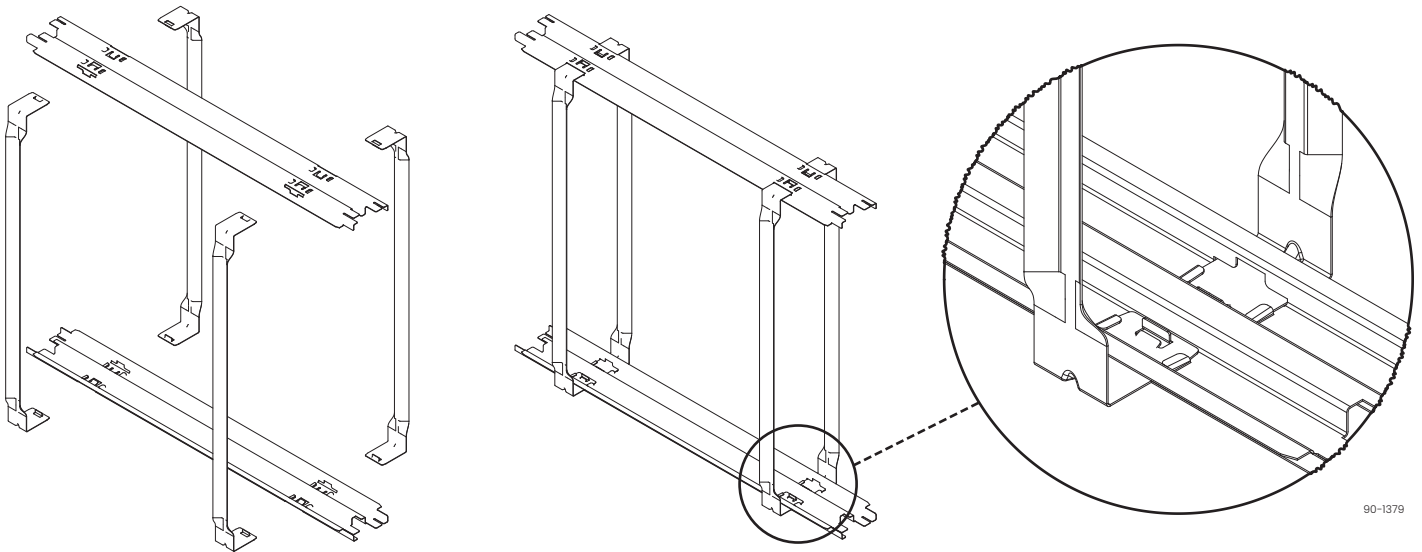


INSTALLATION

1. **IMPORTANT:** Turn the thermostat mode to OFF and fan to AUTO.



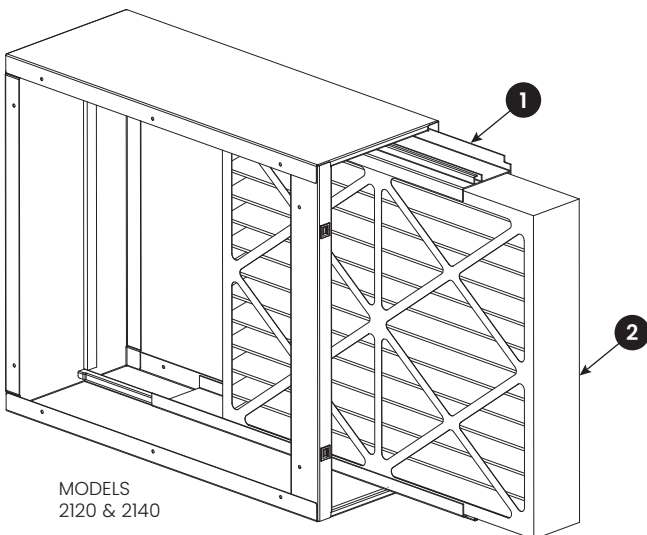
2. Assemble the metal rail system by snapping rail supports into base rails as shown – eight (8) places.
Make sure the support slides in and hits the center of the base rail.



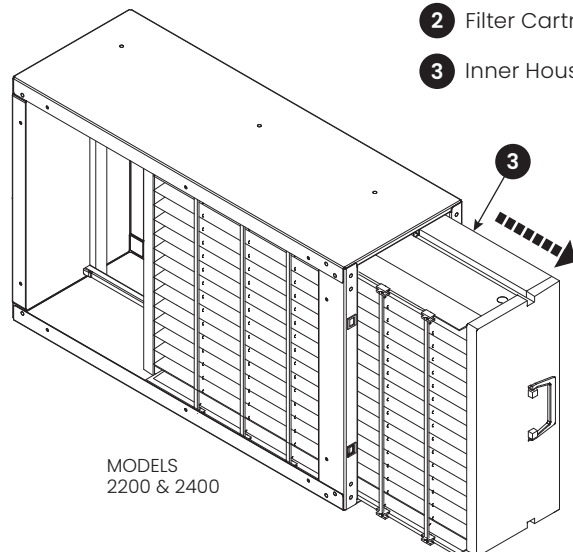
3. Remove the door from the air cleaner.

4. **Models 2120 & 2140:** Remove and discard the filter cartridge and the two black filter rails.
Models 2200 & 2400: Remove and discard the inner housing assembly.

- 1 Filter Rails
- 2 Filter Cartridge
- 3 Inner Housing Assembly

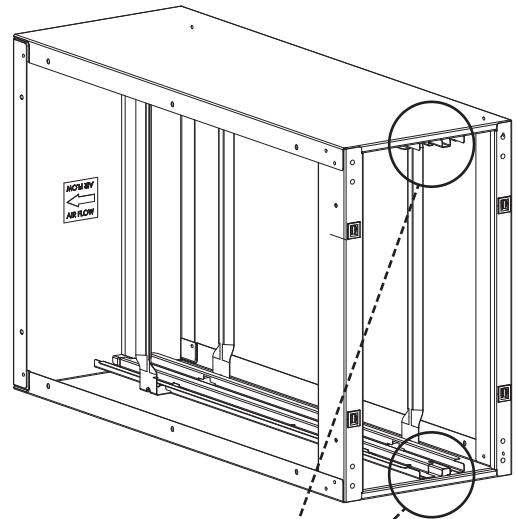
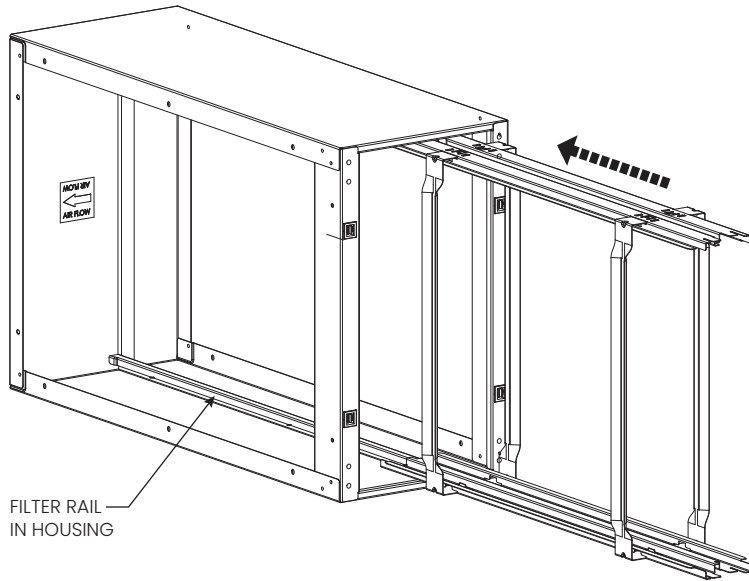


MODELS
2120 & 2140



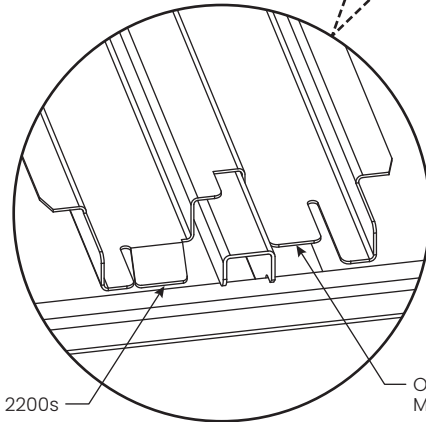
MODELS
2200 & 2400

5. Align the metal rail system with the filter rails in the air cleaner housing and slide the assembly completely into the air cleaner.



90-1381

6. Bend the appropriate locking tab to lock the metal rails into place at the top and bottom.

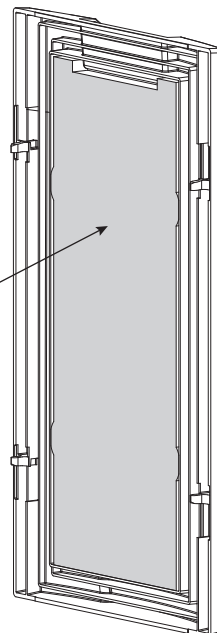


NEW STYLE
MODEL 2400 & ALL 2200s

OLD STYLE
MODEL 2400

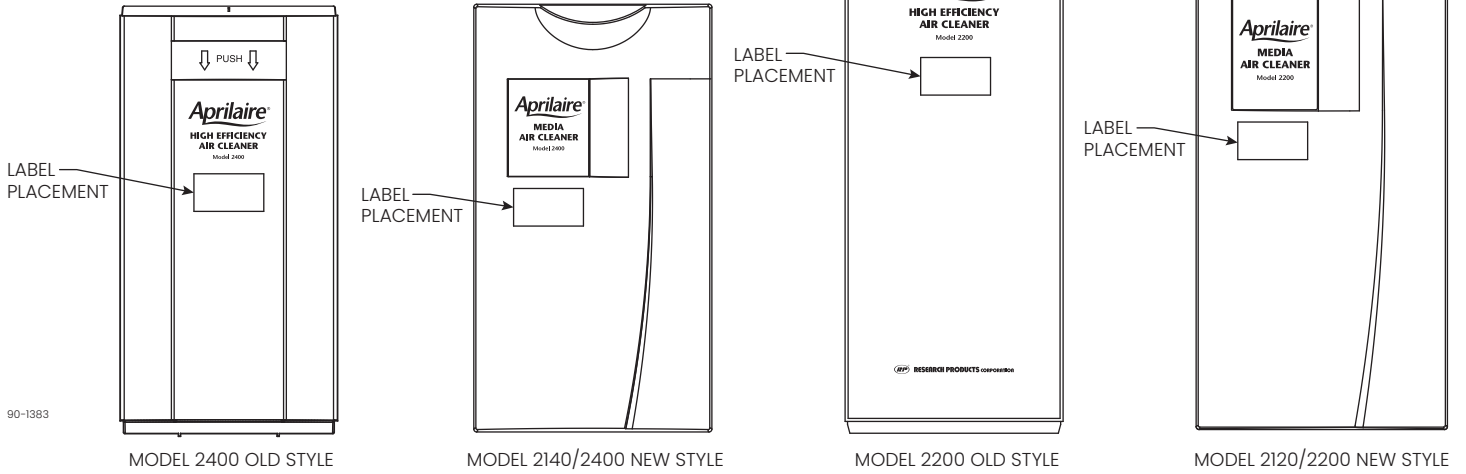
7. For "New Style" Model 2120/2200 and 2140/2400 air cleaners (see illustration at right), press the Styrofoam door liner into the center of the door. For "Old Style" air cleaners, the door liner is not needed.

INSTALL DOOR LINER
("NEW STYLE" AIR CLEANERS ONLY)

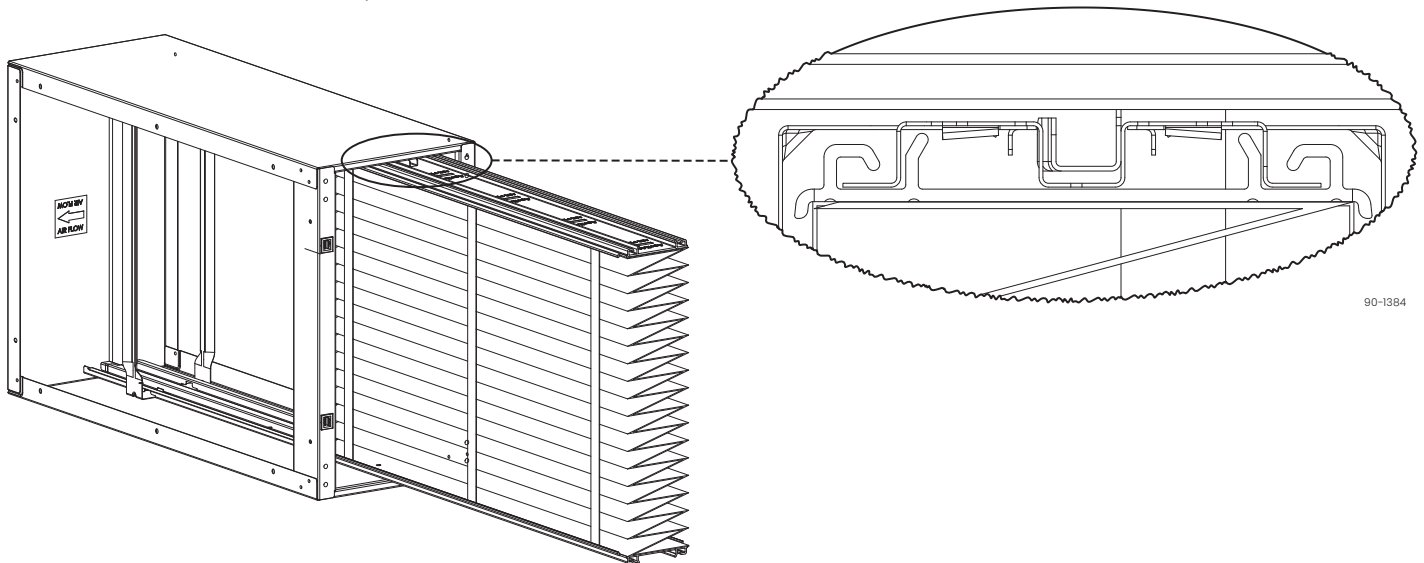


90-1382

8. Apply the door label to the front of the door as shown.



9. Install the filter into the metal rail system using the directions on the filter sleeve to ensure the filter is in the correct orientation; the outlet side of the filter is the expanded metal side.



10. Install the air cleaner door.

11. Return the thermostat mode and fan to the desired setting.

