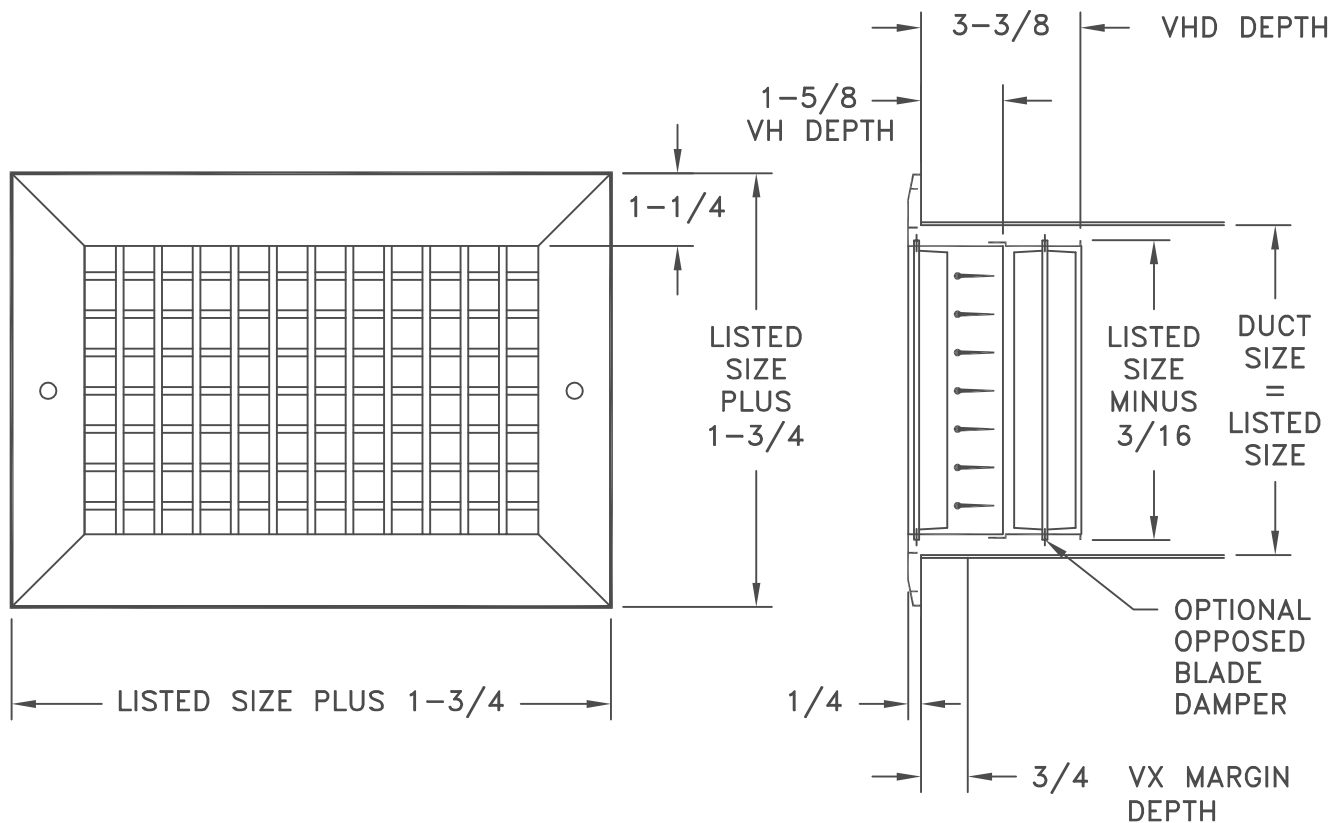


- EXTRUDED ALUMINUM CONSTRUCTION
- STYLES WITH FRONT BANK VERTICAL:
 - VX SINGLE DEFLECTION GRILLE
 - VH DOUBLE DEFLECTION GRILLE
 - VD SINGLE DEFLECTION WITH DAMPER
 - VHD DOUBLE DEFLECTION WITH DAMPER
- BARS ARE ON 3/4 INCH CENTERS AND INDIVIDUALLY ADJUSTABLE
- CHANNEL BRACE IS ADDED WHEN EITHER DIMENSION IS 48 INCHES OR OVER
- SCREW HOLE LOCATIONS STANDARD UNLESS OTHER WISE SPECIFIED
- FOR SCREW HOLE LOCATIONS SEE SD-9140
- MINIMUM SIZE: 6 X 4
- MAXIMUM SIZE: 72 X 48 OR 48 X 96 ONE PIECE CONSTRUCTION
- AVAILABLE IN 1 INCH INCREMENTS
- FINISH: WHITE (W) ENAMEL OR SATIN ANODIZED (SA)



| | | |
|-------------------|---------------------|---|
| JOB NAME: _____ | SUBMITTED BY: _____ | DATE: 01/06/2014 SD-9112 |
| LOCATION: _____ | | V SERIES Extruded Aluminum Grilles And Registers Adjustable Vertical And Horizontal Face Bars |
| ARCHITECT: _____ | | |
| ENGINEER: _____ | | |
| CONTRACTOR: _____ | | |