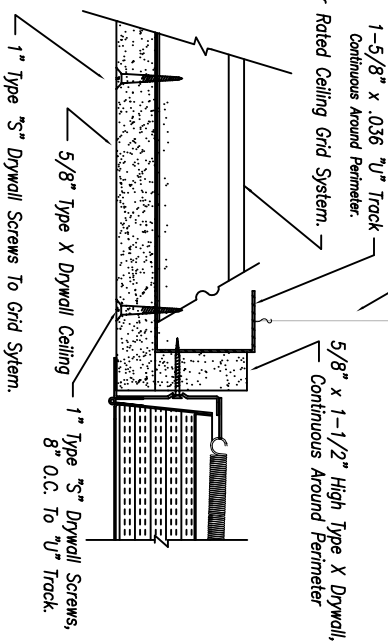


SECTION B - B

## Three Hour Rated Non-combustible Floor/Ceiling Installation.

(WARDNCK HERSEY 1 & 3 HR. LABELS)

#12 Ga. Wire Ties To Framing Above At All Four Corners.



1" Type S" Drywall Screws To Grid System.

5/8" Type X Drywall Ceiling

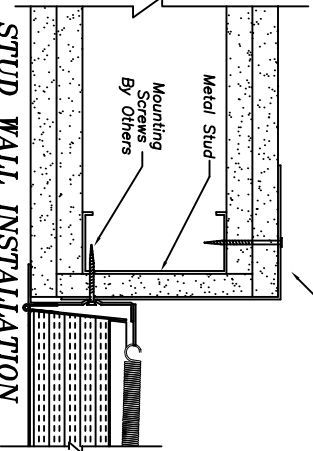
1" Type S" Drywall Screws, 8" O.C. To U" Track.

1" Type S" Drywall Screws To Grid System.

## STANDARD SIZES and PRODUCT NUMBERS

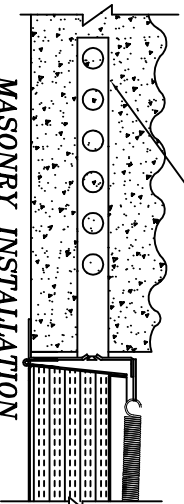
DOOR SIZE	FRAMED OPENING	PRODUCT NUMBER	No. PADDLE LATCHES	MASONRY ANCHORS
8 X 8 *	8-1/2 X 8-1/2	3218-010	1	4
12 X 12	12-1/2 X 12-1/2	3218-012	1	4
14 X 14	14-1/2 X 14-1/2	3218-014	1	4
16 X 16	16-1/2 X 16-1/2	3218-016	1	4
18 X 18	18-1/2 X 18-1/2	3218-018	1	4
12 X 24	12-1/2 X 24-1/2	3218-020	1	4
24 X 24	24-1/2 X 24-1/2	3218-024	1	4
24 X 30	24-1/2 X 30-1/2	3218-022	1	4
24 X 30	24-1/2 X 30-1/2	3218-023	1	4
30 X 30 *	30-1/2 X 30-1/2	3218-030	1	4
30 X 30 *	30-1/2 X 30-1/2	3218-032	1	4
32 X 32 *	32-1/2 X 32-1/2	3218-032	1	4
32 X 36	32-1/2 X 36-1/2	3218-027	1	6
24 X 36	24-1/2 X 36-1/2	3218-028	1	8
36 X 36 *	36-1/2 X 36-1/2	3218-036	1	8
24 X 48 *	24-1/2 X 48-1/2	3218-031	2	8
36 X 48 *	36-1/2 X 48-1/2	3218-038	2	8
48 X 48 *	48-1/2 X 48-1/2	3218-048	2	8

Anchor Clip



STUD WALL INSTALLATION  
UL 1-1/2 HR (B) LABEL

- - 8 x 8 IS FOR WALL APPLICATION ONLY
  - ♦ - INTENDED FOR VERTICAL (WALL) APPLICATION ONLY
- NOTE: STAINLESS STEEL FIRE-RATED DOORS ARE AVAILABLE IN A MAXIMUM DIMENSION OF 36'



MASONRY INSTALLATION  
UL 1-1/2 HR (B) LABEL

## UNIVERSAL FIRE RATED ACCESS DOOR (UFRAD)

QUANTITY	SIZE	DOOR PANEL	FRAME
SEE CHART		20 GA.	16 GA.

# MICOR

COMMERCIAL PRODUCTS GROUP  
484 Thomas Drive  
Bensenville, IL 60106  
800 624-8642 (fax) 630-766-5259

INSULATED FIRE RATED DOORS for WALLS and CEILINGS  
UL and WARDNCK HERSEY APPROVED

DEALER	
PROJECT	
LOCATION	
ARCH	
COUNT'D	
DATE	DRAWN D.W.M.
REV	JOB NO.
2000/UFR-sub03	SHEET