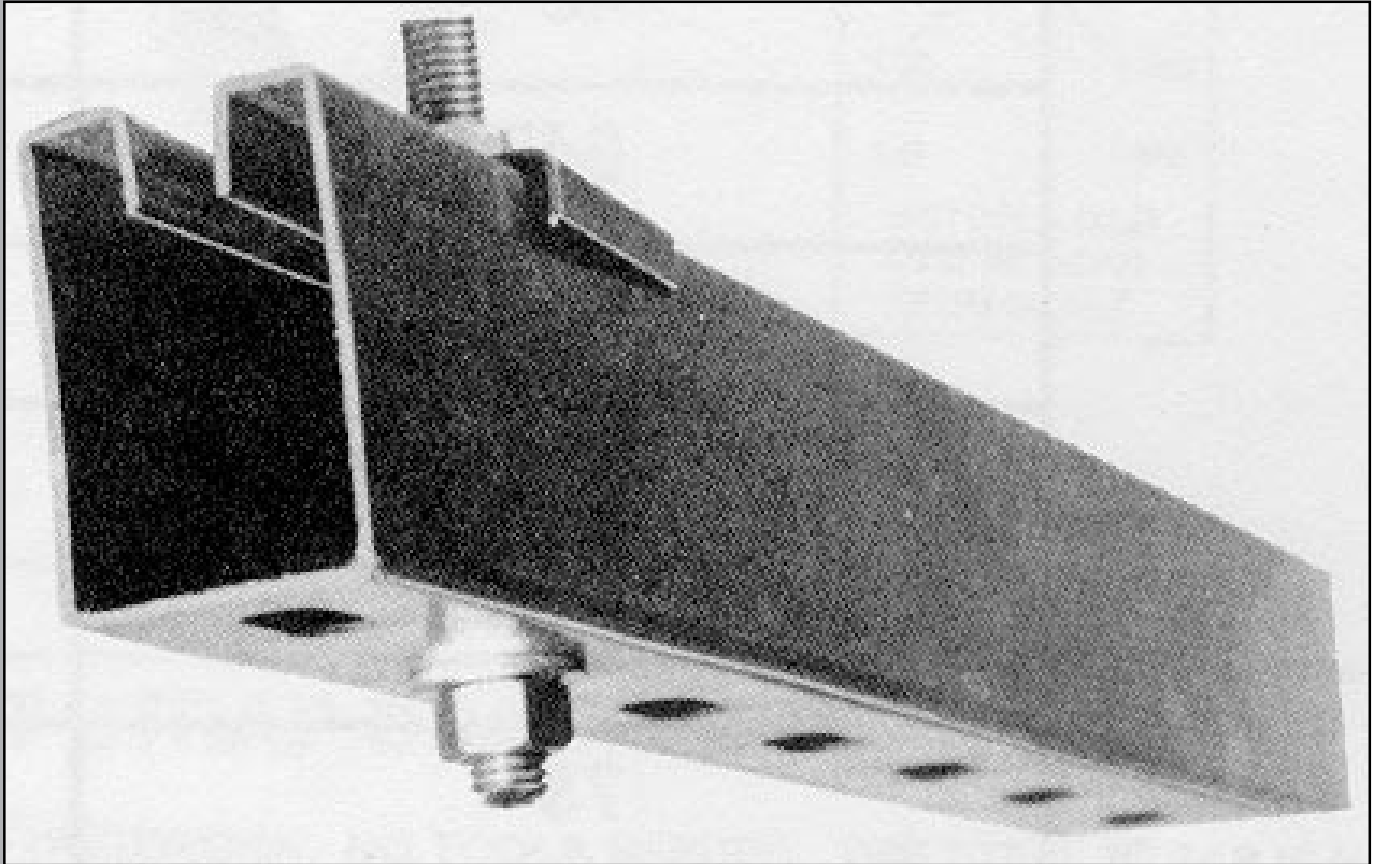


D U C T M A T E

Trapeze Duct Hanger



HANGERS & REINFORCEMENTS

Specialized Duct Support Channel

Fast, No Waste, Cost Effective!

- Hot-dipped galvanized
- Eliminates hard to cut and punch angle iron
- Ship directly to job site
- Easy to cut
- Lightweight
- Neat, professional appearance



DUCTMATE[®]

Industries, Inc.

Trapeze Duct Hanger

Specialized Duct Support Channel

DESCRIPTION

Pre-punched channel section for supporting ductwork.

BASIC USE

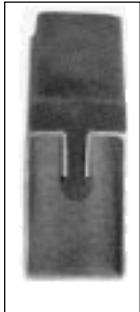
To suspend rectangular or oval ductwork

SPECIAL CHARACTERISTICS

Neat, professional appearance

Highly competitive in pricing

Isolation pads (for noise reduction) and beam clamp available:



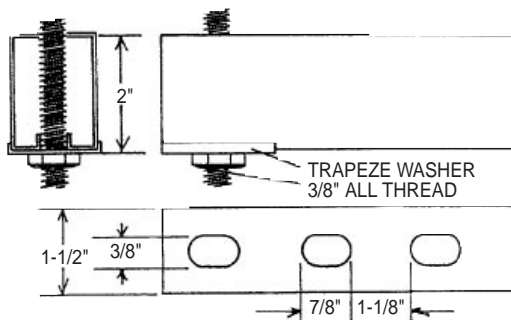
Heavy neoprene isolation pads can be inserted into the hanger profile if sound insulation is required.



Beam clamp fastens hanger profile to structural members up to 1 1/2" thick

PACKAGING INFORMATION

PART NO.	PACKING UNIT	WEIGHT BUNDLE
TRAPEZE	300' Bundles 75 washers shipped with 300'	360 lbs.
DM2735AS	100 Pieces	10 lbs.
TBCLAMP	100 Pieces	10 lbs.



PRODUCT GUARANTEE

All component parts of the Trapeze Duct Hanger are guaranteed against defective material.

INSTALLATION INSTRUCTIONS

1. Cut trapeze duct hanger to size.
2. Slide all thread through pre-punched oval holes. Slide on washers (included with each bundle), tighten nut.
3. Space hanger rods according to load chart below:

TRAPEZE LOAD CHART

	d=2 inches P (lbs)	* d-6 inches P (lbs)
L = 18"	1100	850
24"	1100	850
30"	1100	840
36"	1100	830
42"	1100	810
48"	1100	780
54"	1100	735
60"	1100	680
66"	1100	600
72"	1100	520
78"	680	400
84"	190	275
96"	---	---
108"	---	---

L = Distance between hanger rods

d = Distance between hanger rods and ductwall. Above tables assume duct is centered between hangers.

P = Total weight of duct including reinforcements, connections, insulation, etc.

NOTE: For d greater than 2 inches, the 6 inch table MUST be used.

See page 4-12, fig. 4-5 of SMACNA HVAC Duct Construction Standards - metal and flexible for calculation method.

• This table is similar to table in SMACNA in that it assumes a 6" space between duct and hanger rod.



E. MONONGAHELA, PA
1502 Industrial Drive
E. Monongahela, PA 15063-9709
800-245-3188
724-258-0500
FAX: 724-258-5494

LODI, CA
810 S. Cluff Avenue
Lodi, CA 95240-3141
800-344-3270
209-333-4680
FAX: 209-333-4678



Distributed By:

www.ductmate.com