



Hercules
INDUSTRIES

COMMERCIAL FABRICATION DIVISION

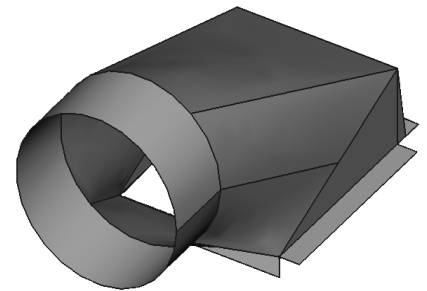
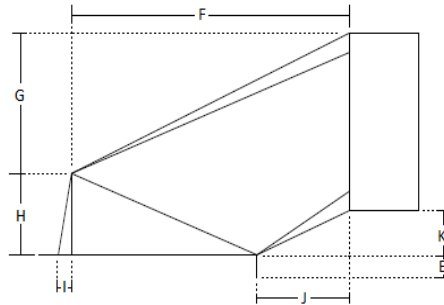
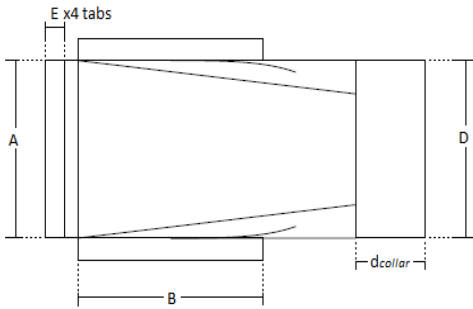
www.herculesindustries.com

1310 W. Evans Ave. Denver, Colorado 80223

Tel. 303 937-1000 Fax. 303 937-0903

Toll Free. 1 800 356-5350

Top Take Off



ITEM	D	d _{collar}	A	B	E	F	H	G	I	J	K
4TTO	3.875	2.625	4.25	5.25	0.75	7.375	2.5	2.625	0.5	3.125	1.25
5TTO	4.875	2.625	5.25	6.25	0.75	8.875	2.75	4.125	1	3.5	2
6TTO	5.875	2.625	6.25	7.25	0.75	9.875	2.75	4.625	0.5	3.5	1.5
7TTO	6.75	2.625	7.25	8.25	0.75	11	2.75	5.625	0.75	3.5	1.625
8TTO	7.875	2.625	8.25	8.25	0.75	9.75	3.125	6.25	0.75	3	1.5
10TTO	9.875	1.875	8.25	10.25	0.75	13	4.625	6.25	0	2	1

*all dimensions are in inches $\pm \frac{1}{4}$ "

- Top Take Offs are constructed of **26Ga.** Galvanized Steel **ASTM-A653-00**
- SMACNA Standards
- All gauges and reinforcements are in compliance with 2005 SMACNA standards for duct fabrication

