



Spiral Connectors



Hercules offers premium spiral connectors that are manufactured in order to function as the connector between two pipes or HVAC lines of varying diameter.

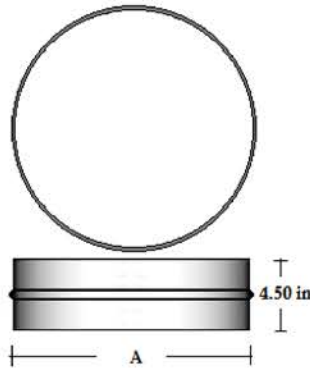
- All gauges and reinforcements are in compliance with 2005 SMACNA standards for duct fabrication

SPECIFICATIONS:

A: Diameter

Seam:

- Spot welded
- Solid welded
- Stitch welded
- Gorelock
- Riveted



Material	Thickness Range	ASTM	Type
Galvanized	0.023-0.047 (24-18 Gauge)	A-653	G-90
Galvanneal	0.023-0.047 (24-18 Gauge)	A-653	A-40
PCD	0.023-0.047 (24-18 Gauge)	A-653	4X4, 4X4
Aluminum	0.032-0.050	B-316	3003 H-14
Stainless Steel	0.023-0.036 (24-20 Gauge)	A-420	304



1-800-870-4305

