

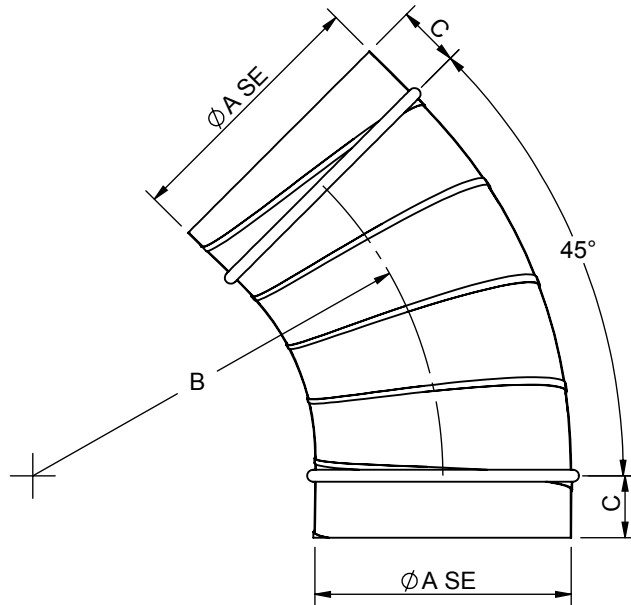
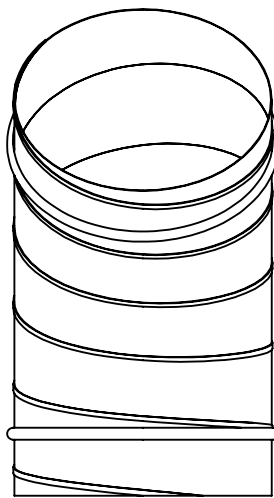
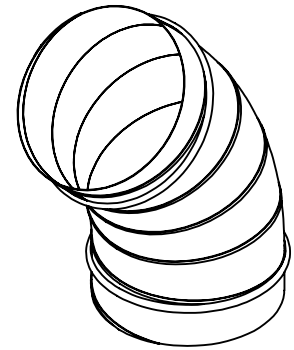


Hercules
INDUSTRIES



*The Products you Need
from the People you Trust*

45 DEG SPIRAL ELBOW 26GA 1.5CL



MATERIAL: 26GA GALVANIZED

SPECIFICATIONS

Pg. 1 of 1

STOCK #	DESCRIPTION	DIMENSIONS (in)					
		A	B	C	D	E	F
547844	4X45 SPIRAL ELBOW 26GA 1.5CL	4	6	2			
547845	5X45 SPIRAL ELBOW 26GA 1.5CL	5	7-1/2	2-3/16			
547846	6X45 SPIRAL ELBOW 26GA 1.5CL	6	9	2-3/8			
547847	7X45 SPIRAL ELBOW 26GA 1.5CL	7	10-1/2	2-9/16			
547848	8X45 SPIRAL ELBOW 26GA 1.5CL	8	12	2-3/4			
547849	9X45 SPIRAL ELBOW 26GA 1.5CL	9	13-1/2	2-15/16			
547850	10X45 SPIRAL ELBOW 26GA 1.5CL	10	15	3-1/8			
547852	12X45 SPIRAL ELBOW 26GA 1.5CL	12	18	3-9/16			
547854	14X45 SPIRAL ELBOW 26GA 1.5CL	14	21	3-15/16			
547856	16X45 SPIRAL ELBOW 26GA 1.5CL	16	24	4-5/16			
547858	18X45 SPIRAL ELBOW 26GA 1.5CL	18	27	4-3/4			

Hercules Industries

Project:

Engineer:

Date: May 17, 2010

Contractor: