



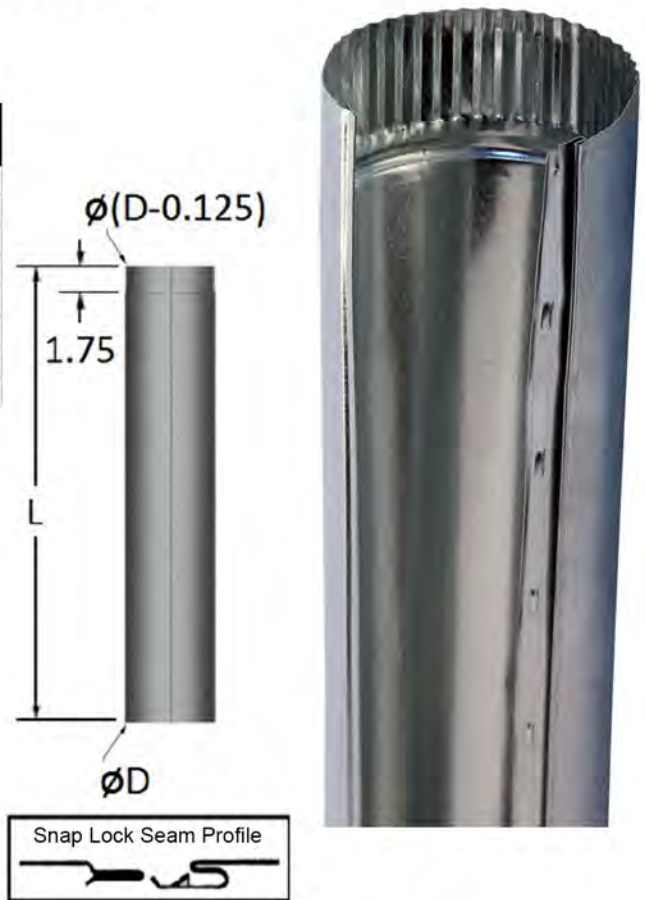
### Snaplock Pipe



Hercules Industries snaplock metal pipe is economical, smooth and practical. It is delivered open and flat snap it together and lock it along the length of the pipe s seam to make your pipe. All pipe & fittings are crimped. It is easily cut to length with shears. provides high quality. Available in 3', 5' and 10' lengths from 3" to 8" diameters.

- Snaplock Pipe constructed of Galvanized Steel ASTM-A653-00
- SMACNA Standards

30 Ga.			26 Ga.			24 Ga.		
ITEM	D	L(ft)	ITEM	D	L(ft)	ITEM	D	L(ft)
33010	3	10	32610	3	10	6245	6	5
43010	4	10	42610	4	10	8245	8	5
53010	5	10	3265	3	5	10245	10	5
63010	6	10	4265	4	5	12245	12	5
73010	7	10	5265	5	5	14245	14	5
83010	8	10	6265	6	5	16245	16	5
3305	3	5	7265	7	5	18243	18	3
4305	4	5	8265	8	5	20243	20	3
5305	5	5	9265	9	5			
6305	6	5	10265	10	5			
7305	7	5	12265	12	5			
8305	8	5	14265	14	5			
9305	9	5	3263	3	3			
10305	10	5	4263	4	3			
12305	12	5	5263	5	3			
3303	3	3	6263	6	3			
4303	4	3	7263	7	3			
5303	5	3	8263	8	3			
6303	6	3	9263	9	3			
7303	7	3	10263	10	3			
8303	8	3	12263	12	3			
9303	9	3	14263	14	3			
10303	10	3	16263	16	3			
			18263	18	3			
			20263	20	3			



\* All gauges and reinforcements are in compliance with 2005 SMACNA standards for duct fabrication.



1-800-870-4305

