



Skuttle®

Indoor Air Quality Products

High-Efficiency Residential Air Cleaner

Contractor's Installation Instructions

Homeowner's Maintenance Instructions

Limited 10-Year Warranty

TO THE HOMEOWNER

THIS PRODUCT MUST BE INSTALLED BY A QUALIFIED HVAC CONTRACTOR.

Experience that Works for You

You have purchased a Skuttle High-Efficiency Air Cleaner, one of the finest residential air filtration systems made in the United States. Skuttle has been manufacturing residential indoor air quality products since 1917, earning widespread acclaim as an industry leader. Our longevity and dedication to our customers have resulted in efficient, high-quality products which are easy to use and easy to maintain.

Maximum Enjoyment of Your Air Cleaner

Please take a few minutes to read this manual. It will:

- familiarize you with the many features and benefits of your new Air Cleaner system;
- help you appreciate the need for minimal, regular maintenance to ensure extended years of efficient operation.

If, at some point, you need parts or service to maintain the superior performance of your Skuttle Air Cleaner, follow these procedures:

- Contact the heating and air-conditioning contractor who installed your unit. (Often, this information can be found on a label attached to your Air Cleaner or heating system.)
- If no label is found, look in the printed or online Yellow Pages under "Heating & Air Conditioning Contractors".
- If these attempts to obtain parts or service are unsuccessful, contact us. Please see back page for contact information.

Principle of Operation

Unfiltered air enters through the return air duct of your home's HVAC system, carrying dust, pollen and other pollutants. The vast majority of these contaminants are filtered out as the air passes through Skuttle's highly-

efficient Air Cleaner media. The deep-pleated design serves two purposes: 1) it minimizes airflow resistance by providing an expanded area for accumulation, and 2) it allows for a longer collection period than standard flat-media filters.

Maintenance

Replacement of the Air Cleaner's pleated media element (i.e., the filter itself) can be determined by periodic visual inspection. The average lifespan of a media cartridge is six months for heating and cooling systems, twelve months for heating-only systems. Actual times vary depending upon system run times, and the amount and type of contaminants present. (You may want to have your HVAC contractor replace the media during the semiannual or annual inspection of your furnace.)

Filter Media

Skuttle's replacement filter media is available in MERV 8 or MERV 11 levels of filtration. MERV 8 is sufficient for average homes. MERV 11 media traps much finer particles, providing a higher level of filtration.

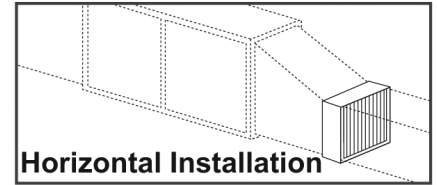
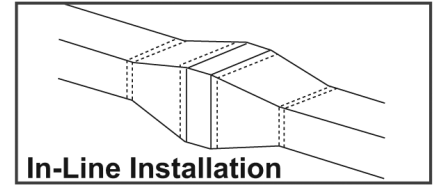
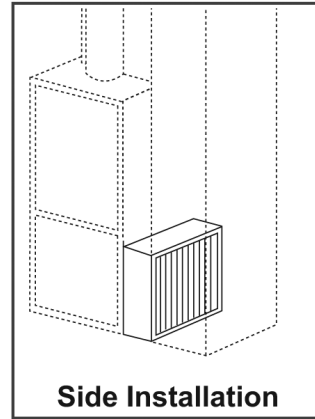
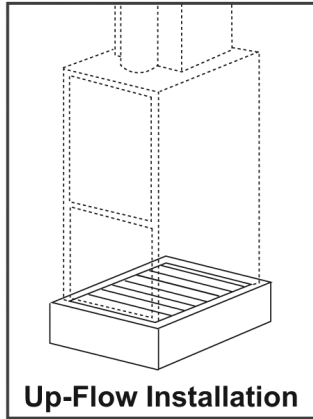
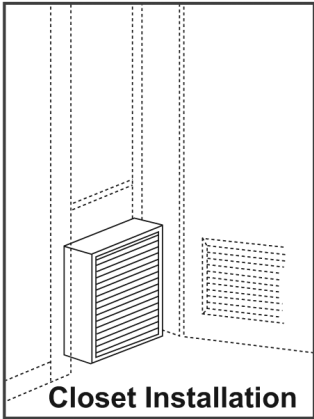
TO THE CONTRACTOR: WARNINGS!

1. Disconnect electrical power to the system before installing the Air Cleaner. Electrical shock may cause serious injury or death.
2. Use care when handling and cutting ductwork. Sharp edges may cause serious injury.
3. Do not cut or drill into air conditioning or electrical accessories. Electrocutation is possible if you come in contact with a live electrical wire; blindness can occur if refrigerant gas contacts your eyes.
4. Do not install UV lighting near the air cleaner. UV light will damage the filter media.

When installing a filtering system in conjunction with ultra-violet sterilizing equipment, consult the UV equipment manufacturer regarding the product's capabilities. Consider installing deflectors to protect the filter materials from UV light exposure.

Selecting a Location for Installation

Use the drawings below to determine which installation configuration is most appropriate. The Skuttle Air Cleaner can be installed horizontally, vertically or at an angle.



Installation

The Air Cleaner cabinet can be installed on ductwork using standard sheet metal screws up to 1" long.

- Remove the cover and pull the media element out by grasping it at the top and bottom.
- Install the cabinet in the cold air return duct so that air flowing through the duct will flow through the Air Cleaner. **Allow space for filter media replacement.**
- Attach the Air Cleaner to the ductwork; tape and seal all seams air tight.
- Reinstall the media element with the arrow pointing in the direction of the airflow; reinstall the cover.

Transitions

When needed, the angle of expansion should be no more than 20° (a maximum of 4" rise per foot.)

Once a suitable location is determined, position the cabinet to allow adequate space for removal and insertion of replacement filter media. (See Product Specifications.)

Turning Vanes

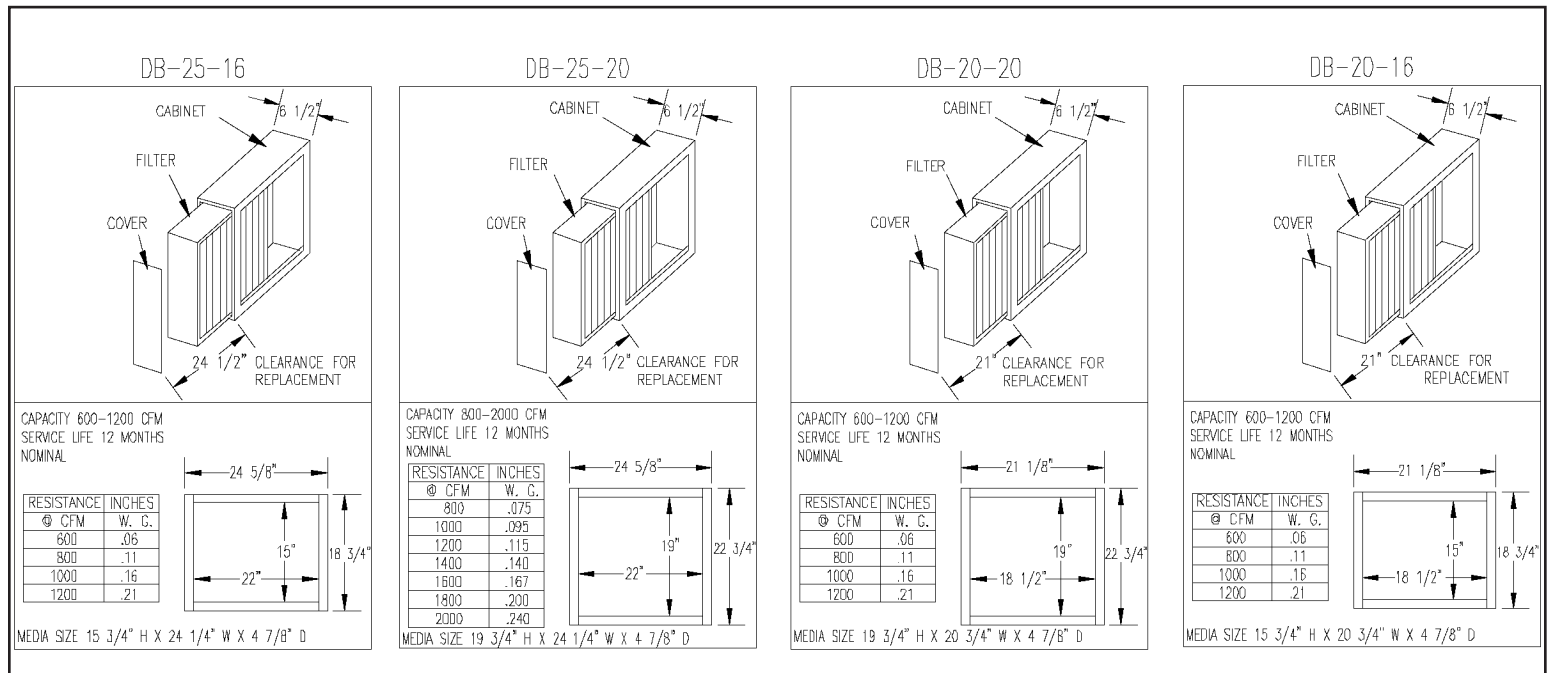
To reduce turbulence, turning vanes are recommended if the installation requires a 90° elbow, or if there is an angled fitting directly beside the Air Cleaner.

Humidifiers

It is crucial to avoid the buildup of moisture in and around the Air Cleaner media during humidifier operation.

Evaporative type humidifiers will not effect the media. Spray or steam units should be installed in the air stream *after* the Air Cleaner. If it is necessary to install a spray or steam humidifier that is in line *before* the Air Cleaner, there must be 8 or more feet of ductwork between the humidifier and the Air Cleaner.

Cabinet Specifications



Installation Using Pre-Punched Holes

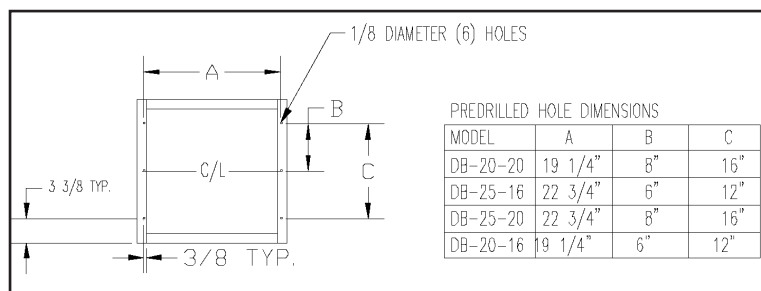


Skuttle's pre-punched holes make installation of the Air Cleaner cabinet faster and easier.

The Air Cleaner cabinet can be installed in any direction because the door (not shown) is reversible.

Be sure to position the cabinet to allow adequate space for removal and insertion of replacement filter media. Please see our specifications for more information.

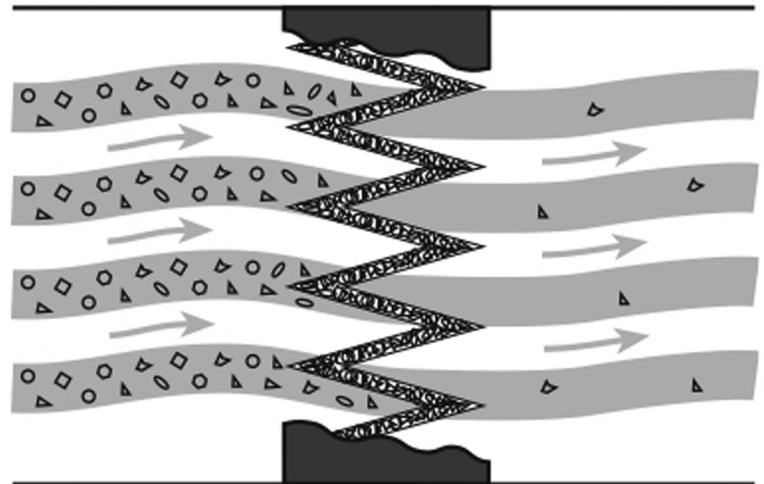
Installation Specifications



More About Skuttle Filter Media

Since a great variety of in-home contaminants invade our bodies, Skuttle's commitment to filtration and purification products is very important to the homeowners we serve.

Levels of common pollutants can be more than 100 times higher INSIDE than outside the home. Smaller airborne particles can be inhaled, potentially causing serious health problems.



Skuttle's superior depth-loading filter design captures more airborne particles and lasts longer than many common filter media.

The smallest contaminants of a single micron or less make up about 99 percent of the particles circulating throughout a typical home.

Under standardized testing, Skuttle's MERV 8 high-efficiency filter media will capture and hold 84.9% of airborne contaminants and pollutants ranging between 3.0 and 10.0 microns in size.

For homeowners who insist on the best possible dust control, Skuttle's MERV 11 high-efficiency filter media stops particles in the 1.0 to 3.0 micron range, making it an excellent choice for very high indoor air quality. For comparison, a single human hair is huge, ranging from 20.0 to 40.0 microns in size.

Compare Skuttle High-Efficiency Air Cleaners to one-inch disposable panel filters that are MERV-rated between 1 and 4, if rated at all. One-inch filters capture and hold less than 20% of airborne contaminants and pollutants ranging between 3.0 and 10.0 microns in size, and most of these filters must be replaced every month or two.

The benefits of efficient, effective whole-house filtration include cleaner indoor air, a cleaner HVAC system, extended furnace life, longer filter life, healthier living, and significant cost savings. Depending on fan running time, size of the house, condition of HVAC unit, local air quality, family size and lifestyle, Skuttle filter media will perform reliably for up to a year.

Skuttle Limited Ten-Year Product Warranty

This limited ten-year warranty covers this Skuttle Air Cleaner's cabinet and cover assemblies, excluding the replaceable element contained within the cabinet and installation.

Skuttle Mfg. Co. (DBA Skuttle Indoor Air Quality Products) warrants that this product is free from defects in material and workmanship under normal, noncommercial use and service.

Skuttle will remedy any such defects if they appear within 120 months from the date of the original installation, as evidenced by receipt of the warranty registration card, subject to the terms and conditions of this limited ten-year warranty, stated below:

1. THIS LIMITED TEN-YEAR WARRANTY IS GUARANTEED BY SKUTTLE MFG. CO., 101 Margaret Street, Marietta, Ohio 45750.
2. This warranty shall extend only to any noncommercial owner who has purchased this residential product other than for purposes of resale.
3. The completion and return of the warranty registration card is a condition precedent to warranty coverage and performance. Warranty is not valid unless this card is completed and mailed to the factory within fifteen (15) days of equipment installation.
4. All components are covered by this limited warranty, except expendable items.
5. If, within the warranty period, this product or any component requires service, it must be performed by a competent heating and/or plumbing contractor (preferably the installing contractor). Skuttle will not pay shipping charges or labor charges to remove or replace such defective parts or components. If the part of component is found by inspection to contain such defective material and/or workmanship, it either will be repaired or exchanged, free of charge, at Skuttle's option, and returned freight collect.
6. In order to obtain the benefits of this limited ten-year warranty, the owner must notify the dealer or distributor in writing of any defects within thirty (30) days of the discovery. If, after reasonable time, you have not received a satisfactory response, notify in writing: **Skuttle Mfg. Co., 101 Margaret Street, Marietta, OH 45750.**

SKUTTLE WILL RECEIVE, FREIGHT PREPAID, ONLY REMOVABLE PARTS OR COMPONENTS OF SUCH DEFECTIVE PRODUCTS.

7. This limited warranty does not apply to any parts or components that are damaged in transit or handling, have been subjected to abuse, neglect or accident; have not been installed, operated and serviced according to Skuttle's instructions; have been operated beyond the factory-rated capacity; or have been altered in any such way that their performance is affected. There is no warranty due to neglect, alteration or ordinary wear and tear. Skuttle's liability is limited to replacement of defective parts and components, and does not include the payment of the cost of labor charges to remove or replace such defective components or parts.
8. Skuttle will not be responsible for loss of use of any product: loss of time, inconvenience or any other indirect, incidental or consequential damages with respect to person or property, whether as a result of breach of contract, neglect or otherwise. **SOME STATES DO NOT ALLOW THE EXCLUSION OR LIMITATION OF EXCLUSION, SO THE PRECEDING SENTENCE MAY NOT APPLY TO YOU.**
9. **THIS WARRANTY GIVES YOU SPECIFIC RIGHTS, AND YOU MAY ALSO HAVE OTHER RIGHTS WHICH VARY FROM STATE TO STATE.**
10. Any warranty work will be performed within a reasonable time—usually within one-hundred-twenty (120) days after notice of defect and delivery to the Skuttle factory, subject to delays beyond the manufacturer's control.
11. Any warranty by Skuttle of merchantability, fitness for use of any other warranty (expressed, implied or statutory), representation or guarantee other than what is set forth herein, shall expire at the expiration date of this limited warranty. **SOME STATES DO NOT ALLOW LIMITATION OF HOW LONG AN IMPLIED WARRANTY LASTS, SO THE LIMITATION IN THE PRECEDING SENTENCE MAY NOT APPLY TO YOU.**
12. Skuttle reserves the right to make changes in the design and material of its products without incurring any obligation to incorporate such changes in the units completed on or before the effective date of change.

CONTACT INFORMATION FOR SKUTTLE MFG. CO. CAN BE FOUND AT THE BOTTOM OF THIS PAGE.

The right combination of Skuttle products increase indoor air quality and creates a "Happy House" environment for you!



Representative samples of Skuttle whole-house indoor air quality products are pictured above.

L-R: high-capacity flow-thru humidifier, drum humidifier, stainless steel steam humidifier, UV germicidal and activated oxygen air purifier, HEPA filtration system, and make-up air control (ventilation). See all products and models in each product line at www.skuttle.com or ask a qualified HVAC contractor to recommend the appropriate combination of Skuttle Indoor Air Quality Products for your home.



Skuttle®

Indoor Air Quality Products



101 Margaret Street • Marietta, OH 45750 • 800-848-9786 • Fax: 740-373-9565 • customerservice@skuttle.com

See our entire product line at www.skuttle.com

Part No. 000-0756-303
© 2007 Skuttle Mfg. Co. Rev. 2015.06