



**Hercules**  
INDUSTRIES

COMMERCIAL FABRICATION DIVISION

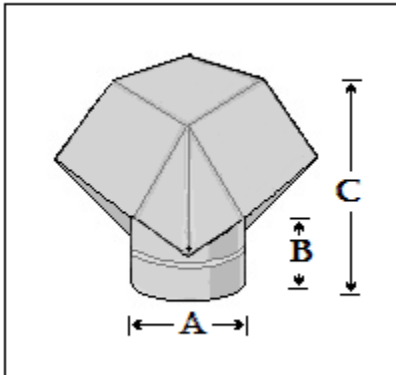
[www.herculesIndustries.com](http://www.herculesIndustries.com)

5050 Florence St. Denver Colorado 80238

Tel. 303 388-899 Fax. 303 388-8301

Toll Free. 1 800 870-4305

## Rain Caps



**Material:** Galvanized Steel ASTM-A653-00

**Seam:** Riveted

Size (A) in.	Collar (B) in.	Height ( C ) in.	Collar Gauge	Top Gauge	Weight (lbs.)	Product Number
3"	3	6	28 Ga	30 Ga	.5	3RC
4"	3	6	28 Ga	30 Ga	.7	4RC
5"	3	6	30 Ga	30 Ga	.9	5RC
6"	3	5.5	28 Ga	30 Ga	1.0	6RC
7"	3	6	30 Ga	30 Ga	1.2	7RC
8"	3	6	26 Ga	30 Ga	1.5	8RC
9"	3	6	26 Ga	26 Ga	1.6	9RC
10"	3	7	26 Ga	26 Ga	1.9	10RC
12"	3	8	26 Ga	26 Ga	2.2	12RC
14"	3	8.5	26 Ga	26 Ga	2.7	14RC
16"	3	7	26 Ga	26 Ga	3.1	16RC
18"	3	7	26 Ga	26 Ga	3.9	18RC
20"	3	7	26 Ga	26 Ga	5.2	20RC

\* All gauges and reinforcements are in compliance with 2005 SMACNA standards for duct fabrication.

