



Hercules
INDUSTRIES

COMMERCIAL FABRICATION DIVISION

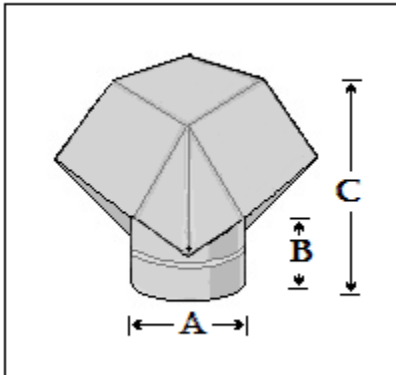
www.herculesIndustries.com

5050 Florence St. Denver Colorado 80238

Tel. 303 388-899 Fax. 303 388-8301

Toll Free. 1 800 870-4305

Rain Caps With Screen



Material: Galvanized Steel ASTM-A653-00

Seam: Riveted

With Bird screen

Size (A) in.	Collar (B) in.	Height (C) in.	Collar Gauge	Top Gauge	Weight (lbs.)	Product Number
3"	3	6	28 Ga	30 Ga	.5	RCS3
4"	3	6	28 Ga	30 Ga	.7	RCS4
5"	3	6	30 Ga	30 Ga	.9	RCS5
6"	3	5.5	28 Ga	30 Ga	1.0	RCS6
7"	3	6	30 Ga	30 Ga	1.2	RCS7
8"	3	6	26 Ga	30 Ga	1.5	RCS8
10"	3	7	26 Ga	26 Ga	1.9	RCS10

* All gauges and reinforcements are in compliance with 2005 SMACNA standards for duct fabrication.

