



Hercules
INDUSTRIES

COMMERCIAL FABRICATION DIVISION

www.herculesindustries.com

5050 Florence St. Denver Colorado 80238

Tel. 303 388-899 Fax. 303 388-8301

Toll Free. 1 800 870-4305

HVAC DAMPERS



BACK DRAFT DAMPER – BUTTERFLY DAMPER – BD__



THE IDEAL BACKDRAFT FOR SOLAR, FRESH AIR INTAKE,
HEAT EXCHANGERS, AND OTHER AIR DUCT APPLICATIONS

- Works for horizontal and vertical applications (see drawing)
- For intake or exhaust applications
- Foam seal provides minimal leakage
- It opens easily with normal air flow and closes by gravity



FRESH AIR MANUFACTURING CO.
Technologies in Ventilation

649 N. Ralstin St., Meridian, ID 83642 * (208)884-8931 * (800)-234-1903 * FAX: (208)884-8943





Hercules
INDUSTRIES

COMMERCIAL FABRICATION DIVISION

www.herculesIndustries.com

5050 Florence St. Denver Colorado 80238

Tel. 303 388-899 Fax. 303 388-8301

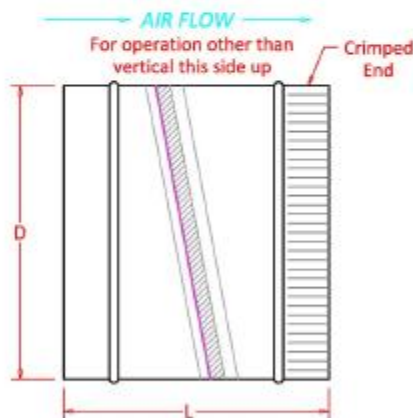
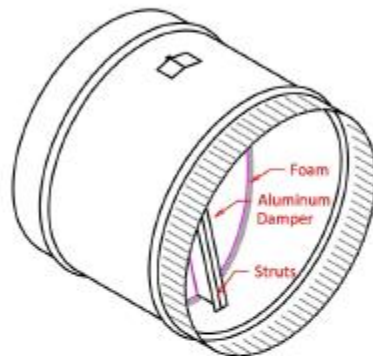
Toll Free. 1 800 870-4305



HVAC DAMPERS

FAMCO

BACK DRAFT DAMPER – BUTTERFLY DAMPER – BD__



BACK DRAFT DAMPERS		
Butterfly Dampers		
ITEM #	D	L
BD4	4	6
BD5	5	6
BD6	6	6
BD7	7	7¼
BD8	8	7¼
BD10	10	7¼
BD12	12	9
BD14	14	12
BD16	16	14
BD18	18	18
BD20	20	18



FRESH AIR MANUFACTURING CO.
Technologies in Ventilation

649 N. Ralstin St., Meridian, ID 83642 * (208)884-8931 * (800)-234-1903 * FAX: (208)884-8943





Hercules
INDUSTRIES

COMMERCIAL FABRICATION DIVISION

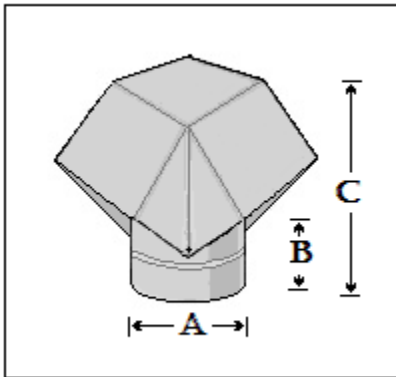
www.herculesIndustries.com

5050 Florence St. Denver Colorado 80238

Tel. 303 388-899 Fax. 303 388-8301

Toll Free. 1 800 870-4305

Rain Caps



Material: Galvanized Steel ASTM-A653-00

Seam: Riveted

Size (A) in.	Collar (B) in.	Height (C) in.	Collar Gauge	Top Gauge	Weight (lbs.)	Product Number
3"	3	6	28 Ga	30 Ga	.5	3RC
4"	3	6	28 Ga	30 Ga	.7	4RC
5"	3	6	30 Ga	30 Ga	.9	5RC
6"	3	5.5	28 Ga	30 Ga	1.0	6RC
7"	3	6	30 Ga	30 Ga	1.2	7RC
8"	3	6	26 Ga	30 Ga	1.5	8RC
9"	3	6	26 Ga	26 Ga	1.6	9RC
10"	3	7	26 Ga	26 Ga	1.9	10RC
12"	3	8	26 Ga	26 Ga	2.2	12RC
14"	3	8.5	26 Ga	26 Ga	2.7	14RC
16"	3	7	26 Ga	26 Ga	3.1	16RC
18"	3	7	26 Ga	26 Ga	3.9	18RC
20"	3	7	26 Ga	26 Ga	5.2	20RC

* All gauges and reinforcements are in compliance with 2005 SMACNA standards for duct fabrication.





Hercules
INDUSTRIES

COMMERCIAL FABRICATION DIVISION

www.herculesIndustries.com

5050 Florence St. Denver Colorado 80238

Tel. 303 388-899 Fax. 303 388-8301

Toll Free. 1 800 870-4305

Round Dampers Blades



Material: Galvanized Steel **ASTM-A653-00**

Includes: Handle, washers and wing nuts.

Size (A) in.	Disc Size in.	Gauge	Product Number
4"	3.625	26 Ga	4RD
5"	4.625	26 Ga	5RD
6"	5.625	26 Ga	6RD
7"	6.625	26 Ga	7RD
8"	7.625	26 Ga	8RD
9"	8.625	26 Ga	9RD
10"	9.625	26 Ga	10RD
12"	10.625	26 Ga	12RD
14"	13.625	26 Ga	14RD
16"	15.625	26 Ga	16RD
18"	17.625	26 Ga	18RD
20"	19.625	26 Ga	20RD

* All gauges and reinforcements are in compliance with 2005 SMACNA standards for duct fabrication.

