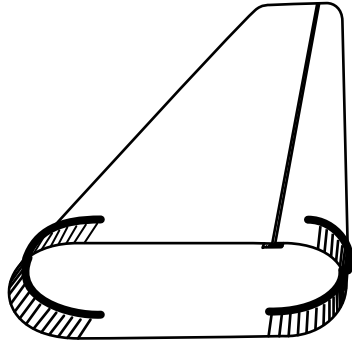
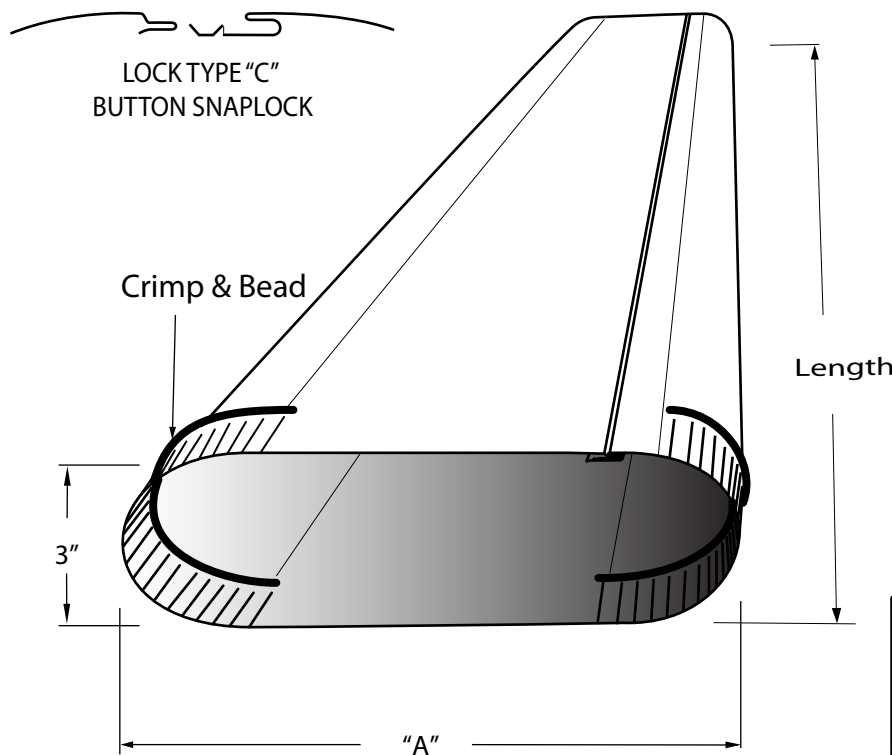


PO-Galvanized Oval Pipe



Code	Description
PO410030	Galv.Oval Pipe,4"dia x 100"long x 30ga,Button Snap Lock (C)
PO410030STD	Galv.Oval Pipe,4"dia x 100"long x 32ga,Button Snap Lock (C)
PO4530STD	Galv.Oval Pipe,4"dia x 60"long x 32ga,Button Snap Lock (C)
PO510030	Galv.Oval Pipe,5"dia x 100"long x 30ga,Button Snap Lock (C)
PO510030STD	Galv.Oval Pipe,5"dia x 100"long x 32ga,Button Snap Lock (C)
PO5530STD	Galv.Oval Pipe,5"dia x 60"long x 32ga,Button Snap Lock (C)
PO610030	Galv.Oval Pipe,6"dia x 100"long x 30ga,Button Snap Lock (C)
PO610030STD	Galv.Oval Pipe,6"dia x 100"long x 32ga,Button Snap Lock (C)
PO6530STD	Galv.Oval Pipe,6"dia x 60"long x 32ga,Button Snap Lock (C)
PO710030	Galv.Oval Pipe,7"dia x 100"long x 30ga,Button Snap Lock (C)
PO710030STD	Galv.Oval Pipe,7"dia x 100"long x 32ga,Button Snap Lock (C)
PO7530STD	Galv.Oval Pipe,7"dia x 60"long x 32ga,Button Snap Lock (C)
PO810030	Galv.Oval Pipe,8"dia x 100"long x 30ga,Button Snap Lock (C)



Performance Data

for galvanized, Oval Pipe

Material

- galvanized steel
- thickness - 32ga. to 30ga.

Manufactured

- Snaplock allows for quick assembly
- Manufactured with various lengths, and gauges of pipe

General Information

- Crimp and bead ensures for easy pipe connection
- Pipe is nested on steel racking
- Speeds up installation
- SMACNA approved Snaplocks
- Oval replaces rectangular wall stack

Size	"A"	Physical Comparison to Wall Stack
4" oval	5"	
5" oval	6"	3 1/4" x 8"
6" oval	7 9/16"	3 1/4" x 10"
7" oval	9 1/8"	3 1/4" x 12"
8" oval	10 1/2"	3 1/4" x 14"

For sizing Calculations see ACCA Manual D