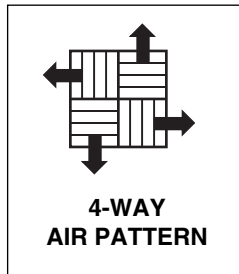
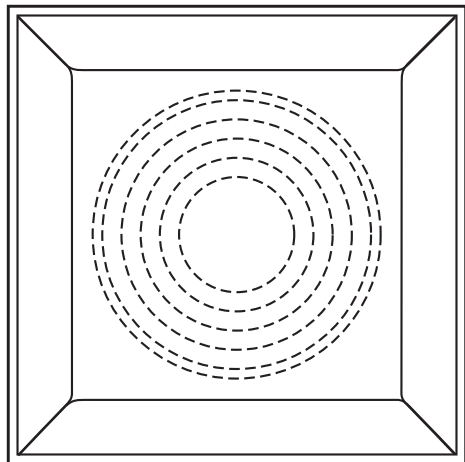
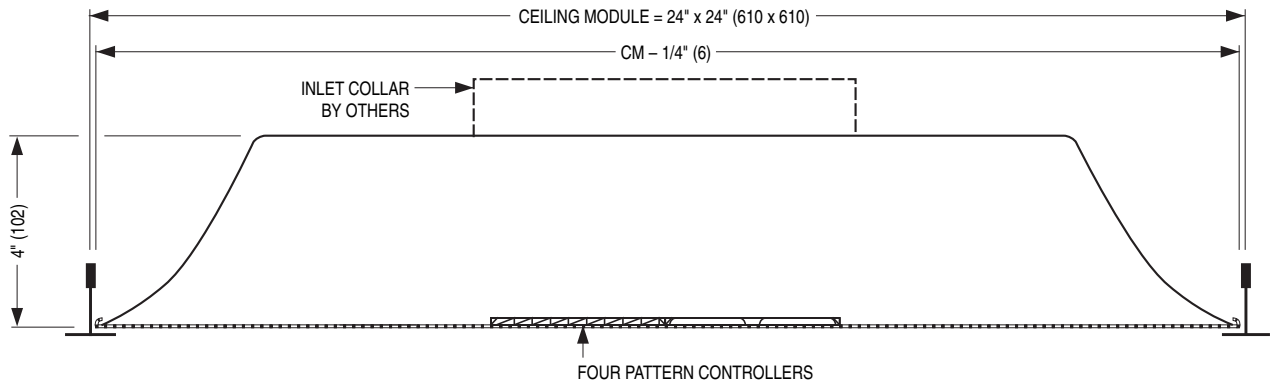


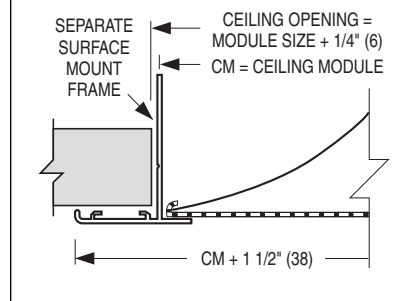


PERFORATED CEILING DIFFUSERS
 FIBERGLASS PLENUM • 4-WAY DISCHARGE PATTERN
 SUPPLY • 24" X 24" MODULE FOR T-BAR CEILINGS
MODEL: 4350

TYPE L Lay-in T-Bar



TYPE S Surface Mount



DESCRIPTION:

1. Corrosion-resistant steel diffuser face. One piece molded fiberglass backpan with foil back vapour barrier. 6.0 R-value.
2. Diffuser features a smoothly contoured back pan and wrap-around fixed perforated face. Four stamped pattern controllers are mounted on the back of the perforated face, to provide a 4-way discharge pattern, providing excellent performance in VAV systems.
3. Perforated face has 3/16" (5) diameter holes on 1/4" (6) staggered centers. 51% free area.
Center access hole with plug for screwdriver adjustment of the optional damper.
4. Pre-scored plenum for 6", 8", 10", 12", 14" or 15" (152, 203, 254, 305, 356 or 381) spin-in or tab-lock inlet collar (by others).
5. Standard finish is AW Appliance White face and black interior.

OPTIONS:

Finish:
 SP Special _____

SCHEDULE TYPE:		Dimensions are in inches (mm).			
PROJECT:					
ENGINEER:	DATE	B SERIES	SUPERSEDES	DRAWING NO.	
CONTRACTOR:	1 - 7 - 11	4300	NEW	4350	