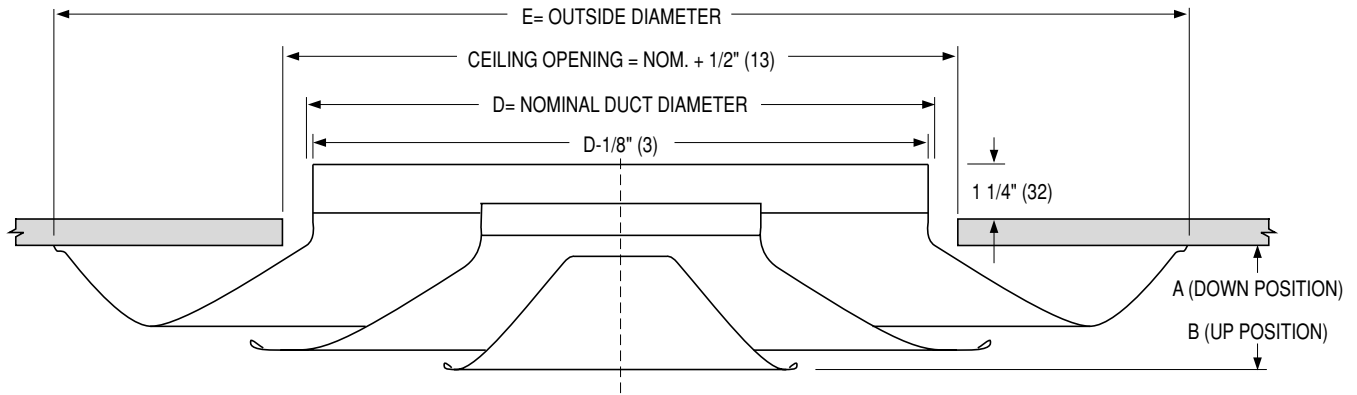




ROUND CEILING DIFFUSERS
 SPUN STEEL CONSTRUCTION • ADJUSTABLE
 HORIZONTAL DISCHARGE PATTERN
MODEL: RNR



DESCRIPTION:

1. Material: Corrosion-resistant steel.
2. The Nailor RNR series round ceiling diffusers feature three concentric cones in all sizes to offer a balanced appearance where different sizes are used in the same area.
3. The diffusers deliver the air in a true 360° radial horizontal pattern and provide excellent performance in variable air volume systems.
4. A spring clip arrangement permits quick, easy installation and removal of the inner cone assembly.
5. Discharge settings are easily field set by sliding the inner cone assembly up or down. The core is securely retained by a spring loaded friction arrangement.
6. Adjustable horizontal discharge settings allow the diffusers to accommodate different flow conditions. Position A (cones down) provides maximum capacity at minimum NC levels while position B (cones up) provides higher induction and more air movement.
7. Designed for both heating and cooling applications.
8. An optional round opposed blade damper is screwdriver-operated through the face of the unit.
9. Standard finish is AW appliance white.

OPTIONS:

- SC Safety chain
- GK Foam gasket
- EQ Earthquake tabs

Finish

- SP Special. Specify _____ .

Dimensional Data

Listed Size	Imperial Units (inches)			Metric Units (mm)		
	A	B	E	A	B	E
6	1 3/4	1 1/8	11 5/8	44	29	295
8	2 1/8	1 1/2	14 3/8	54	38	365
10	2 7/8	2 1/8	17 15/16	73	54	456
12	3 1/8	2 3/8	21 5/8	79	60	549
14	3 3/8	2 5/8	25 1/4	86	67	641
16	4	3 1/4	29	102	83	737
18	4 3/4	3 7/8	33 1/2	121	98	851
20	5 7/8	4 7/8	37 1/4	149	124	946
24	7 3/4	6 5/8	43 7/8	197	168	1114

SCHEDULE TYPE:

PROJECT:

ENGINEER:

CONTRACTOR:

Dimensions are in inches (mm).

DATE

B SERIES

SUPERSEDES

DRAWING NO.

8 - 30 - 05

RNR

19 - 9 - 00R

RNR-1