

Date: _____

For: File Resubmit
 Approval Other _____

PO No.: _____

Architect: _____

GC: _____

Engr: _____

Mech: _____

Rep: _____

(Company) _____

(Project Manager) _____

LS180HEV
Mega Single Zone Inverter
 Outdoor Unit (ODU) - LSU180HEV Indoor Unit (IDU) - LSN180HEV



Performance:

Cooling:

| | |
|------------------|--------|
| Capacity (Btu/h) | 17,000 |
| SEER | 17.0 |
| EER | 10.95 |

SEER - Seasonal Energy Efficiency Ratio EER - Energy Efficiency Ratio

Heating:

| | |
|------------------|--------|
| Capacity (Btu/h) | 19,000 |
| HSPF | 8.7 |

HSPF - Heating Seasonal Performance Factor

Cooling Nominal Test Conditions: Indoor: 80°F DB/67°F WB
 Outdoor: 95°F DB/75°F WB
 Heating Nominal Test Conditions: Indoor: 70°F DB/60°F WB
 Outdoor: 47°F DB/43°F WB

Electrical:

Outdoor Unit:

| | |
|-------------------------------------|--------------|
| Power Supply (V ¹ /Hz/Ø) | 208-230/60/1 |
| MOP (A) | 20 |
| MCA (A) | 12 |
| Cooling Rated Amps (A) | 9.08 |
| Heating Rated Amps (A) | 9.68 |
| Compressor (A) | 9.28 |
| Fan Motor (A) | 0.4 |

MOP - Maximum Overcurrent Protection MCA - Minimum Circuit Ampacity

Indoor Unit:

| | |
|-------------------------------------|--------------|
| Power Supply (V ¹ /Hz/Ø) | 208-230/60/1 |
| Cooling Power Input (kW) | 1.55 |
| Heating Power Input (kW) | 1.59 |

Piping:

| | |
|--|------|
| Liquid Line (in, OD) | 1/4 |
| Vapor Line (in, OD) | 1/2 |
| Additional Refrigerant (oz/ft) | 0.33 |
| Max Pipe Length (ft) ² | 65.6 |
| Piping Length (no add'l refrigerant, ft) | 24.6 |
| Max Elevation (ft) | 32.8 |

Controls Features:

- 24-Hour on/off timer
- Energy saving
- 2-Way (up/down) auto swing
- Inverter (variable speed compressor)
- Auto changeover
- Jet cool
- Auto restart
- Self-cleaning indoor coil
- Condensate sensor connection
- Sleep mode
- Ultra quiet operation

Operating Range:

Outdoor Unit:

| | |
|-----------------|--------|
| Cooling (°F DB) | 64-118 |
| Heating (°F DB) | 23-75 |

Indoor Unit:

| | |
|-----------------|-------|
| Cooling (°F DB) | 64-90 |
| Heating (°F DB) | 61-86 |

Unit Data:

| | |
|--|----------------|
| Refrigerant Type | R410A |
| Refrigerant Control | Capillary Tube |
| Refrigerant Charge (lbs) | 2.34 |
| ODU Sound Pressure (±3 dB(A)) ³ | 51 |
| IDU Sound Pressure ±3 (H/M/L/Sleep) dB(A) ³ | 42/40/35/29 |
| ODU Net Unit Weight (lbs) | 72 |
| ODU Shipping Weight (lbs) | 77 |
| IDU Net Unit Weight (lbs) | 28 |
| IDU Shipping Weight (lbs) | 30 |
| Heat Exchanger Coating | GoldFin™ |

Fan:

| | |
|----------------------------------|---------------------------------------|
| ODU Type | Propeller |
| IDU Type | Cross Flow |
| Fan Speeds (Fan/Cooling/Heating) | 3/4/3 |
| Quantity (ODU + IDU) | 1 + 1 |
| Motor/Drive | Brushless Digitally Controlled/Direct |
| ODU Max Air Flow Rate (CFM) | 1,342 |
| IDU Air Flow Rate H/M/L (CFM) | 512/441/353 |
| Dehumidification (pts/hr) | 3.39 |

Notes:

1. Acceptable operating voltage: 187V-253V.
2. Piping lengths are equivalent.
3. Sound Pressure levels are tested in an anechoic chamber under ISO Standard 1996.
4. All power/communication cable to be minimum 18 AWG, 4-conductor, stranded, shielded and must comply with applicable local and national code.
5. See Engineering Manual for sensible and latent capacities.
6. Power wiring cable size must comply with the applicable local and national code.
7. The indoor unit comes with a dry helium charge.
8. This data is rated 0 ft above sea level, with 24.6 ft of refrigerant line and a 0 ft level difference between outdoor and indoor units.
9. Must follow installation instructions in the applicable LG installation manual.



Outdoor Unit (ODU) - LSU180HEV

Mega Single Zone Inverter



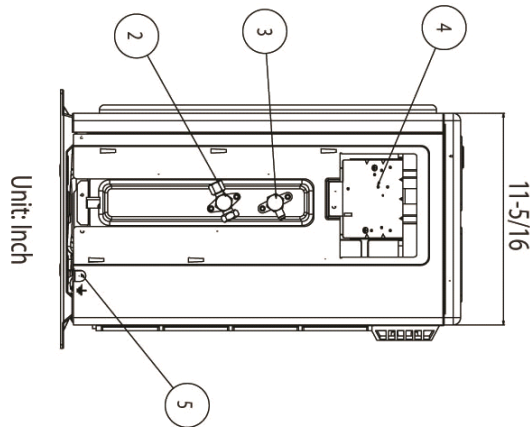
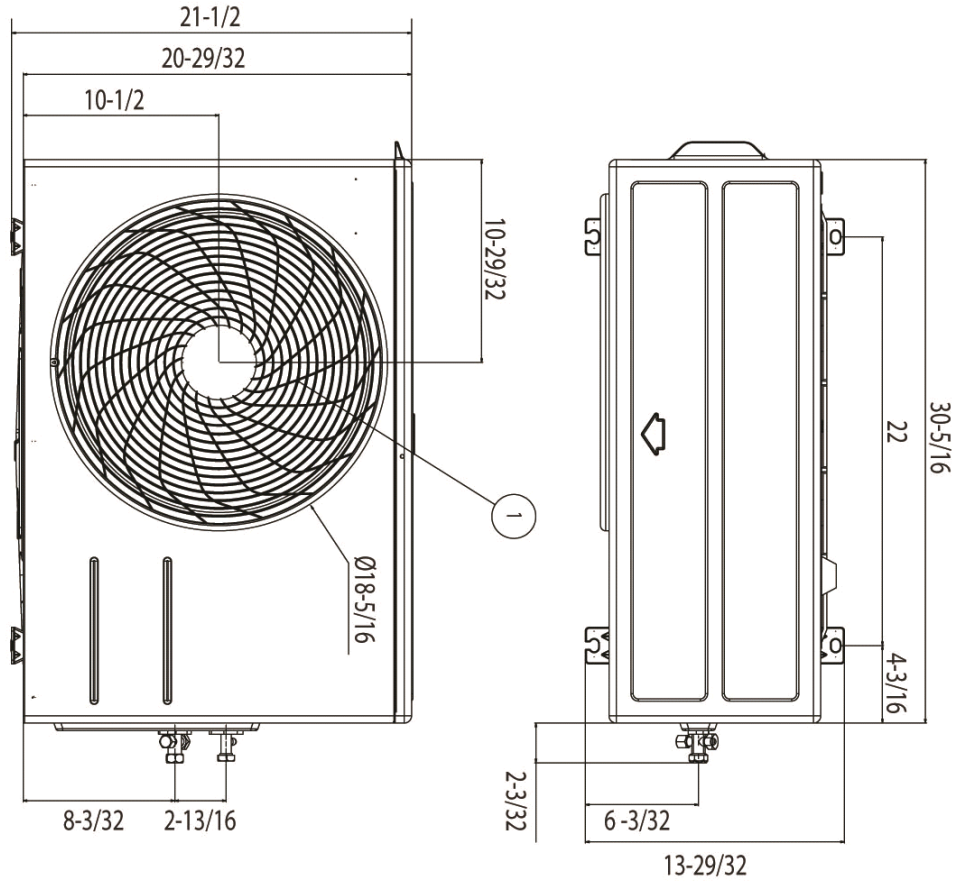
LG

Life's Good

Tag #:

Date:

PO No.:



Unit: Inch

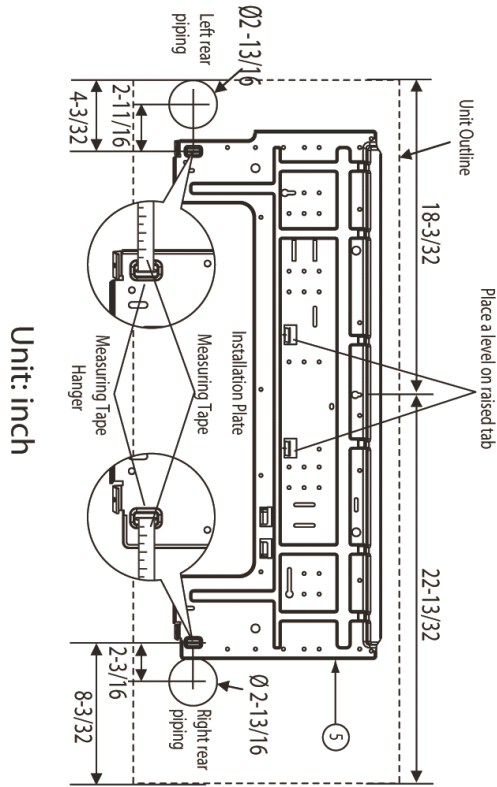
| Item No. | Part Name | Remarks |
|----------|-----------------------------|---------|
| 1 | Air Discharge Grille | |
| 2 | Gas Pipe Connection Port | |
| 3 | Liquid Pipe Connection Port | |
| 4 | Control Box | |
| 5 | Earth Screw | |

Indoor Unit (IDU) - LSN180HEV

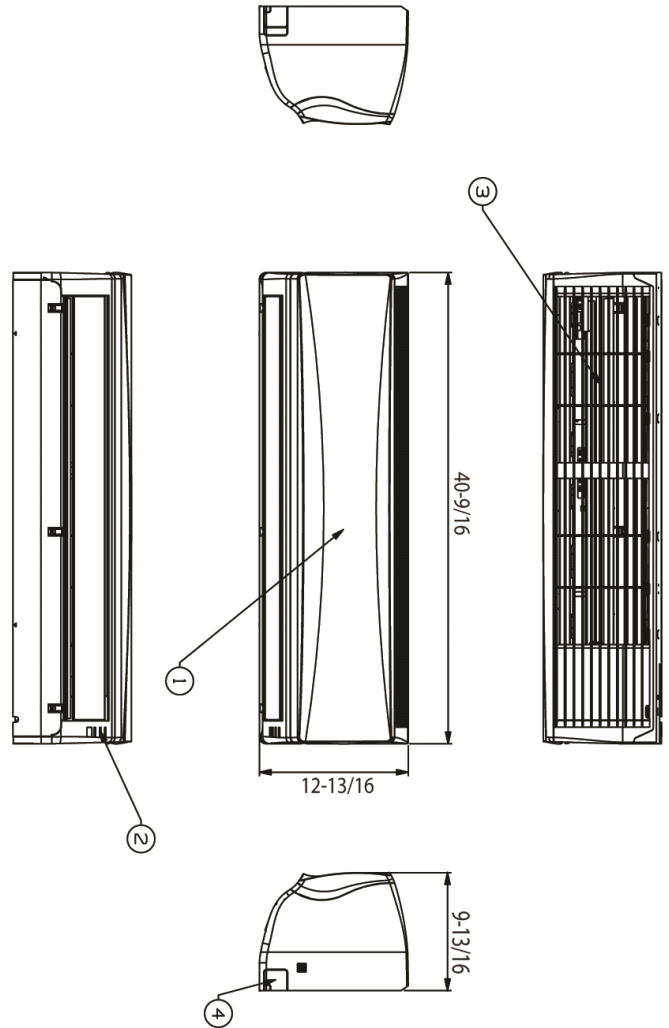
Mega Single Zone Inverter



Tag #: _____
 Date: _____
 PO No.: _____



Unit: inch



| Item No. | Part Name | Remarks |
|----------|---------------------------|--------------------|
| 1 | Front Panel | |
| 2 | Display & Signal Receiver | |
| 3 | Air Suction Grille | |
| 4 | Knockout hole | For pipe and cable |
| 5 | Installation Plate | |