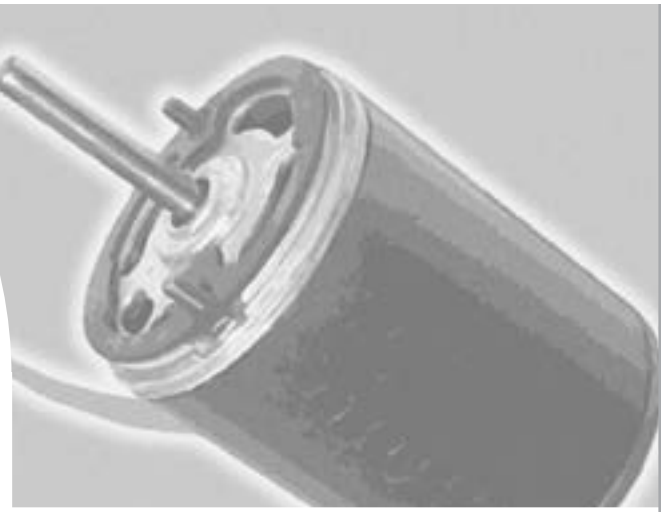




KYSOR
A Division of Bergstrom Inc.

Air Conditioning & Heating
Replacement Parts



Blower Motors

Single Shaft Motors 79
Motor Specifications 86

Double Shaft Motors 89
Motor Specifications 92

Blower Assemblies 93
Assembly Specifications 96

Condenser Fan Assemblies 98
Condenser Fan Specifications 98



BUS



Single Shaft Motors

BLOWER MOTORS



Part No. 1010017	Part No. 1011003	Part No. 1011005	Part No. 1011010
Speed: 1 Voltage: 12 Rotation: CW/CCW Mount: Stud Vent: V	Speed: 1 Voltage: 12 Rotation: CW/CCW Mount: Flange Vent: V	Speed: 1 Voltage: 12 Rotation: REV Mount: Flange Vent: V	Speed: 1 Voltage: 12 Rotation: REV Mount: Stud Vent: NV
A: 4 17/32" B: 4 3/64" C: 1 17/64" D: 3 7/32" DIA: 5/16"	A: 4 7/16" B: 3 5/8" C: 1 3/32" D: 3 7/32" DIA: 5/16"	A: 4 7/8" B: N/A C: 1 1/16" D: 3 1/4" DIA: 5/16"	A: 3 3/4" B: 2 5/16" C: 1 3/4" D: 3" DIA: 1/4"

Part No. 1011011	Part No. 1011012	Part No. 1011013	Part No. 1011014
Speed: 1 Voltage: 12 Rotation: CW/CCW Mount: Stud Vent: NV	Speed: 1 Voltage: 12 Rotation: CW/CCW Mount: Stud Vent: V	Speed: 1 Voltage: 12 Rotation: CW Mount: Flange Vent: NV	Speed: 1 Voltage: 12 Rotation: CCW Mount: Flange Vent: V
A: 4 13/64" B: 3 5/16" C: 1 7/8" D: 2 27/32" DIA: 5/16"	A: 4 3/4" B: 4" C: 1 1/2" D: 3" DIA: 5/16"	A: 4 7/8" B: 4 1/8" C: 1 1/16" D: 3 1/4" DIA: 5/16"	A: 4 1/4" B: 3 3/4" C: 1 1/4" D: 3 1/4" DIA: 5/16"


Part No. 1011016	Part No. 1012002	Part No. 1012003	Part No. 1012004
Speed: 1 Voltage: 12 Rotation: CW Mount: Plate Vent: V	Speed: 1 Voltage: 12 Rotation: CW Mount: Stud Vent: V	Speed: 2 Voltage: 12 Rotation: CW Mount: Stud Vent: NV	Speed: 1 Voltage: 12 Rotation: CCW Mount: Stud Vent: V
A: 5" B: 4 1/4" C: 1" D: 3" DIA: 5/16"	A: 4 1/2" B: 3 7/8" C: 1 3/8" D: 3" DIA: 5/16"	A: 3 5/8" B: 2 3/4" C: 5/8" D: 3" DIA: 1/4"	A: 4 3/4" B: 4 3/8" C: 1 9/16" D: 3 3/4" DIA: 5/16"

Part No. 1012008	Part No. 1012009	Part No. 1012015	Part No. 1013004
Speed: 1 Voltage: 12 Rotation: CCW Mount: Strap Vent: NV	Speed: 1 Voltage: 12 Rotation: CW Mount: Stud Vent: V	Speed: 2 Voltage: 12 Rotation: REV Mount: Stud Vent: V	Speed: 1 Voltage: 12 Rotation: CW Mount: Flange w/ harness Vent: V
A: 4 7/8" B: 4" C: 1 1/8" D: 3" DIA: 5/16"	A: 4 1/2" B: 3 5/8" C: 1 1/2" D: 3" DIA: 5/16"	A: 3 11/32" B: 3 1/64" C: 1 53/64" D: 3" DIA: 5/16"	A: 4 5/8" B: 4 3/32" C: 1 5/16" D: 3" DIA: 5/16"

This motor can be used in multiple applications with harness 2199058.




Part No. 1013005




Speed: 1	A: 4"
Voltage: 12	B: 3 45/64"
Rotation: CCW	C: 1"
Mount: Flange	D: 3"
Vent: V	DIA: 5/16"

Part No. 1013006




Speed: 2	A: 3"
Voltage: 24	B: 2 33/64"
Rotation: CW	C: 15/16"
Mount: Stud	D: 3"
Vent: NV	DIA: 1/4"

Part No. 1013007




Speed: 1	A: 4 15/64"
Voltage: 12	B: 3 51/64"
Rotation: CW/CCW	C: 1 17/32"
Mount: Strap	D: 2 59/64"
Vent: V	DIA: 5/16"

Part No. 1013009




Speed: 2	A: 3 23/32"
Voltage: 12	B: 3 35/64"
Rotation: CW	C: 13/16"
Mount: Stud	D: 2 31/32"
Vent: V	DIA: 5/16"

Part No. 1013014




Speed: 1	A: 4"
Voltage: 12	B: 3 45/64"
Rotation: CW	C: 1 7/64"
Mount: Flange	D: 2 59/64"
Vent: V	DIA: 9/32"

Part No. 1014002




Speed: 1	A: 4 27/32"
Voltage: 12	B: 4 17/32"
Rotation: CW	C: 1 1/4"
Mount: Strap	D: 2 59/64"
Vent: V	DIA: 5/16"

Part No. 1014003




Speed: 1	A: 4 13/32"
Voltage: 12	B: 4"
Rotation: CCW	C: 1 1/4"
Mount: Stud	D: 2 59/64"
Vent: V	DIA: 9/32"

Part No. 1014004




Speed: 1	A: 3 29/32"
Voltage: 24	B: 3 21/32"
Rotation: CW	C: 1 1/32"
Mount: Stud	D: 3 1/16"
Vent: NV	DIA: 9/32"

Part No. 1014005




Speed: 1	A: 4 13/32"
Voltage: 12	B: 4"
Rotation: CW	C: 1 9/32"
Mount: Stud	D: 2 59/64"
Vent: V	DIA: 9/32"

Part No. 1014007




Speed: 1	A: 4 3/16"
Voltage: 12	B: 4"
Rotation: CW	C: 1 9/32"
Mount: N/A	D: 3 7/64"
Vent: V	DIA: 9/32"

Part No. 1015001




Speed: 1	A: 4 5/8"
Voltage: 12	B: 4 3/16"
Rotation: CW	C: 1 17/64"
Mount: Flange	D: 3 15/64"
Vent: V	DIA: 5/16"

Part No. 1015002



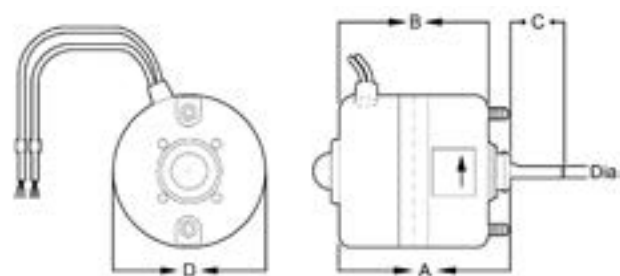
Speed: 1	A: 4 3/4"
Voltage: 12	B: 4"
Rotation: CCW	C: 1 1/2"
Mount: Stud	D: 3"
Vent: V	DIA: 5/16"

Part No. 1015006



Speed: 1	A: 4 13/32"
Voltage: 12	B: 4 1/32"
Rotation: CW	C: 1 1/2"
Mount: Stud	D: 2 15/16"
Vent: V	DIA: 9/32"

Legend:
 A = Overall Length
 B = Motor Length
 C = Shaft Length
 D = Motor Diameter
 Dia = Shaft Diameter







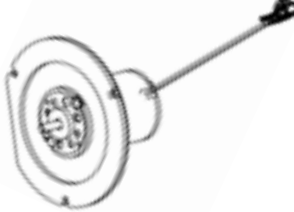



- Notes:**
1. On single shaft motor, rotation is determined by viewing motor from shaft end.
 2. On permanent magnet motors the red or orange lead is positive.





Single Shaft Motors





BLOWER MOTORS



Part No. 1017001	Part No. 1017004	Part No. 1017005	Part No. 1017006
			
Speed: 2 Voltage: 12 Rotation: CCW Mount: Stud Vent: V	Speed: 1 Voltage: 12 Rotation: CW Mount: Stud Vent: V	Speed: 1 Voltage: 12 Rotation: CW Mount: Flange Vent: V	Speed: 1 Voltage: 12 Rotation: CW Mount: Flange Vent: V
A: 5" B: 4 3/16" C: 1 3/8" D: 3 1/4" DIA: 5/16"	A: 4 1/8" B: 3 26/32" C: 1 7/8" D: 2 15/16" DIA: 5/16"	A: N/A B: N/A C: 1" D: N/A DIA: 5/16"	A: 4 2/5" B: 4 3/10" C: 1" D: N/A DIA: 5/16"


Part No. 1017008	Part No. 1018001	Part No. 1018003	Part No. 1019001
			
Speed: N/A Voltage: 12 Rotation: CW Mount: N/A Vent: V	Speed: 3 Voltage: 12 Rotation: CCW Mount: Stud Vent: V	Speed: 1 Voltage: 12 Rotation: CW Mount: Stud Vent: V	Speed: 1 Voltage: 12 Rotation: CCW Mount: Stud Vent: V
A: 4 4/5" B: 4 3/10" C: 9/10" D: N/A DIA: 5/16"	A: 5 1/8" B: 4 1/8" C: 7/8" D: 3 1/2" DIA: 3/8"	A: 4 9/32" B: 4 1/4" C: 2 1/4" D: 3" DIA: 5/16"	A: 4 3/8" B: 4" C: 1 13/16" D: 3" DIA: 5/16"

Part No. 1075003	Part No. 1075004	Part No. 1075005	Part No. 1075006
			
Speed: N/A Voltage: N/A Rotation: N/A Mount: N/A Vent: N/A	Speed: N/A Voltage: 12 Rotation: REV Mount: N/A Vent: V	Speed: 2 Voltage: 12 Rotation: CCW Mount: Stud Vent: NV	Speed: 2 Voltage: 24 Rotation: CCW Mount: Stud Vent: NV
A: N/A B: N/A C: N/A D: N/A DIA: N/A	A: 5 4/5" B: 5 1/5" C: 1 3/5" D: 4" DIA: 5/16"	A: 3 11/32" B: 2 17/32" C: 1 1/8" D: 3" DIA: 1/4"	A: 3 5/8" B: 2 3/4" C: 7/8" D: 3" DIA: 1/4"

Part No. 1075009	Part No. 1075010	Part No. 1075012	Part No. 1075013
			
Speed: 1 Voltage: 12 Rotation: CW Mount: Strap Vent: NV	Speed: 1 Voltage: 12 Rotation: CCW Mount: Strap Vent: NV	Speed: 1 Voltage: 24 Rotation: CW Mount: Strap Vent: NV	Speed: 1 Voltage: 24 Rotation: CW Mount: Strap Vent: V
A: 4 5/8" B: 4 1/8" C: 1 1/8" D: 3" DIA: 5/16"	A: 4" B: 3 3/8" C: 3/4" D: 3" DIA: 5/16"	A: 4 7/8" B: 4 1/8" C: 1 1/8" D: 3" DIA: 5/16"	A: 4 11/16" B: 3 5/8" C: 1 1/2" D: 3 1/16" DIA: 5/16"



Part No. 1075016




Speed: 1	A: 4 1/2"
Voltage: 24	B: 4 1/8"
Rotation: CW	C: 1 1/8"
Mount: Strap	D: 3"
Vent: NV	DIA: 5/16"

Part No. 1075017




Speed: 1	A: 3 7/8"
Voltage: 24	B: 3 3/8"
Rotation: CCW	C: 3/4"
Mount: Strap	D: 3"
Vent: NV	DIA: 5/16"

Part No. 1075031




Speed: 2	A: 3 11/32"
Voltage: 12	B: 2 17/32"
Rotation: CW	C: 1 1/8"
Mount: Stud	D: 3"
Vent: NV	DIA: 1/4"

Part No. 1075034



Speed: 1	A: 4 13/32"
Voltage: 24	B: 3 21/32"
Rotation: CCW	C: 1 1/32"
Mount: Stud	D: 3"
Vent: V	DIA: 5/16"

Part No. 1075035




Speed: 1	A: 4 1/32"
Voltage: 12	B: 3 3/4"
Rotation: CW	C: 2"
Mount: Stud	D: 3 1/5"
Vent: V	DIA: 5/16"

Part No. 1075037




Speed: 1	A: 4 17/32"
Voltage: 12	B: 3 21/32"
Rotation: CCW	C: 1 1/2"
Mount: Stud	D: 3"
Vent: V	DIA: 5/16"

Part No. 1075049



Speed: N/A	A: 4 1/2"
Voltage: 12	B: 4"
Rotation: CW	C: 1 1/5"
Mount: N/A	D: 3 1/10"
Vent: NV	DIA: 5/16"

Part No. 1075050




Speed: N/A	A: 4 1/2"
Voltage: 24	B: 4"
Rotation: CW	C: 1 1/5"
Mount: N/A	D: 3 1/10"
Vent: NV	DIA: 5/16"

Part No. 1075055




Speed: N/A	A: 4 1/2"
Voltage: 24	B: 4"
Rotation: CCW	C: 1 1/5"
Mount: N/A	D: 3 1/10"
Vent: NV	DIA: 5/16"

Part No. 1099003




Speed: N/A	A: 4 24/25"
Voltage: 12	B: N/A
Rotation: CW	C: 47/50"
Mount: N/A	D: N/A
Vent: V	DIA: 5/16"

Part No. 1099006




Speed: 2	A: 3 27/32"
Voltage: 12	B: 3"
Rotation: CW	C: 1 1/16"
Mount: Stud	D: 3"
Vent: NV	DIA: 5/16"

Part No. 1099007



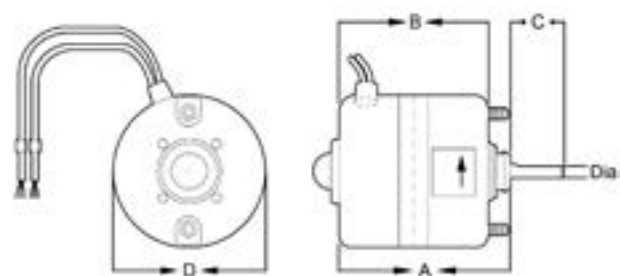
Speed: 1	A: 4 3/4"
Voltage: 12	B: 4"
Rotation: CW	C: 1 5/8"
Mount: Strap	D: 3"
Vent: V	DIA: 5/16"

Part No. 1099008



Speed: 2	A: 3 9/32"
Voltage: 12	B: 2 13/16"
Rotation: REV	C: 1 15/16"
Mount: Stud	D: 3"
Vent: NV	DIA: 5/16"

Legend:
 A = Overall Length
 B = Motor Length
 C = Shaft Length
 D = Motor Diameter
 Dia = Shaft Diameter



- Notes:**
1. On single shaft motor, rotation is determined by viewing motor from shaft end.
 2. On permanent magnet motors the red or orange lead is positive.

Single Shaft Motors

Part No. 1099011



Speed: 1	A: 4 1/4"
Voltage: 12	B: 3 5/8"
Rotation: CCW	C: 1 1/2"
Mount: Stud	D: 3"
Vent: V	DIA: 5/16"

Part No. 1099012



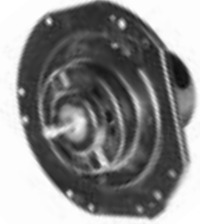
Speed: 1	A: 4 11/16"
Voltage: 12	B: 4"
Rotation: CW	C: 1 9/16"
Mount: Stud	D: 3"
Vent: V	DIA: 5/16"

Part No. 1099013



Speed: 1	A: 4 1/8"
Voltage: 12	B: N/A
Rotation: CW	C: 1 1/8"
Mount: Strap	D: 3"
Vent: NV	DIA: 5/16"

Part No. 1099014



Speed: 1	A: 4 3/4"
Voltage: 12	B: 4 1/4"
Rotation: CCW	C: 1 1/16"
Mount: Flange	D: 3 1/8"
Vent: V	DIA: 5/16"

Part No. 1099016



Speed: 1	A: 4 5/8"
Voltage: 12	B: 4"
Rotation: CW	C: 1 5/8"
Mount: Stud	D: 3"
Vent: V	DIA: 5/16"

Part No. 1099022



Speed: 1	A: 4 3/4"
Voltage: 12	B: 4"
Rotation: CCW	C: 1 9/16"
Mount: Stud	D: 3"
Vent: V	DIA: 5/16"

Part No. 1099023



Speed: 1	A: 4 13/16"
Voltage: 12	B: 4"
Rotation: CCW	C: 1 7/8"
Mount: Stud	D: 3"
Vent: V	DIA: 5/16"

Part No. 1099024



Speed: 1	A: 4 3/4"
Voltage: 12	B: 3 5/8"
Rotation: CW	C: 1 1/4"
Mount: Stud	D: 3"
Vent: V	DIA: 5/16"

Part No. 1099029



Speed: 2	A: 3 31/32"
Voltage: 12	B: 3 1/8"
Rotation: CW	C: 1 3/8"
Mount: Stud	D: 3"
Vent: V	DIA: 5/16"

Part No. 1099030



Speed: 2	A: 4 1/2"
Voltage: 12	B: 3 5/8"
Rotation: CW	C: 1 5/16"
Mount: Stud	D: 3"
Vent: V	DIA: 5/16"

Part No. 1099032



Speed: 2	A: 3 11/32"
Voltage: 12	B: 2 17/32"
Rotation: CCW	C: 1 1/8"
Mount: Stud	D: 3"
Vent: NV	DIA: 1/4"

Part No. 1099033



Speed: 2	A: 4 3/8"
Voltage: 12	B: 3 1/2"
Rotation: CW	C: 1 3/8"
Mount: Stud	D: 3"
Vent: V	DIA: 5/16"

Part No. 1099034



Speed: 1	A: 4 3/8"
Voltage: 12	B: 3 15/32"
Rotation: REV	C: 1 17/32"
Mount: Strap	D: 3"
Vent: V	DIA: 5/16"

Part No. 1099036



Speed: 2	A: 3 3/4"
Voltage: 12	B: 3 1/4"
Rotation: CW	C: 2 7/16"
Mount: Stud	D: 3"
Vent: V	DIA: 5/16"

Part No. 1099038



Speed: 2	A: 4"
Voltage: 12	B: 3 1/10"
Rotation: REV	C: 1 2/5"
Mount: Casebolt	D: 3"
Vent: V	DIA: 5/16"


Part No. 1099040



Speed: 2	A: 3 7/8"
Voltage: 12	B: 3 1/8"
Rotation: REV	C: 1 9/16"
Mount: Casebolt	D: 3"
Vent: NV	DIA: 5/16"




Part No. 1099042




Speed: 1	A: 4 1/2"
Voltage: 12	B: 3 21/32"
Rotation: CCW	C: 1 1/4"
Mount: Stud	D: 3"
Vent: V	DIA: 1/4"

Part No. 1099050




Speed: 1	A: 6 13/64"
Voltage: 12	B: 3 21/32"
Rotation: REV	C: 1 17/32"
Mount: Stud	D: 3"
Vent: V	DIA: 5/16"

Part No. 1099051




Speed: 2	A: 4 19/32"
Voltage: 12	B: 3 17/32"
Rotation: CW	C: 1"
Mount: Stud	D: 3"
Vent: V	DIA: 5/16"

Part No. 1099052




Speed: 1	A: 6 17/32"
Voltage: 12	B: 4 17/32"
Rotation: CCW	C: 1 17/32"
Mount: Stud	D: 3"
Vent: V	DIA: 5/16"

Part No. 1099053




Speed: 1	A: 6 17/32"
Voltage: 12	B: 4 17/32"
Rotation: CW	C: 1 17/32"
Mount: Stud	D: 3"
Vent: V	DIA: 5/16"

Part No. 1099054




Speed: 2	A: 5 15/16"
Voltage: 12	B: 3 35/64"
Rotation: CW	C: 1 5/16"
Mount: Stud	D: 3"
Vent: V	DIA: 5/16"

Part No. 1099055




Speed: 2	A: 5 15/16"
Voltage: 12	B: 3 35/64"
Rotation: CW	C: 7/8"
Mount: Stud	D: 3"
Vent: V	DIA: 5/16"

Part No. 1099056




Speed: 2	A: 4 17/64"
Voltage: 12	B: 2 39/64"
Rotation: CCW	C: 1/2"
Mount: Stud	D: 3"
Vent: NV	DIA: 1/4"

Part No. 1099059




Speed: 2	A: 4 49/64"
Voltage: 12	B: 2 39/64"
Rotation: CW	C: 1 7/64"
Mount: Stud	D: 3"
Vent: NV	DIA: 1/4"

Part No. 1099060




Speed: 1	A: 5 1/2"
Voltage: 12	B: 5 1/3"
Rotation: CCW	C: 1 1/3"
Mount: Strap	D: 3 1/5"
Vent: V	DIA: 5/16"

Part No. 1099062




Speed: 2	A: 4 21/32"
Voltage: 12	B: 3 15/16"
Rotation: CCW	C: 1 1/4"
Mount: Stud	D: 3"
Vent: V	DIA: 5/16"

Part No. 1099069



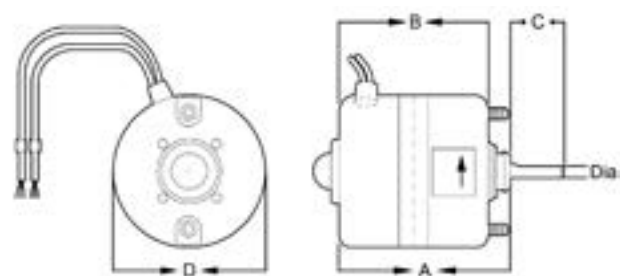
Speed: 1	A: 4 29/32"
Voltage: 12	B: 4 11/16"
Rotation: CW	C: 1 7/8"
Mount: Bracket	D: 3"
Vent: V	DIA: 5/16"

Part No. 1099070



Speed: 1	A: 4 51/64"
Voltage: 12	B: 4"
Rotation: CW	C: 1 37/64"
Mount: Bracket	D: 3"
Vent: V	DIA: 5/16"

Legend:
 A = Overall Length
 B = Motor Length
 C = Shaft Length
 D = Motor Diameter
 Dia = Shaft Diameter



- Notes:**
1. On single shaft motor, rotation is determined by viewing motor from shaft end.
 2. On permanent magnet motors the red or orange lead is positive.

Single Shaft Motors

BLOWER MOTORS



Part No. 1099072	Part No. 1099074	Part No. 1099075	Part No. 1099078
Speed: 2 Voltage: 24 Rotation: CW Mount: N/A Vent: N/A	Speed: 2 Voltage: 24 Rotation: CW Mount: N/A Vent: V	Speed: N/A Voltage: 24 Rotation: CCW Mount: N/A Vent: NV	Speed: 2 Voltage: 24 Rotation: CW Mount: Stud Vent: NV
A: 2 4/5" B: 2 1/2" C: 47/50" D: 3" DIA: 1/4"	A: 3 7/10" B: 3 3/10" C: 1 2/5" D: 3" DIA: 5/16"	A: 4 3/5" B: 4" C: 1 3/10" D: 3" DIA: 5/16"	A: 3 3/4" B: 3" C: 1 3/8" D: 3" DIA: 5/16"

Part No. 1099080	Part No. 1099087	Part No. 1099088	Part No. 1099113
Speed: 2 Voltage: 12 Rotation: CW Mount: Stud Vent: NV	Speed: N/A Voltage: 12 Rotation: CW Mount: N/A Vent: NV	Speed: 1 Voltage: 24 Rotation: CW Mount: Stud Vent: V	Speed: 2 Voltage: 12 Rotation: CW Mount: N/A Vent: V
A: 3 1/2" B: 2 1/2" C: 1" D: 3" DIA: 1/4"	A: 4 1/2" B: 4" C: 1 1/5" D: 3" DIA: 5/16"	A: 4 13/32" B: 4 3/16" C: 1 1/4" D: 3" DIA: 5/16"	A: 4" B: 3 7/10" C: 1 1/4" D: 3" DIA: 1/4"

Part No. 1099118	Part No. 1099122	Part No. 1099124	Part No. 1099126
Speed: 2 Voltage: 12 Rotation: CW Mount: N/A Vent: V	Speed: 2 Voltage: 12 Rotation: CCW Mount: N/A Vent: V	Speed: 2 Voltage: 12 Rotation: CW Mount: N/A Vent: N/A	Speed: 1 Voltage: 24 Rotation: CW Mount: N/A Vent: N/A
A: 4" B: 3 1/2" C: 1" D: 3" DIA: 1/4"	A: 3" B: 2 3/5" C: 1" D: 3" DIA: 1/4"	A: 3 2/5" B: 2 1/2" C: 1 1/5" D: 3" DIA: 1/4"	A: 4 1/2" B: 4 1/5" C: 1 3/5" D: 3" DIA: 1/4"

Part No. 1099127	Part No. 1099128	Part No. 1099135	Part No. 1099137
Speed: N/A Voltage: 12 Rotation: CW Mount: N/A Vent: V	Speed: 1 Voltage: 12 Rotation: CW Mount: N/A Vent: V	Speed: 2 Voltage: 12 Rotation: CW Mount: N/A Vent: V	Speed: 1 Voltage: 12 Rotation: CW Mount: N/A Vent: V
A: 4 9/10" B: 4 1/10" C: 1 9/10" D: 3" DIA: 1/4"	A: 4 9/10" B: 4 1/2" C: 1 1/2" D: 3" DIA: 1/4"	A: 4" B: 3 1/2" C: N/A D: 3" DIA: 1/4"	A: 5 1/5" B: 4 7/25" C: 47/50" D: 3" DIA: 5/16"

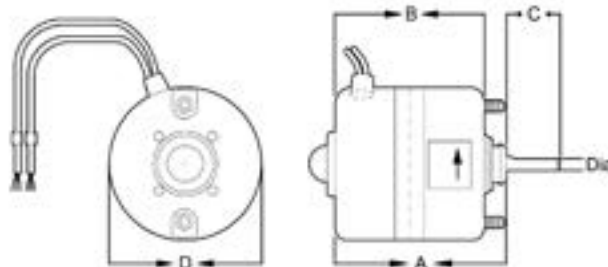
Part No. 1099146



Legend:

- A = Overall Length
- B = Motor Length
- C = Shaft Length
- D = Motor Diameter
- Dia = Shaft Diameter

Speed:	1	A:	4 9/10"
Voltage:	12	B:	4 5/10"
Rotation:	CW	C:	1 3/5"
Mount:	N/A	D:	3"
Vent:	V	DIA:	5/16"



Notes:

1. On single shaft motor, rotation is determined by viewing motor from shaft end.
2. On permanent magnet motors the red or orange lead is positive.

Motor Specifications

Speed	Volt	Rotation	Mount	A	B	C	D	Dia.	Vent	Part No.
1	12	CW/CCW	Stud	4 57/64"	4 7/8"	1 3/4"	3 7/32"	5/16"	V	1010017
1	12	CW	Flange	4 1/2"	3 5/8"	13/16"	3 1/4"	5/16"	V	1011003
1	12	CW/CCW	Flange	4 7/16"	N/A	1 3/32"	3 7/32"	5/16"	V	1011005
1	12	REV	Stud	3 3/4"	2 5/16"	1 3/4"	3"	1/4"	NV	1011010
1	12	CW/CCW	Stud	4 13/64"	3 5/16"	1 7/8"	2 27/32"	5/16"	NV	1011011
1	12	CW/CCW	Stud	4 3/4"	4"	1 1/2"	3	5/16"	A/C & HD Heater	1011012
1	12	CW	Flange	4 7/8"	4 1/8"	1 1/16"	3 1/4"	5/16"	NV	1011013
1	12	CCW	Flange	4 1/4"	3 3/4"	1 1/4"	3 1/4"	5/16"	V	1011014
1	12	CW	Plate	5"	4 1/4"	1"	3"	5/16"	V	1011016
1	12	CW	Stud	4 1/2"	3 7/8"	1 3/8"	3"	5/16"	V	1012002
2	12	CW	Stud	3 5/8"	2 3/4"	5/8"	3"	1/4"	NV	1012003
1	12	CCW	Stud	4 3/4"	4 3/8"	1 9/16"	3 3/4"	5/16"	V	1012004
1	12	CCW	Strap	4 7/8"	4"	1 1/8"	3"	5/16"	NV	1012008
1	12	CW	Stud	4 1/2"	3 5/8"	1 1/2"	3"	5/16"	V	1012009
2	12	REV	Stud	3 33/64"	3 1/64"	1 1/2"	3"	5/16"	V	1012015
1	12	CW	Flange	4 5/8"	4 3/32"	1 5/16"	3"	5/16"	V	1013004
1	12	CCW	Flange	3 63/64"	3 45/64"	1"	3 13/64"	5/16"	V	1013005
2	24	CW	N/A	2 19/20"	2 1/2"	1 1/10"	3"	1/4"	NV	1013006
1	12	CW/CCW	Strap	4 1/64"	3 51/64"	1 53/64"	2 59/64"	5/16"	V	1013007
2	12	CS	Stud	4 3/16"	3 35/64"	1"	3"	5/16"	V	1013009
1	12	CW/	Strap	4 63/64"	3 17/32"	1 21/64"	2 59/64"	5/16"	V	1014002
1	12	CCW	Stud	4 25/32"	4 1/32"	1"	3 7/32"	9/32"	V	1014003
1	24	CW	Stud	4 29/64"	4"	1 9/16"	3"	5/16"	NV	1014004
1	12	CW	Stud	4 39/64"	4"	1 3/8"	3 13/64"	9/32"	V	1014005
1	12	CW	N/A	4 3/16"	4"	1 31/64"	3 13/64"	9/32"	V	1014007
1	12	CW	Flange	4 5/8"	4 3/16"	1 17/64"	3 15/64"	5/16"	V	1015001
1	12	CCW	Stud	4 3/4"	4"	1 1/2"	3"	5/16"	V	1015002
1	12	CW	Stud	4 3/4"	4"	1 1/2"	3"	5/16"	V	1015006
2	12	CCW	Stud	5"	4 3/16"	1 3/8"	3 1/4"	5/16"	V	1017001
1	12	CW	Stud	4 1/8"	3 26/32"	1 7/8"	2 15/16"	5/16"	V	1017004
1	12	CW	Flange	N/A	N/A	1"	N/A	5/16"	V	1017005
1	12	CW	Flange	4 2/5"	4 3/10"	1"	N/A	5/16"	V	1017006
N/A	12	CW	N/A	4 4/5"	4 3/10"	9/10"	N/A	5/16"	V	1017008
3	12	CCW	Stud	5 1/8"	4 1/8"	7/8"	3 1/2"	3/8"	V	1018001
1	12	CW	Stud	4 9/32"	4 1/4"	2 1/4"	3"	5/16"	V	1018003
1	12	CCW	Stud	4 3/8"	4"	1 13/16"	3"	5/16"	V	1019001
N/A	N/A	N/A	N/A	N/A	N/A	N/A	N/A	N/A	N/A	1075003
N/A	12	REV	N/A	5 4/5"	5 1/5"	1 3/5"	4"	5/16"	NV	1075004
2	12	CCW	Stud	3 11/32"	2 17/32"	1 1/8"	3"	1/4"	NV	1075005
2	24	CCW	Stud	3 5/8"	2 3/4"	7/8"	3"	1/4"	NV	1075006

Single Shaft Motors

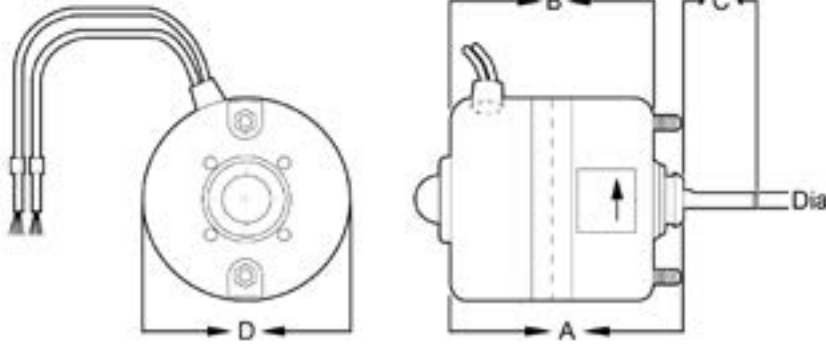
Motor Specifications



Speed	Volt	Rotation	Mount	A	B	C	D	Dia.	Vent	Part No.
1	12	CW	Strap	4 5/8"	4 1/8"	1 1/8"	3"	5/16"	NV	1075009
1	12	CCW	Strap	4"	3 3/8"	3/4"	3"	5/16"	NV	1075010
1	24	CW	Strap	4 7/8"	4 1/8"	1 1/8"	3"	5/16"	NV	1075012
1	24	CW	Strap	4 11/16"	3 5/8"	1 1/2"	3 1/16"	5/16"	V	1075013
1	24	CW	Strap	4 1/2"	4 1/8"	1 1/8"	3"	5/16"	NV	1075016
1	24	CCW	Strap	3 7/8"	3 3/8"	3/4"	3"	5/16"	NV	1075017
2	12	CW	Stud	3 11/32"	2 17/32"	1 1/8"	3"	1/4"	NV	1075031
1	24	CCW	Stud	4 13/32"	3 21/32"	1 1/32"	3"	5/16"	V	1075034
1	12	CW	Stud	4 1/32"	3 3/4"	2"	3 1/5"	5/16"	V	1075035
1	12	CCW	Stud	4 17/32"	3 21/32"	1 1/2"	3"	5/16"	V	1075037
N/A	12	CW	N/A	4 1/2"	4"	1 1/5"	3 1/10"	5/16"	NV	1075049
N/A	24	CW	N/A	4 1/2"	4"	1 1/5"	3 1/10"	5/16"	NV	1075050
N/A	24	CCW	N/A	4 1/2"	4"	1 1/5"	3 1/10"	5/16"	NV	1075055
N/A	12	CW	N/A	4 24/25"	N/A	47/50"	N/A	5/16"	V	1099003
2	12	CW	Stud	3 27/32"	3"	1 1/16"	3"	5/16"	NV	1099006
1	12	CW	Strap	4 3/4"	4"	1 5/8"	3"	5/16"	V	1099007
1	12	REV	Stud	3 9/32"	2 13/16"	1 15/16"	3"	5/16"	NV	1099008
1	12	CCW	Stud	4 1/4"	3 5/8"	1 1/2"	3"	5/16"	V	1099011
1	12	CW	Stud	4 11/16"	4"	1 9/16"	3"	5/16"	V	1099012
1	12	CW	Strap	4 1/8"	4 1/8"	1 1/8"	3"	5/16"	NV	1099013
1	12	CCW	Flange	4 3/4"	4 1/4"	1 1/16"	3 1/8"	5/16"	V	1099014
1	12	CW	Stud	4 5/8"	4"	1 5/8"	3"	5/16"	V	1099016
1	12	CCW	Stud	4 3/4"	4"	1 9/16"	3"	5/16"	V	1099022
1	12	CCW	Stud	4 13/16"	4"	1 7/8"	3"	5/16"	V	1099023
1	12	CW	Stud	4 3/4"	3 5/8"	1 1/4"	3"	5/16"	V	1099024
2	12	CW	Stud	3 31/32"	3 1/8"	1 3/8"	3"	5/16"	V	1099029
2	12	CW	Stud	4 1/2"	3 5/8"	1 5/16"	3"	5/16"	V	1099030
2	12	CCW	Stud	3 11/32"	2 17/32"	1 1/8"	3"	1/4"	NV	1099032
2	12	CW	Stud	4 3/8"	3 1/2"	1 3/8"	3"	5/16"	V	1099033
1	12	REV	Strap	4 3/8"	3 15/32"	1 17/32"	3"	5/16"	V	1099034
2	12	CW	Stud	3 3/4"	3 1/4"	2 7/16"	3"	5/16"	V	1099036
2	12	REV	Casebolt	4"	3 1/10"	1 2/5"	3"	5/16"	V	1099038
2	12	REV	Casebolt	3 7/8"	3 1/8"	1 9/16"	3"	5/16"	NV	1099040
1	12	CCW	Stud	4 1/2"	3 21/32"	1 1/4"	3"	9/32"	V	1099042
1	12	REV	Stud	6 13/64"	3 21/32"	1 17/32"	3"	5/16"	V	1099050
2	12	CW	Stud	4 19/32"	3 17/32"	1"	3"	5/16"	V	1099051
1	12	CCW	Stud	6 17/32"	4 17/32"	1 17/32"	3"	5/16"	V	1099052
1	12	CW	Stud	6 17/32"	4 17/32"	1 17/32"	3"	5/16"	V	1099053
2	12	CW	Stud	5 15/16"	3 35/64"	1 5/16"	3"	5/16"	V	1099054
2	12	CCW	Stud	5 15/16"	3 35/64"	7/8"	3"	5/16"	V	1099055
2	12	CCW	Stud	4 17/64"	2 39/64"	1/2"	3"	1/4"	NV	1099056
2	12	CW	Stud	4 49/64"	2 39/64"	1 7/64"	3"	1/4"	NV	1099059
1	12	CCW	Strap	5 1/2"	5 1/3"	1 1/3"	3 1/5"	5/16"	V	1099060
2	12	CCW	Stud	4 21/32"	3 15/16"	1 1/4"	3"	5/16"	V	1099062
1	12	CW	Bracket	4 29/32"	4 11/16"	1 7/8"	3"	5/16"	V	1099069
1	12	CW	Bracket	4 51/64"	4"	1 37/64"	3"	5/16"	V	1099070
2	24	CW	N/A	2 4/5"	2 1/2"	47/50"	3"	1/4"	N/A	1099072
2	24	CW	N/A	3 7/10"	3 3/10"	1 2/5"	3"	5/16"	V	1099074
N/A	24	CCW	N/A	4 3/5"	4"	1 3/10"	3"	5/16"	NV	1099075
2	24	CW	Stud	3 3/4"	3"	1 3/8"	3"	5/16"	NV	1099078
2	12	CW	Stud	3 1/2"	2 1/2"	1"	3"	1/4"	NV	1099080
N/A	12	CW	N/A	4 1/2"	4"	1 1/5"	3"	5/16"	NV	1099087
1	24	CW	Stud	4 13/32"	4 3/16"	1 1/4"	3"	5/16"	V	1099088
2	12	CW	N/A	4"	3 7/10"	1 1/4"	3"	1/4"	V	1099113
2	12	CW	N/A	4"	3 1/2"	1"	3"	1/4"	V	1099118

Motor Specifications

Speed	Volt	Rotation	Mount	A	B	C	D	Dia.	Vent	Part No.
2	12	CW	N/A	3 2/5"	2 1/2"	1 1/5"	3"	1/4"	N/A	1099124
2	12	CCW	N/A	3"	2 3/5"	1"	3"	1/4"	V	1099122
1	24	CW	N/A	4 1/2"	4 1/5"	1 3/5"	3"	1/4"	N/A	1099126
N/A	12	CW	N/A	4 9/10"	4 1/10"	1 9/10"	3"	1/4"	V	1099127
1	12	CW	N/A	4 9/10"	4 1/2"	1 1/2"	3"	1/4"	V	1099128
2	12	CW	N/A	4"	3 1/2"	N/A	3"	1/4"	V	1099135
1	12	CW	N/A	5 1/5"	4 7/25"	47/50"	3"	5/16"	V	1099137
1	12	CW	N/A	4 9/10"	4 5/10"	1 3/5"	3"	5/16"	V	1099146



Notes:

1. On single shaft motor, rotation is determined by viewing motor from shaft end.
2. On permanent magnet motors the red or orange lead is positive.

Legend:

- A = Overall Length
- B = Motor Length
- C = Shaft Length
- D = Motor Diameter
- Dia = Shaft Diameter



Double Shaft Motors



Part No. 1011015



Speed: 3	A: 3 3/4"
Voltage: 12	B: 3 13/32"
Rotation: CCW	C: 3 1/8"
Mount: Stud	D: 3"
Vent: V	DIA: 5/16"

Part No. 1014001



Speed: 1	A: 6"
Voltage: 24	B: 3 15/16"
Rotation: CCW	C: 2"
Mount: Strap	D: 3"
Vent: V	DIA: 5/16"

Part No. 1014006



Speed: 1	A: 5 3/10"
Voltage: 12	B: 4 1/2"
Rotation: N/A	C: 2 3/5"
Mount: N/A	D: 3"
Vent: V	DIA: 5/16"

Part No. 1017002



Speed: 1	A: 5 1/2"
Voltage: 12	B: 5"
Rotation: PM	C: 2 5/8"
Mount: Stud	D: 3"
Vent: NV	DIA: 3/8"

Part No. 1017003



Speed: 1	A: 4 1/2"
Voltage: 12	B: 4"
Rotation: PM	C: 2 5/16"
Mount: Strap	D: 3"
Vent: V	DIA: 5/16"

Part No. 1075011



Speed: 1	A: 5 3/8"
Voltage: 24	B: 3 5/16"
Rotation: CCW	C: 3 5/8"
Mount: Strap	D: 3"
Vent: V	DIA: 5/16"

Part No. 1075014



Speed: 1	A: 4 7/10"
Voltage: 24	B: 4 1/3"
Rotation: CW	C: 3"
Mount: Strap	D: 3"
Vent: NV	DIA: 5/16"

Part No. 1075015



Speed: 1	A: 4 3/5"
Voltage: 24	B: 4 3/10"
Rotation: N/A	C: 2 1/2"
Mount: N/A	D: 3"
Vent: V	DIA: 5/16"

Part No. 1075033



Speed: 1	A: 4 3/5"
Voltage: 12	B: 4 7/10"
Rotation: CCW	C: 2 1/2"
Mount: N/A	D: 3"
Vent: V	DIA: 5/16"

Part No. 1075036



Speed: 1	A: 4 4/5"
Voltage: 12	B: 4 1/2"
Rotation: CW	C: 2 3/5"
Mount: N/A	D: 3"
Vent: V	DIA: N/A

Part No. 1075051



Speed: N/A	A: 4 4/5"
Voltage: 12	B: 3 3/5"
Rotation: CW	C: 2 7/10"
Mount: N/A	D: 3"
Vent: V	DIA: 5/16"

Part No. 1099002



Speed: 1	A: 4 3/5"
Voltage: 12	B: 4"
Rotation: CW	C: 2 4/5"
Mount: Strap	D: 3"
Vent: V	DIA: 5/16"

Part No. 1099004



Speed: 1	A: 4 3/4"
Voltage: 12	B: 4 1/2"
Rotation: CCW	C: 2 1/2"
Mount: Stud	D: 3"
Vent: V	DIA: 5/16"

Part No. 1099015



Speed: 1	A: 4"
Voltage: 12	B: 3 3/8"
Rotation: CCW	C: 3 1/8"
Mount: Strap	D: 3"
Vent: V	DIA: 5/16"

Part No. 1099017



Speed: 1	A: 5 1/4"
Voltage: 12	B: 4 1/2"
Rotation: PM	C: 2 7/8"
Mount: Stud	D: 3"
Vent: V	DIA: 5/16"





Part No. 1099018








Speed: 1	A: 5 9/32"
Voltage: 12	B: 4 17/32"
Rotation: CCW	C: 2 7/8"
Mount: Strap	D: 3"
Vent: V	DIA: 5/16"



Part No. 1099019	Part No. 1099020	Part No. 1099021	Part No. 1099025
			
Speed: 1 A: 4 4/5" Voltage: 24 B: 4" Rotation: CCW C: 2 1/2" Mount: Stud D: 3" Vent: V DIA: 5/16"	Speed: 1 A: 5 9/32" Voltage: 12 B: 4 17/32" Rotation: CCW C: 2 3/8" Mount: Strap D: 3" Vent: V DIA: 5/16"	Speed: 1 A: 4 2/5" Voltage: 12 B: 4 1/8" Rotation: CCW C: 3 4/5" Mount: Strap D: 3" Vent: V DIA: 5/16"	Speed: 1 A: 5 9/32" Voltage: 12 B: 4 17/32" Rotation: CCW C: 2 9/32" Mount: Strap D: 3" Vent: V DIA: 5/16"

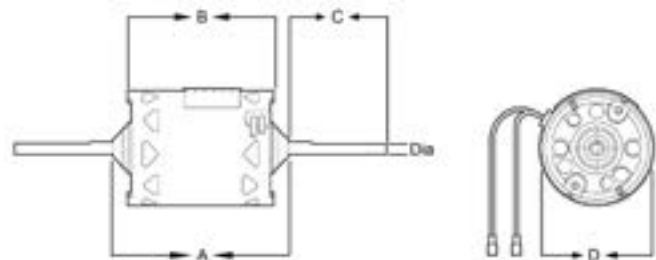
Part No. 1099026	Part No. 1099046	Part No. 1099047	Part No. 1099048
			
Speed: 1 A: 5 13/32" Voltage: 12 B: 4 17/32" Rotation: CCW C: 2 5/16" Mount: Stud D: 3" Vent: V DIA: 5/16"	Speed: 3 A: 5" Voltage: 12 B: 4 1/5" Rotation: CW C: 2 2/5" Mount: Stud D: 3 3/5" Vent: V DIA: 5/16"	Speed: 1 A: 4 3/4" Voltage: 12 B: 3 15/16" Rotation: CCW C: 2 21/32" Mount: Strap D: 3" Vent: V DIA: 5/16"	Speed: 3 A: 3 1/2" Voltage: 12 B: 3" Rotation: REV C: 3" Mount: Strap D: 3" Vent: V DIA: 5/16"

Part No. 1099049	Part No. 1099065	Part No. 1099081	Part No. 1099089
			
Speed: 1 A: 4 7/10" Voltage: 12 B: 4 3/10" Rotation: CW C: 3" Mount: Stud D: 3" Vent: NV DIA: 5/16"	Speed: 1 A: 4 7/8" Voltage: 12 B: 4 1/2" Rotation: N/A C: 2 1/2" Mount: Stud D: 3" Vent: V DIA: 5/16"	Speed: N/A A: 5 2/5" Voltage: 12 B: 4 1/2" Rotation: CW C: 2 4/5" Mount: N/A D: 3" Vent: N/A DIA: 5/16"	Speed: N/A A: N/A Voltage: N/A B: N/A Rotation: N/A C: N/A Mount: N/A D: N/A Vent: N/A DIA: N/A

Part No. 1099091

Speed: 1 A: 5" Voltage: 24 B: 4" Rotation: CW C: 3" Mount: Casebolt D: 3" Vent: NV DIA: 5/16"

Legend:

- A = Overall Length
- B = Motor Length
- C = Shaft Length
- D = Motor Diameter
- Dia = Shaft Diameter



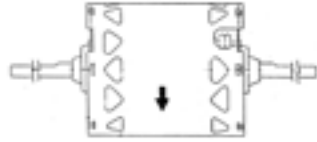
Notes:

On single shaft motor, rotation is determined by viewing motor from shaft end.

Double Shaft Motors

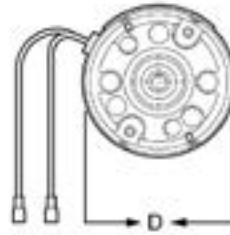
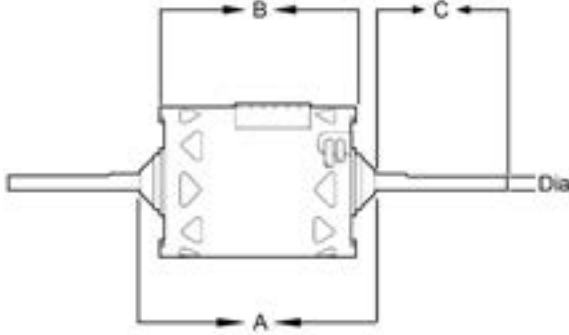
Part No. 1099104

Part No. 1099147



Speed: 1	A: 4 1/4"
Voltage: 12	B: 4"
Rotation: CCW	C: 2 4/5"
Mount: N/A	D: 3"
Vent: V	DIA: 5/16"

Speed: 1	A: 4 2/5"
Voltage: 24	B: 3 9/10"
Rotation: CW	C: 2 3/5"
Mount: N/A	D: 3"
Vent: V	DIA: 5/16"



Notes:

On single shaft motor, rotation is determined by viewing motor from shaft end.

Legend:

- A = Overall Length
- B = Motor Length
- C = Shaft Length
- D = Motor Diameter
- Dia = Shaft Diameter

Motor Specifications

Speed	Volt	Rotation	Mount	A	B	C	D	Dia.	Vent	Part No.
3	12	CCW	Stud	3 3/4"	3 13/32"	3 1/8"	3"	5/16"	V	1011015
1	24	CCW	Strap	6"	3 15/16"	2"	3"	5/16"	V	1014001
1	12	N/A	N/A	5 3/10"	4 1/2"	2 3/5"	3"	5/16"	V	1014006
1	12	PM	Stud	5 1/2"	5"	2 5/8"	3"	3/8"	NV	1017002
1	12	PM	Strap	4 1/2"	4"	2 5/16"	3"	5/16"	V	1017003
1	24	CCW	Strap	5 3/8"	3 5/16"	3 5/8"	3"	5/16"	V	1075011
1	24	CW	Strap	4 7/10"	4 1/3"	3"	3"	5/16"	NV	1075014
1	24	N/A	N/A	4 3/5"	4 3/10"	2 1/2"	3"	5/16"	V	1075015
1	12	CCW	N/A	4 3/5"	4 3/10"	2 1/2"	3"	5/16"	V	1075033
1	12	CW	N/A	4 4/5"	4 1/2"	2 3/5"	3"	N/A	V	1075036
N/A	12	CW	N/A	4 4/5"	3 3/5"	2 7/10"	3"	5/16"	V	1075051
1	12	CW	Strap	4 3/5"	4"	2 4/5"	3"	5/16"	V	1099002
1	12	CCW	Stud	4 3/4"	4 1/2"	2 1/2"	3"	5/16"	V	1099004
1	12	CCW	Strap	4"	3 3/8"	3 1/8"	3"	5/16"	V	1099015
1	12	PM	Stud	5 1/4"	4 1/2"	2 7/8"	3"	5/16"	V	1099017
1	12	CCW	Strap	5 9/32"	4 17/32"	2 7/8"	3"	5/16"	V	1099018
1	24	CCW	Stud	4 4/5"	4"	2 1/2"	3"	5/16"	V	1099019
1	12	CCW	Strap	5 9/32"	4 17/32"	2 3/8"	3"	5/16"	NV	1099020
1	12	CCW	Strap	4 2/5"	4 1/8"	3 4/5"	3"	5/16"	V	1099021
1	12	CCW	Strap	5 9/32"	4 17/32"	2 9/32"	3"	5/16"	V	1099025
1	12	CCW	Stud	5 13/32"	4 17/32"	2 5/16"	3"	5/16"	V	1099026
3	12	CW	Stud	5"	4 1/5"	4 2/5"	3 3/5"	5/16"	V	1099046
1	12	CCW	Strap	4 3/4"	3 15/16"	2 21/32"	3"	5/16"	V	1099047
3	12	REV	Strap	3 1/2"	3"	3"	3"	5/16"	V	1099048
1	12	CW	Stud	4 7/10"	4 3/10"	3"	3"	5/16"	NV	1099049
1	12	N/A	Stud	4 7/8"	4 1/2"	2 1/2"	3"	5/16"	V	1099065
N/A	12	CW	N/A	5 2/5"	4 1/2"	2 4/5"	3"	5/16"	N/A	1099081
N/A	N/A	N/A	N/A	N/A	N/A	N/A	N/A	N/A	N/A	1099089
1	24	CW	Casebolt	5"	4"	3"	3"	5/16"	NV	1099091
1	12	CCW	N/A	4 1/4"	4"	2 4/5"	3"	5/16"	V	1099104
1	24	CW	N/A	4 2/5"	3 9/10"	2 3/5"	3"	5/16"	V	1099147



Blower Assemblies

BLOWER MOTORS



Part No. 1010004	Part No. 1012005	Part No. 1012006	Part No. 1012010
Speed: 1	Speed: 1	Speed: 1	Speed: 1
A: 4 1/8"	A: N/A	A: 4 13/32"	A: 13 3/4"
Voltage: 12	Voltage: 12	Voltage: 12	Voltage: 12
B: N/A	B: N/A	B: 3 13/16"	B: 5 3/8"
Rotation: CW	Rotation: N/A	Rotation: CCW	Rotation: N/A
C: 1 3/8"	C: N/A	C: 1 1/2"	C: 5 1/8"
Mount: Flange	Mount: N/A	Mount: Flange	Mount: N/A
D: 3 1/8"	D: N/A	D: 3"	D: N/A
Vent: V	Vent: V	Vent: V	Vent: N/A
DIA: 5/16"	DIA: 5/16"	DIA: 5/16"	DIA: N/A

Part No. 1012014	Part No. 1012016	Part No. 1012018	Part No. 1013008
Speed: N/A	Speed: 1	Speed: N/A	Speed: 1
A: N/A	A: N/A	A: N/A	A: 4 5/8"
Voltage: N/A	Voltage: 12	Voltage: N/A	Voltage: 12
B: N/A	B: N/A	B: N/A	B: 4 1/32"
Rotation: N/A	Rotation: CW	Rotation: N/A	Rotation: CW
C: N/A	C: N/A	C: N/A	C: 1 25/32"
Mount: N/A	Mount: N/A	Mount: N/A	Mount: N/A
D: N/A	D: N/A	D: N/A	D: 3"
Vent: N/A	Vent: V	Vent: N/A	Vent: V
DIA: N/A	DIA: N/A	DIA: N/A	DIA: 5/16"

Part No. 1013011	Part No. 1013012	Part No. 1013013	Part No. 1015007
Speed: N/A	Speed: N/A	Speed: N/A	Speed: 1
A: 12 9/10"	A: 6 7/16"	A: N/A	A: 4 3/8"
Voltage: 12	Voltage: 12	Voltage: 12	Voltage: 12
B: 6 2/5"	B: 7 13/64"	B: 6 13/32"	B: 4"
Rotation: N/A	Rotation: N/A	Rotation: CW	Rotation: CW
C: N/A	C: N/A	C: N/A	C: 1 7/16"
Mount: N/A	Mount: N/A	Mount: N/A	Mount: Strap
D: N/A	D: 3"	D: 3"	D: 3"
Vent: N/A	Vent: N/A	Vent: N/A	Vent: V
DIA: N/A	DIA: N/A	DIA: 1/4"	DIA: 5/16"

Part No. 1017007	Part No. 1018002	Part No. 1018005	Part No. 1018006
Speed: N/A	Speed: 1	Speed: N/A	Speed: N/A
A: N/A	A: 5"	A: N/A	A: N/A
Voltage: N/A	Voltage: 12	Voltage: N/A	Voltage: N/A
B: N/A	B: 4 9/32"	B: N/A	B: N/A
Rotation: N/A	Rotation: CCW	Rotation: N/A	Rotation: N/A
C: N/A	C: 1 1/4"	C: N/A	C: N/A
Mount: N/A	Mount: Stud	Mount: N/A	Mount: N/A
D: N/A	D: 3"	D: N/A	D: N/A
Vent: N/A	Vent: V	Vent: N/A	Vent: V
DIA: N/A	DIA: 5/16"	DIA: N/A	DIA: N/A



Part No. 1018007



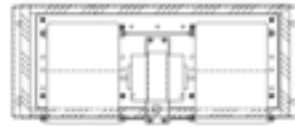
Speed: 1	A: N/A
Voltage: 12	B: N/A
Rotation: N/A	C: N/A
Mount: N/A	D: N/A
Vent: V	DIA: N/A

Part No. 1075018



Speed: 1	A: 14 4/5"
Voltage: 12	B: 6 1/10"
Rotation: CW	C: 6 17/20"
Mount: N/A	D: 7 3/5"
Vent: V	DIA: N/A

Part No. 1075019



Speed: N/A	A: N/A
Voltage: 12	B: N/A
Rotation: N/A	C: N/A
Mount: N/A	D: N/A
Vent: N/A	DIA: N/A

Part No. 1075020



Speed: 1	A: 13 25/32"
Voltage: 12	B: 5 21/64"
Rotation: N/A	C: 5 17/32"
Mount: N/A	D: 6 41/64"
Vent: V	DIA: N/A

Part No. 1075023



Speed: 1	A: 13 9/10"
Voltage: 12	B: 4 1/10"
Rotation: N/A	C: 4 2/5"
Mount: N/A	D: 5"
Vent: N/A	DIA: N/A

Part No. 1075024



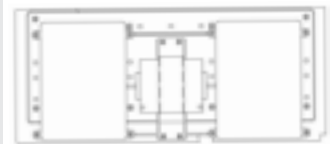
Speed: 1	A: 13 9/10"
Voltage: 24	B: 4 1/10"
Rotation: N/A	C: 4 2/5"
Mount: N/A	D: 5"
Vent: N/A	DIA: N/A

Part No. 1075025



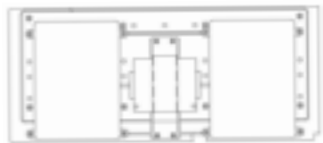
Speed: 1	A: 13 4/5"
Voltage: 24	B: 5 3/10"
Rotation: N/A	C: 5 1/2"
Mount: N/A	D: 6 16/25"
Vent: N/A	DIA: N/A

Part No. 1075028



Speed: N/A	A: N/A
Voltage: 12	B: N/A
Rotation: N/A	C: N/A
Mount: N/A	D: N/A
Vent: N/A	DIA: N/A

Part No. 1075029



Speed: N/A	A: N/A
Voltage: 24	B: N/A
Rotation: N/A	C: N/A
Mount: N/A	D: N/A
Vent: N/A	DIA: N/A

Part No. 1075044



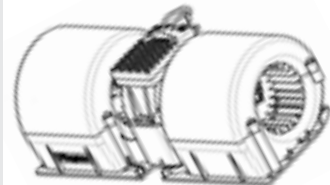
Speed: N/A	A: 13 4/5"
Voltage: 12	B: 5 3/10"
Rotation: N/A	C: 5 1/2"
Mount: N/A	D: 6 7/10"
Vent: V	DIA: N/A

Part No. 1075046



Speed: 1	A: 13 4/5"
Voltage: 24	B: 5 3/10"
Rotation: N/A	C: 5 1/2"
Mount: N/A	D: 6 7/10"
Vent: N/A	DIA: N/A

Part No. 1075047



Speed: 1	A: 12 4/5"
Voltage: 12	B: 4 1/2"
Rotation: N/A	C: N/A
Mount: N/A	D: 5 1/10"
Vent: V	DIA: N/A

Part No. 1075048

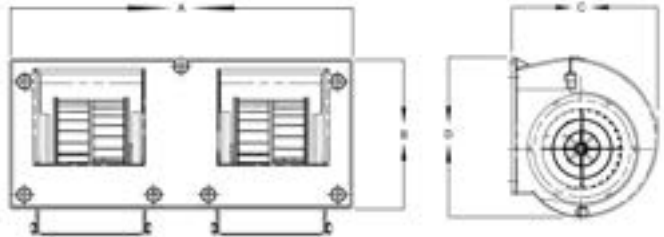


Speed: 1	A: 13 4/5"
Voltage: 24	B: 5 3/10"
Rotation: N/A	C: 5 1/2"
Mount: N/A	D: 6 7/10"
Vent: V	DIA: N/A

Part No. 1099063







Speed: 1	A: 4 3/4"
Voltage: 12	B: 4 7/16"
Rotation: CW	C: 1 1/2"
Mount: Flange	D: 3"
Vent: V	DIA: 5/16"











Blower Assemblies




BLOWER MOTORS




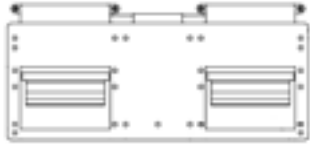


Part No. 1099064	Part No. 1099077	Part No. 1099084	Part No. 1099090
			
Speed: 1 Voltage: 12 Rotation: CCW Mount: Flange Vent: V	Speed: 3 Voltage: 12 Rotation: N/A Mount: N/A Vent: N/A	Speed: 1 Voltage: 12 Rotation: CW Mount: N/A Vent: N/A	Speed: 2 Voltage: 12 Rotation: N/A Mount: N/A Vent: N/A
A: 4 3/4" B: 4 7/16" C: 1 1/2" D: 3" DIA: 5/16"	A: 13 7/8" B: 3 63/64" C: 4 15/64" D: 5" DIA: N/A	A: 14 51/64" B: 6 1/2" C: 6 27/32" D: 7 19/32" DIA: N/A	A: 13 7/8" B: 3 63/64" C: 4 15/64" D: 5" DIA: N/A





Part No. 1099095	Part No. 1099096	Part No. 1099097	Part No. 1099098
			
Speed: 1 Voltage: 12 Rotation: N/A Mount: N/A Vent: N/A	Speed: N/A Voltage: N/A Rotation: N/A Mount: N/A Vent: N/A	Speed: 1 Voltage: 12 Rotation: N/A Mount: N/A Vent: V	Speed: N/A Voltage: N/A Rotation: N/A Mount: N/A Vent: N/A
A: 13 4/5" B: 5 8/25" C: 5 13/25" D: 6 16/25" DIA: N/A	A: N/A B: N/A C: N/A D: N/A DIA: N/A	A: 13 25/32" B: 5 21/64" C: 5 1/2" D: 6 7/10" DIA: N/A	A: N/A B: N/A C: N/A D: N/A DIA: N/A

Part No. 1099101	Part No. 1099114	Part No. 1099116	Part No. 1099117
			
Speed: 1 Voltage: 12 Rotation: CW Mount: N/A Vent: V	Speed: N/A Voltage: N/A Rotation: N/A Mount: N/A Vent: V	Speed: 1 Voltage: 12 Rotation: N/A Mount: N/A Vent: V	Speed: N/A Voltage: 12 Rotation: N/A Mount: N/A Vent: N/A
A: 14 51/64" B: 6 1/2" C: 6 55/64" D: 7 19/32" DIA: N/A	A: 27 7/10" B: 9 1/10" C: N/A D: N/A DIA: N/A	A: 4 3/8" B: 3 15/32" C: 1 17/32" D: 3" DIA: 5/16"	A: 13 4/5" B: 5 7/20" C: 5 1/2" D: 6 3/5" DIA: N/A

Part No. 1099119	Part No. 1099120	Part No. 1099121	Part No. 1099129
			
Speed: 3 Voltage: 12 Rotation: N/A Mount: N/A Vent: V	Speed: 2 Voltage: 12 Rotation: CCW Mount: N/A Vent: N/A	Speed: 2 Voltage: 12 Rotation: N/A Mount: N/A Vent: N/A	Speed: N/A Voltage: 24 Rotation: N/A Mount: N/A Vent: N/A
A: 12 53/64" B: 4 1/2" C: 4 31/64" D: 5 5/64" DIA: N/A	A: 4 11/16" B: N/A C: 5 1/16" D: 5 3/4" DIA: N/A	A: 13 7/8" B: 4" C: 4 15/64" D: 5" DIA: N/A	A: 13 4/5" B: 5 7/20" C: 5 1/2" D: 6 3/5" DIA: N/A

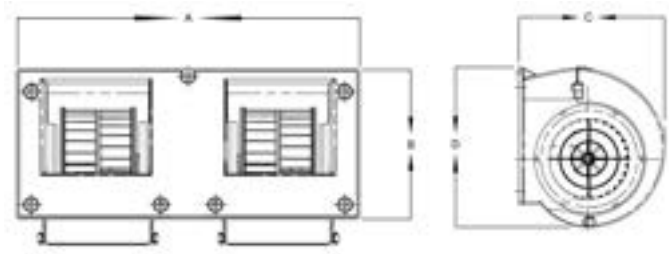


Part No. 1099130		Part No. 1099131		Part No. 1099132		Part No. 1099134	
							
Speed: N/A	A: 6 9/10"	Speed: 1	A: 13 4/5"	Speed: N/A	A: 13 9/10"	Speed: N/A	A: 13 4/5"
Voltage: N/A	B: 4 18/25"	Voltage: 12	B: 6 3/5"	Voltage: 12	B: N/A	Voltage: 24	B: 5 2/5"
Rotation: N/A	C: 6 4/5"	Rotation: N/A	C: 5 1/2"	Rotation: N/A	C: 4 1/5"	Rotation: N/A	C: 5 1/2"
Mount: N/A	D: 7 7/10"	Mount: N/A	D: N/A	Mount: N/A	D: 5"	Mount: N/A	D: 6 3/5"
Vent: N/A	DIA: N/A	Vent: V	DIA: N/A	Vent: N/A	DIA: N/A	Vent: N/A	DIA: N/A

Part No. 1099136		Part No. 1099138		Part No. 1099139		Part No. 1099149	
							
Speed: N/A	A: 14 2/5"	Speed: N/A	A: 13 4/5"	Speed: N/A	A: 10 3/5"	Speed: N/A	A: 7 7/10"
Voltage: 12	B: 6"	Voltage: 24	B: 5 7/20"	Voltage: 12	B: 9 3/10"	Voltage: 12	B: 5 7/20"
Rotation: CCW	C: N/A	Rotation: N/A	C: 5 1/2"	Rotation: N/A	C: 7 3/5"	Rotation: N/A	C: 6 1/2"
Mount: N/A	D: 7 3/5"	Mount: N/A	D: 6 3/5"	Mount: N/A	D: 7 4/5"	Mount: N/A	D: 8 1/10"
Vent: N/A	DIA: N/A	Vent: N/A	DIA: N/A	Vent: N/A	DIA: N/A	Vent: N/A	DIA: N/A

Legend:

- A = Overall Length
- B = Width
- C = Height
- D = Width



Assembly Specifications

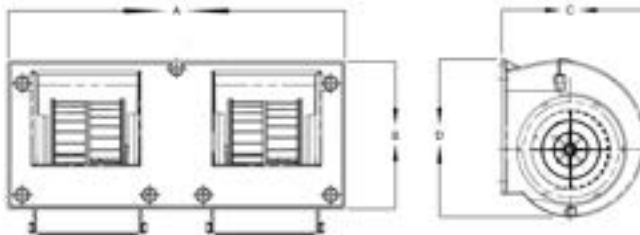
Speed	Voltage	Rotation	Mount	A	B	C	D	Dia.	Vent	Part No.
1	12	CW	Flange	4 1/8"	N/A	1 3/8"	3 1/8"	5/16"	V	1010004
1	12	N/A	Blower Assy	N/A	N/A	N/A	N/A	5/16"	V	1012005
1	12	CCW	Flange	4 13/32"	3 13/16"	1 1/2"	3"	5/16"	V	1012006
1	12	N/A	Blower Assy	13 3/4"	5 3/8"	5 1/8"	N/A	N/A	N/A	1012010
N/A	N/A	N/A	N/A	N/A	N/A	N/A	N/A	N/A	N/A	1012014
1	12	CW	N/A	N/A	N/A	N/A	N/A	N/A	V	1012016
N/A	N/A	N/A	N/A	N/A	N/A	N/A	N/A	N/A	N/A	1012018
1	12	CW	Blower Assy	4 5/8"	4 1/32"	1 25/32"	3"	5/16"	V	1013008
N/A	12	N/A	N/A	12 9/10"	6 2/5"	N/A	N/A	N/A	N/A	1013011
N/A	12	N/A	N/A	6 7/16"	7 13/64"	N/A	3"	N/A	N/A	1013012

Blower Assemblies

Assembly Specifications



Speed	Voltage	Rotation	Mount	A	B	C	D	Dia.	Vent	Part No.
N/A	12	CW	N/A	N/A	6 13/32"	N/A	3"	1/4"	N/A	1013013
1	12	CW	Strap	4 3/8"	4"	1 7/16"	3"	5/16"	V	1015007
N/A	N/A	N/A	N/A	N/A	N/A	N/A	N/A	N/A	N/A	1017007
1	12	CCW	Stud	5"	4 9/32"	1 1/4"	3"	5/16"	V	1018002
N/A	N/A	N/A	Blower Assy	N/A	N/A	N/A	N/A	N/A	N/A	1018005
N/A	N/A	N/A	Blower Assy	N/A	N/A	N/A	N/A	N/A	V	1018006
N/A	N/A	N/A	N/A	N/A	N/A	N/A	N/A	N/A	N/A	1018007
1	12	CCW	Blower Assy	14 4/5"	6 1/10"	6 17/20"	7 3/5"	N/A	V	1075018
N/A	12	N/A	N/A	N/A	N/A	N/A	N/A	N/A	N/A	1075019
1	12	N/A	N/A	13 25/32"	5 21/64"	5 17/32"	6 41/64"	N/A	V	1075020
1	12	N/A	Blower Assy	13 9/10"	4 1/10"	4 2/5"	5"	N/A	N/A	1075023
1	24	N/A	Blower Assy	13 9/10"	4 1/10"	4 2/5"	5"	N/A	N/A	1075024
1	24	N/A	N/A	13 4/5"	5 3/10"	5 1/2"	6 16/25"	N/A	N/A	1075025
N/A	12	N/A	N/A	N/A	N/A	N/A	N/A	N/A	N/A	1075028
N/A	24	N/A	N/A	N/A	N/A	N/A	N/A	N/A	N/A	1075029
N/A	12	N/A	N/A	13 4/5"	5 3/10"	5 1/2"	6 7/10"	N/A	V	1075044
N/A	24	N/A	N/A	13 4/5"	5 3/10"	5 1/2"	6 7/10"	N/A	V	1075046
1	12	N/A	N/A	12 4/5"	4 1/2"	N/A	5 1/10"	N/A	V	1075047
1	24	N/A	N/A	13 4/5"	5 3/10"	5 1/2"	6 7/10"	N/A	V	1075048
1	12	CW	Flange	4 3/4"	4 7/16"	1 1/2"	3"	5/16"	V	1099063
1	12	CCW	Flange	4 3/4"	4 7/16"	1 1/2"	3"	5/16"	V	1099064
3	12	N/A	Blower Assy	13 7/8"	3 63/64"	4 15/64"	5"	N/A	N/A	1099077
1	12	CW	Blower Assy	14 51/64"	6 1/2"	6 27/32"	7 19/32"	N/A	N/A	1099084
2	12	N/A	Blower Assy	13 7/8"	3 63/64"	4 15/64"	5"	N/A	N/A	1099090
1	12	N/A	Blower Assy	13 4/5"	5 8/25"	5 13/25"	6 16/25"	N/A	N/A	1099095
N/A	N/A	N/A	N/A	N/A	N/A	N/A	N/A	N/A	N/A	1099096
1	12	N/A	Blower Assy	13 25/32"	5 21/64"	5 17/32"	6 41/64"	N/A	V	1099097
N/A	N/A	N/A	N/A	N/A	N/A	N/A	N/A	N/A	N/A	1099098
1	12	CW	Blower Assy	14 51/64"	6 1/2"	6 55/64"	7 19/32"	N/A	V	1099101
N/A	N/A	N/A	N/A	27 7/10"	9 1/10"	N/A	N/A	N/A	N/A	1099114
1	12	N/A	Blower Assy	4 3/8"	3 15/32"	1 17/32"	3"	5/16"	V	1099116
N/A	12	N/A	N/A	13 4/5"	5 7/20"	5 1/2"	6 3/5"	N/A	N/A	1099117
3	12	N/A	Blower Assy	12 53/64"	4 1/2"	4 31/64"	5 5/64"	N/A	V	1099119
2	12	CCW	Blower Assy	4 11/16"	N/A	5 1/16"	5 3/4"	N/A	N/A	1099120
2	12	N/A	Blower Assy	13 7/8"	4"	4 15/64"	5"	N/A	N/A	1099121
N/A	24	N/A	N/A	12 4/5"	5 7/20"	5 1/2"	6 3/5"	N/A	N/A	1099129
N/A	N/A	N/A	N/A	6 9/10"	4 18/25"	6 4/5"	7 7/10"	N/A	N/A	1099130
1	12	N/A	N/A	13 4/5"	6 3/5"	5 1/2"	N/A	N/A	V	1099131
N/A	12	N/A	N/A	13 9/10"	N/A	4 1/5"	5"	N/A	N/A	1099132
N/A	24	N/A	N/A	13 4/5"	5 2/5"	5 1/2"	6 3/5"	N/A	N/A	1099134
N/A	12	CCW	N/A	14 2/5"	6"	N/A	7 3/5"	N/A	N/A	1099136
N/A	24	N/A	N/A	13 4/5"	5 7/20"	5 1/2"	6 3/5"	N/A	N/A	1099138
N/A	12	N/A	Blower Assy	10 3/5"	9 3/10"	7 3/5"	7 4/5"	N/A	N/A	1099139
N/A	12	N/A	N/A	7 7/10"	5 7/20"	6 1/2"	8 1/10"	N/A	N/A	1099149



Legend:

- A = Overall Length
- B = Width
- C = Height
- D = Width



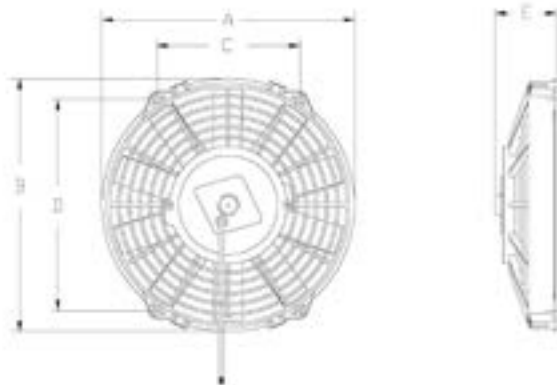
Part No. 1015004	Part No. 1075022	Part No. 1075032	Part No. 1075053
Puller	Pusher		Blower Assembly
Speed: 1	Speed: N/A	Speed: N/A	Speed: N/A
A: 9"	A: 9"	A: N/A	A: 10 11/20"
Voltage: 12	Voltage: 12	Voltage: 24	Voltage: 12
B: 9 11/16"	B: 9 11/16"	B: 9 18/25"	B: 11 1/5"
Rotation: CW	Rotation: CW	Rotation: CCW	Rotation: N/A
C: 5 15/32"	C: 5 15/32"	C: 5 1/2"	C: 5 3/5"
Mount: w/Shrd & Fan	Mount: N/A	Mount: N/A	Mount: N/A
D: 8 7/64"	D: 8 7/64"	D: 8 1/10 "	D: 9 7/10 "
Vent: NV	Vent: N/A	Vent: N/A	Vent: N/A
E: 2 19/64"	E: 2 19/64"	E: 2"	E: 2 1/5"

Part No. 1075054	Part No. 1075058	Part No. 1099082	Part No. 4099181
Blower Assembly	Puller	Puller	
Speed: N/A	Speed: N/A	Speed: N/A	Speed: N/A
A: 10 11/20"	A: 16 3/4"	A: 12 37/64"	A: N/A
Voltage: 24	Voltage: 12	Voltage: 24	Voltage: 12
B: 11 1/5"	B: 16"	B: 13 7/32"	B: 12 4/5"
Rotation: N/A	Rotation: CCW	Rotation: CCW	Rotation: N/A
C: 5 3/5"	C: 8 7/64"	C: 6 41/64"	C: N/A
Mount: N/A	Mount: N/A	Mount: N/A	Mount: N/A
D: 9 7/10 "	D: 16 27/64"	D: 11 1/2"	D: 6 3/5"
Vent: N/A	Vent: N/A	Vent: N/A	Vent: N/A
E: 2 1/5"	E: 3 13/16"	E: 1 13/16"	E: N/A

Part No. 4399002
Universal Condenser Fan Bracket

Legend:

- A = Overall Diameter
- B = Overall Height
- C = Mounting Width
- D = Holes Height
- E = Thickness



Condenser Fan Specifications

Speed	Voltage	Rotation	Mount	A	B	C	D	E	Vent	Part No.
1	12	CW	w/Shrd & Fan	9"	9 11/16"	5 15/32"	8 7/64"	2 19/64"	NV	1015004
N/A	12	CW	Condenser Fan Assy	9"	9 11/16"	5 15/32"	8 7/64"	2 19/64"	N/A	1075022
N/A	24	CCW	N/A	N/A	9 18/25"	5 1/2"	8 1/10"	2"	N/A	1075032
N/A	12	N/A	N/A	10 11/20"	11 1/5"	5 3/5"	9 7/10"	2 1/5"	N/A	1075053
N/A	24	N/A	N/A	10 11/20"	11 1/5"	5 3/5"	9 7/10"	2 1/5"	N/A	1075054
N/A	12	CCW	Condenser Fan Assy	16 3/4"	16"	8 7/64"	16 27/64"	3 13/16"	N/A	1075058
N/A	24	CCW	Condenser Fan Assy	12 37/64"	13 7/32"	6 41/64"	11 1/2"	1 13/16"	N/A	1099082
N/A	12	N/A	N/A	N/A	12 4/5"	N/A	6 3/5"	N/A	N/A	4099181

