

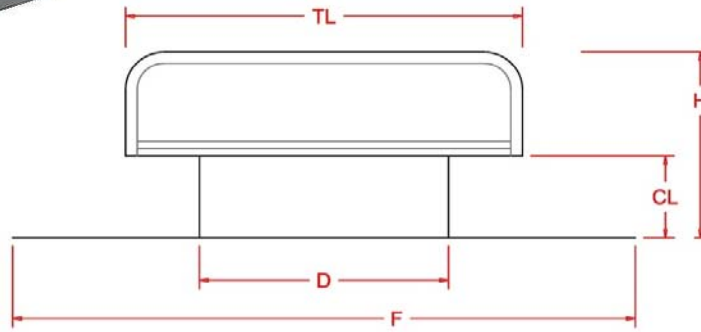
ROOF VENTS, J-VENTS



J-VENTS CLEARANCE - JV__CL



- 28 or 26 Gauge G90 Galvanized steel.
- 1/8 screen installed.
- More clearance for flat and tile roofs.
- For pitched roofs see JV_



ROOF VENTS		-- J-VENT 6" CLEARANCE		3" - 14"			
ITEM #	D	F	CL	H	TW	TL	FREE AREA
JV3CL	3	9X9	6	7 ⁷ / ₈	3	5	7.06
JV4CL	4	9X9	6	8 ¹ / ₄	4	6 ³ / ₈	12.56
JV5CL	5	12X12	6	9 ⁵ / ₁₆	5	8	19.63
JV6CL	6	12X15	6	9 ⁵ / ₈	6	9 ¹ / ₂	28.27
JV7CL	7	12X15	6	9 ⁹ / ₁₆	7	11	38.48
JV8CL	8	15X15	6	10 ¹ / ₁₆	8	12 ⁵ / ₈	50.26
JV9CL	9	15X18	6	10 ⁵ / ₁₆	9	14 ³ / ₁₆	63.61
JV10CL	10	16X20	6	10 ⁹ / ₁₆	10	15 ³ / ₄	78.53
JV12CL	12	20X24	6	10 ¹ / ₂	12	18 ⁷ / ₈	113.09
JV14CL	14	22X24	6	10	17	18 ¹ / ₂	153.98



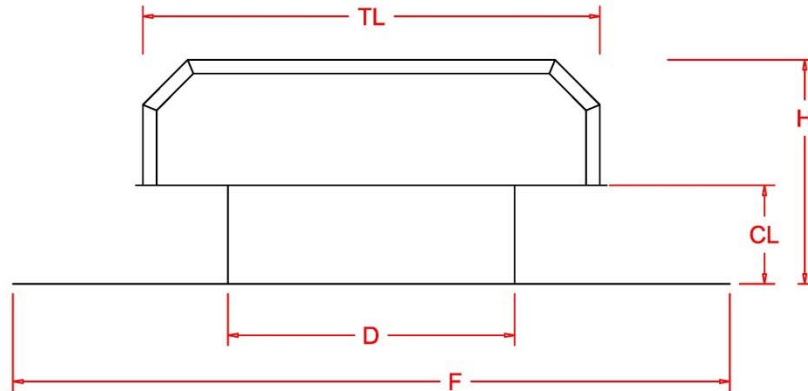
FRESH AIR MANUFACTURING CO.
Technologies in Ventilation

649 N. Ralstin St., Meridian, ID 83642 * (208)884-8931 * (800)-234-1903 * FAX: (208)884-8943

ROOF VENTS, J-VENTS



LARGE SIZES - 16" to 24"



ROOF VENTS -- J-VENT REGULAR 16" - 24"							
ITEM #	D	F	CL	H	TW	TL	FREE AREA
JV16	16	28x28	4	10 ½	19 ½	20 ½	201.06
JV18	18	30x30	4	11 ¼	23	23	254.46
JV20	20	32x32	4	11 ⅞	25 ½	25 ½	314.15
JV22	22	34x34	5	14	27 ¾	27 ¾	380.13
JV24	24	36x36	5 ¾	14 ¾	30	31	452.38

- 24 Gauge G90 galvanized steel.
- 16 Gauge legs.
- 1/8" screen installed.



FRESH AIR MANUFACTURING CO.
Technologies in Ventilation

649 N. Ralstin St., Meridian, ID 83642 * (208)884-8931 * (800)-234-1903 * FAX: (208)884-8943