

## Lyric Pro T6 Series Wi-Fi Thermostat

### PROGRAMMABLE THERMOSTAT

#### SUBMITTAL SHEET

|                       |  |
|-----------------------|--|
| Job Name              |  |
| Engineer              |  |
| Mechanical Contractor |  |
| Contractor's P.O. No. |  |
| Representative        |  |
| Notes                 |  |

|              |      |  |       |  |
|--------------|------|--|-------|--|
| Model(s)     |      |  |       |  |
| TH6320WF2003 | Qty. |  | Notes |  |
| TH6220WF2006 | Qty. |  | Notes |  |
| Approval     |      |  |       |  |
| Service      |      |  |       |  |
| Tag No.      |      |  |       |  |

### APPLICATION

**Model TH6320WF2003:** Up to 3H/2C Heat Pump systems or up to 2H/2C Conventional systems. Dual fuel and aux heat lockout with outdoor sensor or Internet weather. Ventilation control with ERV/HRV or fresh air damper.

**Model TH6220WF2006:** Up to 2H/1C Heat Pump systems or up to 2H/2C Conventional systems. Auxiliary heat lockout with outdoor sensor or Internet weather.

- Geofence capable
- Apple HomeKit compatible
- Selectable ranges stops: max heat and min cool
- DST enabled
- 5 year warranty

### SPECIFICATIONS

#### Electrical Ratings:

| Terminal              | Voltage (50/60Hz) | Running Current |
|-----------------------|-------------------|-----------------|
| W Heating             | 20-30 Vac         | 0.02-1.0 A      |
| W2 (Aux) Heating      | 20-30 Vac         | 0.02-1.0 A      |
| E Emergency Heat      | 20-30 Vac         | 0.02-0.5 A      |
| Y Compressor Stage 1  | 20-30 Vac         | 0.02-1.0 A      |
| Y2 Compressor Stage 2 | 20-30 Vac         | 0.02-1.0 A      |
| G Fan                 | 20-30 Vac         | 0.02-0.5 A      |
| O/B Changeover        | 20-30 Vac         | 0.02-0.5 A      |
| L/A Input             | 20-30 Vac         | 0.02-0.5 A      |
| U/U TH6320WF only     | 20-30 Vac         | 0.02-0.5 A      |

**Cool Indication:** Displays "Cool On" when the thermostat turns the cooling on.

**Heat Indication:** Displays "Heat On" when the thermostat turns the heating on.

**Temperature Sensor Accuracy:**  
± 1.5 °F at 70 °F (0.85 °C at 21.0 °C)

**Clock Accuracy:** Updates automatically when connected to Internet. When not connected to Internet ± 1 minute every month (30 days) at 77°F. ± 2 minutes per month over the operating ambient temperature range.

**Mounting Means:** Thermostat packaged with a UWP mounting system that mounts directly on the wall in the living space using mounting screws and anchors provided. Use the cover plate (also included with thermostat) and its mounting bracket to mount the thermostat onto a vertical 2 x 4 in. junction box.

#### Wi-Fi Communication:

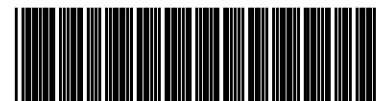
- Provides Remote Access through Smartphone, Tablet or Computer When connected to Wi-Fi and registered to Lyric app.
- 2.4GHz range, 802.11 b/g/n home wireless router

**Power method:** 24 volts to Rc and C required (no batteries).

#### Power Consumption:

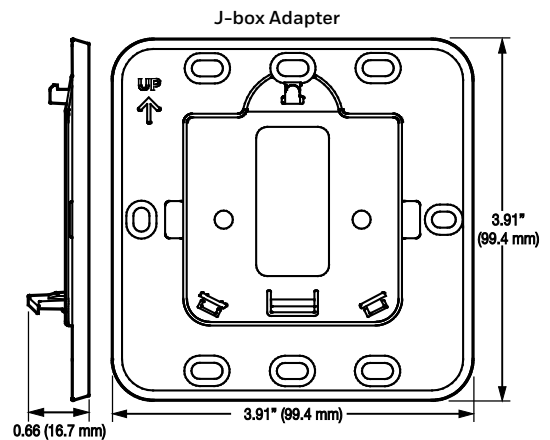
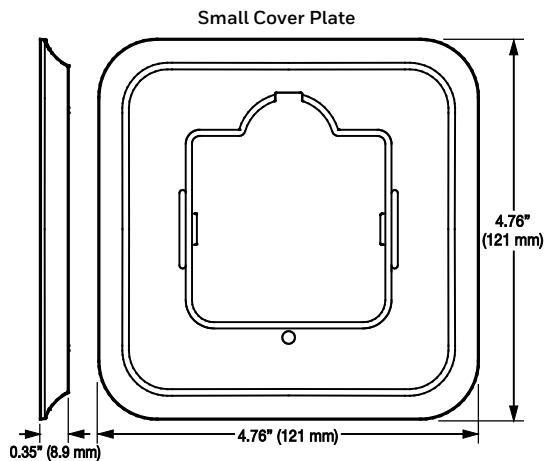
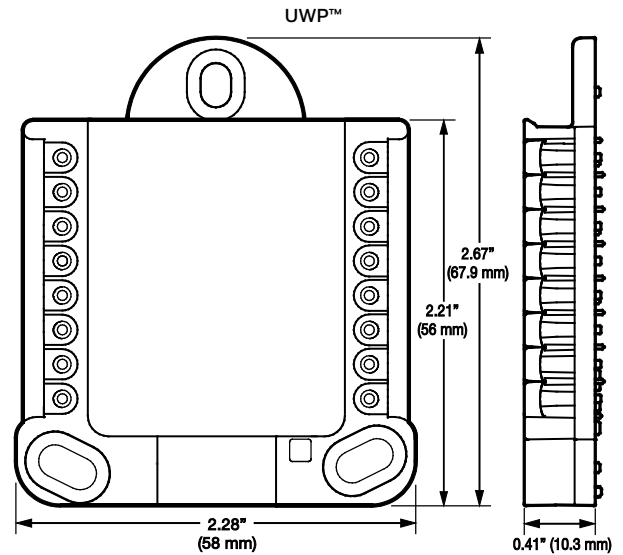
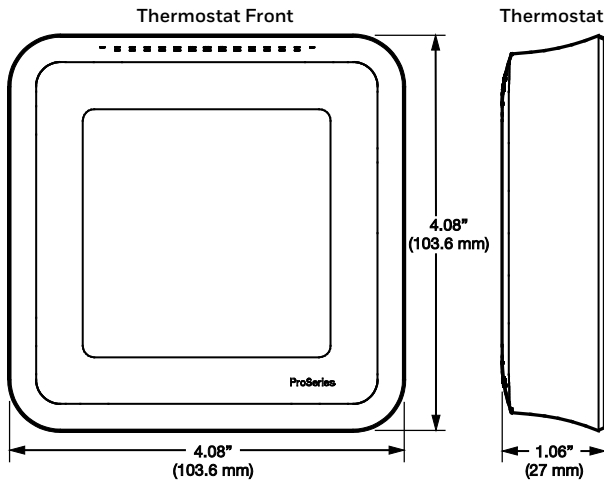
Typical (Backlight On, Wi-Fi On): 1.0VA  
Maximum (Backlight On, Wi-Fi installation): 1.5VA

| Product    | Part Number                  | Temperature Setpoint Range  | Operating Ambient Temperature          | Shipping Temperature                      | Operating Relative Humidity   | Physical Dimensions in Inches (mm)                                     | Color(s) |
|------------|------------------------------|---|--|---|-------------------------------|--|----------|
| Thermostat | TH6320WF2003<br>TH6220WF2006 | Heating:<br>40 °F to 90 °F<br>(4.5 °C to 32 °C)<br><br>Cooling:<br>50 °F to 99 °F<br>(10 °C to 37 °C) | 37 °F to 102 °F<br>(2.8 °C to 38.9 °C) | -20 °F to 120 °F<br>(-28.9 °C to 48.9 °C) | 5% to 90%<br>(non condensing) | 4-1/16" H x 4-1/16" W x 1-5/32" D<br>103.5 mm H x 103.5 mm W x 29 mm D | White    |



## DIMENSIONS (NOT TO SCALE)

| Product                             | Part Number   | Physical Dimensions in Inches (mm)                                 |
|-------------------------------------|---|--|
| UWP Wall plate                      | Included with thermostat.   | 2.67" H X 2.28" W X 0.41" D<br>(67.9 mm H X 58 mm W X 10.3 mm D)   |
| J-Box adaptor plate                 | Included with thermostat.   | 3.91" H X 3.91" W X 0.66" D<br>(99.4 mm H X 99.4 mm W X 16.7 mm D) |
| Small cover plate<br>(THP2400A1050) | Included with thermostat.   | 4.76" H X 4.76" W X 0.35" D<br>(121 mm H X 121 mm W X 8.9 mm D)    |
| Large cover plate<br>(THP2400A1068) | Optional accessory. Not included with thermostat.   | 6.11" H X 6.11" W X 0.28" D<br>(155.3 mm H X 155.3 mm W X 7 mm D)  |
| Wired outdoor sensor<br>C7089U1006  | Not included with thermostat. Outdoor temp not displayed on thermostat. Used for dual fuel, aux heat lockout, or vent lockout on TH6320WF model. Used for aux heat lockout on TH6220WF model. | —  |
| Wired indoor sensor<br>C7189U1005   | Not included with thermostat.   | —  |



### Home and Building Technologies

In the U.S.:  
Honeywell  
1985 Douglas Drive North  
Golden Valley, MN 55422-3992  
customer.honeywell.com

# Honeywell

® U.S. Registered Trademark  
© 2017 Honeywell International Inc.  
33-00260-02 M.S. Rev. 05-17  
Printed in United States