



Hercules
INDUSTRIES

COMMERCIAL FABRICATION DIVISION

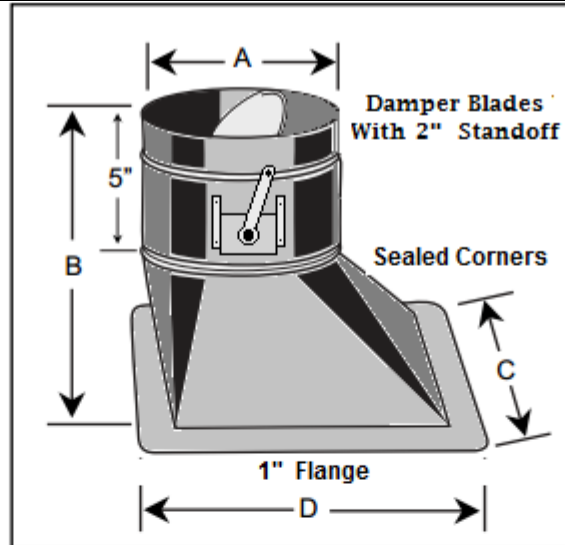
www.herculesIndustries.com

5050 Florence St. Denver Colorado 80238

Tel. 303 388-899 Fax. 303 388-8301

Toll Free. 1 800 870-4305

High Efficiency Take – Offs HTO with 2” Standoff



FEATURES:

- An adhesive coated gasket that holds the fitting securely in position during installation and assures a tight seal
- 1" wide flange allows for easy installation
- 45° angle design allows for optimum air flow. Test data available. Testing performed by ETL Testing labs. Call for reports.
- Two quadrants on all dampers
- Position of Handle indicates damper setting
- 2" Stand height elevated regulator set with hex nut for insulated duct
- Built in accordance with SMACNA standards
- Galvanized steel ASTM A-653

A	B	C	D	Cut Hole size
6"	9 ½"	8 ¼"	12"	6" x 10"
7"	9 ½"	9 ¼"	13"	7" x 11"
8"	9 ½"	10 ¼"	14"	8" x 12"
9"	9 ½"	11 ¼"	15"	9" x 13"
10"	10"	12"	16"	10" x 14"
12"	10"	14"	18"	12" x 16"
14"	11 ½"	16"	20"	14" x 18"
16"	11 ½"	18"	22"	16" x 20"
18"	11 ½"	20"	24"	18" x 22"
20"	11 ½"	22"	26"	20" x 24"

PERFORMANCE DATA IS
AVAILABLE UPON REQUEST

* All gauges and reinforcements are in compliance with 2005 SMACNA standards for duct fabrication.

