

Specification Submittal Data / Panasonic Ventilation Fan

Description

Ventilating fan shall be Low Noise ceiling mount type rated for continuous run. Fan shall be ENERGY STAR® rated and certified by the Home Ventilating Institute (HVI). Evaluated by Underwriters Laboratories and conform to both UL and cUL safety standards.

Motor/Blower:

- Four-pole totally enclosed condenser motor rated for continuous operation.
- Power Rating shall be 120 volts and 60 Hz.
- Fan shall be UL listed for tub/shower enclosure when used with a GFCI branch circuit wiring.
- Motor equipped with thermal-cut-off fuse.
- Removable with permanently lubricated plug-in motor.

Housing:

- Rust proof paint, galvanized steel body.
- 6" diameter duct adaptor.
- Built in backdraft damper.
- Expandable extension bracket up to 26".

Grille:

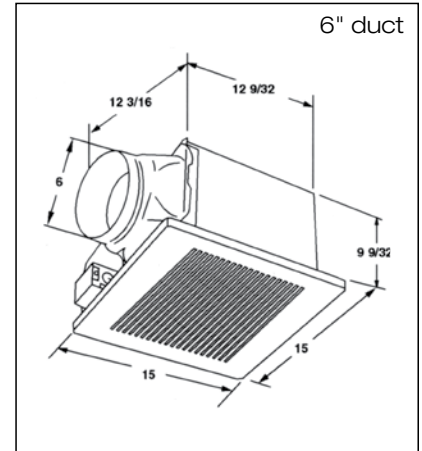
- Attractive design using PP material.
- Attaches directly to housing with torsion springs.

Warranty:

- ALL Parts: For period of 3 years from the date of the original purchase.

Architectural Specifications:

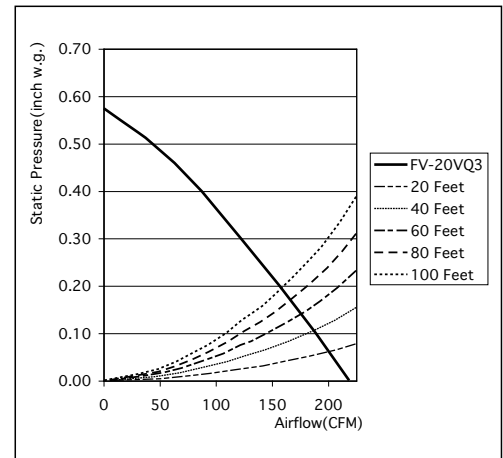
Ventilating fan shall be of the ceiling mount, ENERGY STAR rated type, with no less than 190 CFM and no more than 0.8 sone as certified by the Home Ventilating Institute (HVI) at 0.1 static pressure in inches water gauge(w.g.) and with no less than 144 CFM no more than 1.4 sone as certified by HVI at 0.25 w.g. Power Consumption shall be no greater than 42 watts at 0.1 w.g. and 42 watts at 0.25 w.g. ENERGY STAR rated with efficiency of no less than 4.5 CFM/watt at 0.1 w.g. and 3.4 CFM/watt at 0.25 w.g. The motor shall be totally enclosed, four pole condenser type engineered to operate continuously. Power rating shall be 120v/60Hz. Duct diameter shall be no less than 6". Fan shall be UL and cUL listed for tub/shower enclosure when used with GFCI branch circuit wiring. Fan shall be ASHRAE 62.2, LEED, ENERGY STAR IAP, EarthCraft, California Title-24, and WA Ventilation Code compliant.



FV-20VQ3

Specifications: WhisperCeiling FV-20VQ3	6" Duct	
Static Pressure in inches w.g.	0.1	0.25
Air Volume (CFM)	190	144
Noise (sones)	0.8	1.4
Power Consumption (watts)	42	42
Energy Efficiency (CFM/Watt)	4.5	3.4
Speed (RPM)	696	871
Current (amps)	0.35	0.35
ENERGY STAR rated	YES	
Washington State VIAQ Code	YES	

As of date 4/11



For complete Installation Instructions visit www.panasonic.com/building

Model	Quantity	Comments	Project:
			Location:
			Architect:
			Engineer:
			Contractor:
			Submitted by:
			Date:

Panasonic Home and Environment Company
Division of Panasonic Corporation of North America
One Panasonic Way
Secaucus, NJ 07094

www.panasonic.com/building

