

## FR 100

Item no. 411330

Document type: **Product card**

Document date: **2015-12-17**

Generated by: **Systemair Online Catalogue**

### Technical parameters

Nominal data		
Voltage	115	V
Frequency	60	Hz
Phase	1	~
Input power (P1)	19,5	W
Current	0,17	A
Max. airflow	151	cfm
Fan impeller speed	1833	r.p.m.
Weight	6	lbs.

Temperature data		
Max. temperature of transported air	140	°F

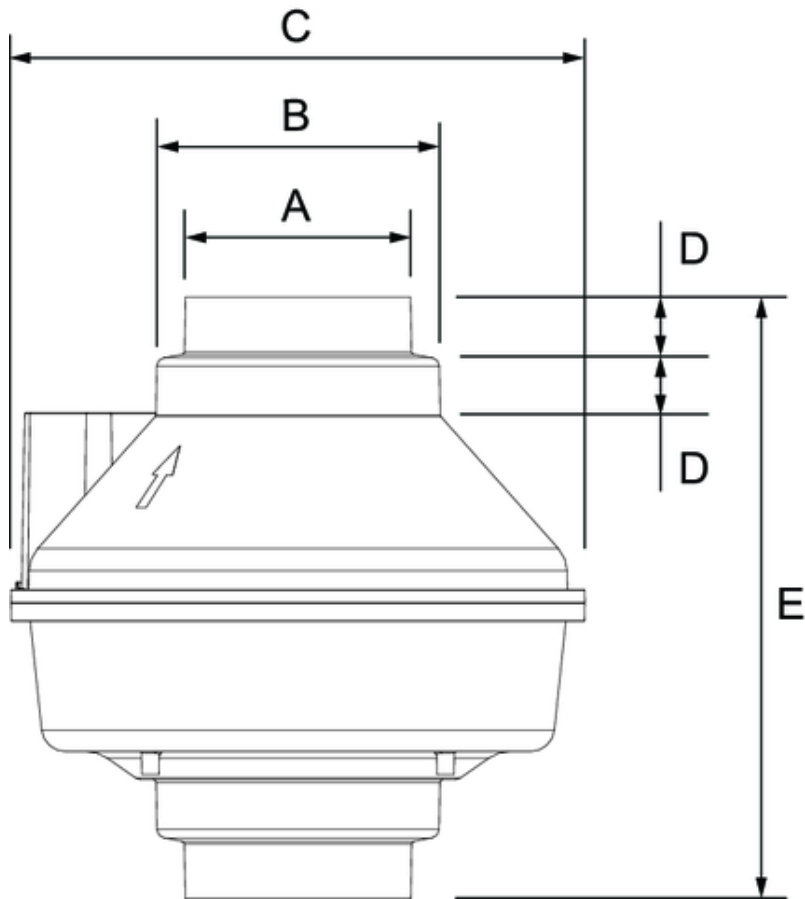
  

Protection / Classification		
Insulation class	B	
Enclosure class, motor	IP44	IP

Others		
Certificate	HVI, cULus, ENERGY STAR®	

### Dimensions

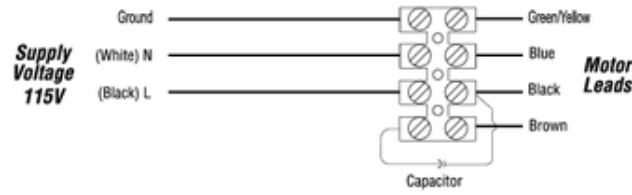


Model	A	B	C	D	E
FR	3	4	10		10
100	31/32 (110.5)	31/32 (126.5)	10 (256)	1 (25)	9/16 (268)
FR	3	4	10		10
110	31/32 (110.5)	31/32 (126.5)	10 (256)	1 (25)	9/16 (268)

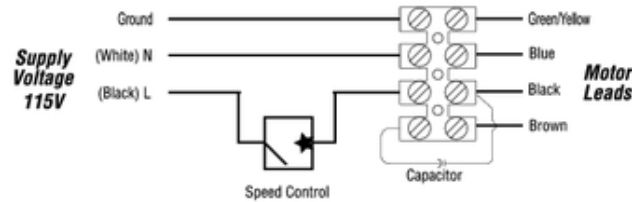
Dimensions  
are in  
inches  
(mm)

## Wiring

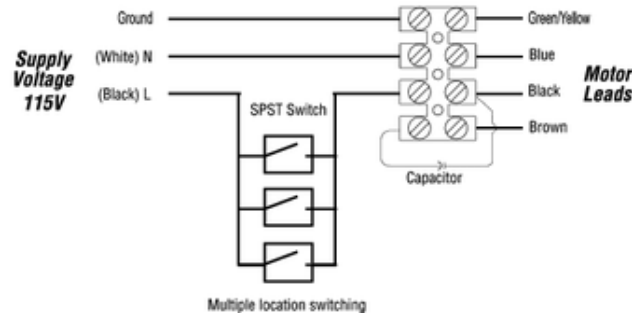
### Without Speed Control



### Speed Control



### Multiple Location Switching



## Accessories

### Electric accessories

- SCD5 (411381)
- FPS10 (411390)
- WC15 (411102)
- VT20A (45385)
- VT20M (45386)

### Accessories

- LD4,Silencer,4"Dia Duct (411282)
- FC 4,Clamp,2Pcs Kit (411295)
- IR4,Iris Damper 4" (411234)
- RSK4,Damper (411112)

## Specification text

### Description

A centrifugal type exhaust/supply fan specifically designed for moderate size ventilation applications. The fan can be mounted in any angle at any point along the duct work and straight-through air flow design allows easy installation. By using FC type mounting clamps fan can easily be removed from duct work for service. Fans are constructed in accordance with standard dimensions for spiral duct eliminating the need for transition pieces. Fan motors are capable of operating in air stream temperatures up to 140 oF. Motor bearings are permanently sealed, self lubricating ball type. All fans are 100% speed controllable through a decrease in the voltage by using a solid state or transformer type control. All FR Series fans are backed by Fantech's Five Year Warranty.

### Guide Specifications for Model FR Inline Duct Fans

Supply, exhaust or return air inline fans shall be of the centrifugal, direct driven type.

### Housing

- Fan housing shall be constructed of UV resistant ABS-PC blend thermo plastic.
- Fan shall be supplied with an integral external electrical terminal box with pre-wired terminal strip connections.
- Capacitor shall be provided and shall be located within the fan electrical terminal box for easy access.

### Motor

- Motorized impeller shall be an external rotor type, class B insulation, totally enclosed PSC Type for maximum efficiency.
- Motor shall be a permanently sealed self lubricating ball bearing type.
- Motor shall be equipped with automatic reset thermal overload protection.
- Motor shall be acceptable for continuous duty.
- Sufficient service factor shall be provided to ensure long maintenance free operation over maximum load conditions.

### Wheel

- Fan wheel shall be of the backward inclined centrifugal type with a well designed inlet venturi for maximum performance.
- Motorized impeller shall be both statically and dynamically balanced as one integral unit to provide for vibration free performance.

**Performance**

- Fan air flow performance shall be certified by HVI and licensed to bear the HVI Tested/Certified Performance Logo.

**Code Approval**

- Fan shall be tested and approved by UL and CSA (or equal) for safety.

FR Series shall be manufactured under the authority of Fantech, Inc., Lenexa, KS.