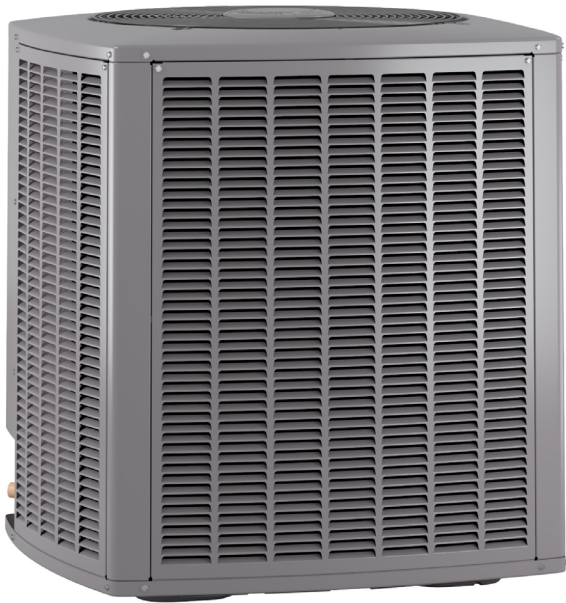


4SHP18LX

PRODUCT SPECIFICATIONS

HIGH-EFFICIENCY
SPLIT HEAT PUMP SYSTEM
UP TO 19 SEER2 & 8.5 HSPF2

FORM NO. 4SHP18LX-100 (01/2023)



COMFORT SYNC
COMMUNICATING THERMOSTAT ENABLED

COMPRESSOR

- Inverter-driven compressor for true variable capacity operation, precision environmental control, and exceptional energy savings
- R410A refrigerant
- Grommet-mounted compressor for quiet operation
- Heavy-duty compressor sound blanket for quiet operation
- Internally protected against high temperature motor overload conditions

CABINET

- Full metal louvered construction to protect the coil
- Individual metal louvered panels remove easily for coil cleaning and service
- Specialized corner-mounted controls for easy service
- Baked polyester paint finished over galvanized steel for maximum durability
- Removable PVC coated wire fan discharge grill
- External gauge ports for easy service
- Removable service panel for internal access
- Compliant with Florida Building Code 2020

COILS

- Omniguard® coil corrosion protection with all-aluminum tube-and-fin coil design
- Lanced fins for maximum heat transfer
- Factory tested for leakproof construction
- Raised coil prevents debris from impeding airflow and helps prevent ice build-up

DESIGN

- Designed for installation as a fully communicating system or with a standard 24V thermostat and non-communicating equipment
- Offers five total operating modes, three in cooling and two for heating, to fine-tune the unit's performance to the application and consumer's needs in 24V applications
- Clean-sweep defrost provides a more thorough defrost, reducing the number of cycles during heating operation
- Designed to perform in temperatures from -15°F to 125°F

COMPONENTS

- 45-degree offset gauge ports are positioned for quick installation and easy service
- Variable speed condenser fan motor
- Swept wing fan blade for quiet operation
- Factory-installed crankcase heater
- Factory-installed TXV for excellent refrigeration control
- Factory-installed high and low pressure switches
- Thread-on pressure switches for simple, quick service
- Fan orifice for smoother airflow and sound level reduction
- Comfort Sync® enabled for communicating systems
- Shipped factory charged for 15 feet of line set
- Discharge muffler for quiet operation
- Demand defrost for increased energy efficiency
- Quiet Shift™ capable to reduce noise during defrost

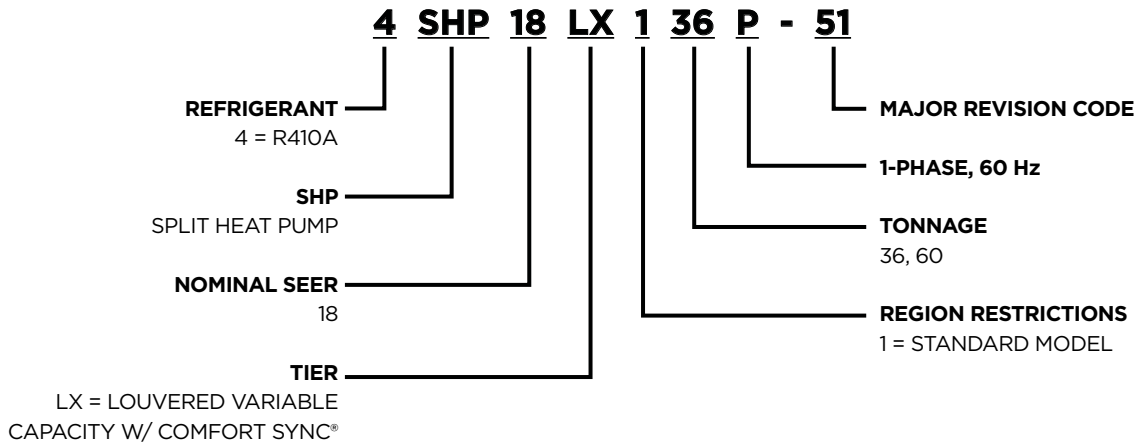
WARRANTY

- 5-year limited warranty
- 10-year limited extended warranty available on all parts and compressor

**Warranty provides for a total of 10 years of limited warranty coverage (Standard 5-year limited parts warranty plus an additional 5-year limited extended parts warranty). Warranty must be registered online within 60 days of installation to qualify for 10-year coverage. Unregistered equipment defaults to 5-year coverage. Lifetime limited heat exchanger warranty applies to registered equipment only (Standard 20 years with no online registration). See full warranty at www.alliedair.com for terms, conditions and exclusions.*



MODEL NUMBER GUIDE



ELECTRICAL AND PHYSICAL DATA

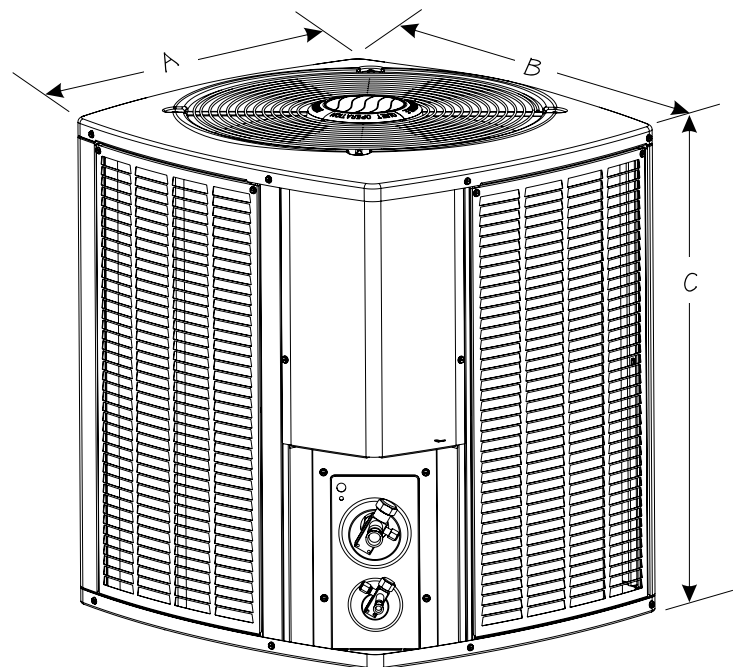
Model	Voltage/Hz/Phase	Voltage Range	Min. Circuit Amp.	Max. Over Current Device (amps)	Compressor	Outdoor Fan Motor		
					Input (amps)	Full Load (amps)	Rated HP	Nom. RPM
4SHP18LX136P-51	208-230/60/1	197-253	20.9	35	14.4	2.8	1/3	VAR. SPD
4SHP18LX160P-51	208-230/60/1	197-253	34.7	50	25.6	2.8	1/3	VAR. SPD

Note:
Weights listed are unit weights with packaging
+ Factory charged for 15 feet of line set; adjust per installation instructions

DIMENSIONS (IN.)

Model No.	Dimensions (inch)			Shipping Weight (lbs.)
	A - Width	B - Depth	C - Height	
4SHP18LX136P-51	29.38	31.25	33.75	215
4SHP18LX160P-51	29.38	31.25	43.75	272

Note:
Dimensions listed are unit sizes w/o packaging



SOUND RATINGS

Model	Sound Power ¹ (Low)	Estimated Sound Pressure (dBA) ²			Sound Power ¹ (High)	Estimated Sound Pressure (dBA) ²		
		Approximate Distance ³				Approximate Distance ³		
		One Meter (3.3 feet)	Two Meters (6.6 feet)	Three Meters (9.8 feet)		One Meter (3.3 feet)	Two Meters (6.6 feet)	Three Meters (9.8 feet)
4SHP18LX136P-51 (2 TON MODE)	61	53	47	43	70	62	56	52
4SHP18LX136P-51 (3 TON MODE)	61	53	47	43	74	66	60	56
4SHP18LX160P-51 (4 TON MODE)	64	56	50	46	74	66	60	56
4SHP18LX160P-51 (5 TON MODE)	64	56	50	46	79	71	65	61

1 Rated in accordance with AHRI standard 270 (2015)
 2 Rated in accordance with AHRI standard 275 (2010)
 3 Based only on distance factor; other factors may change this value such as:
 Unit location (reflective surfaces adjacent to the unit)
 Barrier shielding sources
 Sound path/elevation
 Outside noise sources

REFRIGERATION DATA

Model	Factory Refrig. Charge (oz.) *	TXV	Refrigerant Line Size		Outdoor Unit Connection		Indoor Unit Connection	
			Suction	Liquid	Suction	Liquid	Suction	Liquid
4SHP18LX136P-51 (2 TON MODE)	138	H4TXV01	3/4	3/8	3/4	3/8	3/4	3/8
4SHP18LX136P-51 (3 TON MODE)	138	H4TXV02	3/4	3/8	3/4	3/8	3/4	3/8
4SHP18LX160P-51 (4 TON MODE)	186	H4TXV02	7/8	3/8	7/8	3/8	7/8	3/8
4SHP18LX160P-51 (5 TON MODE)	186	H4TXV03	1-1/8	3/8	7/8	3/8	7/8	3/8

* Factory charged for 15 feet of line set; adjust per installation instructions
 Refrigerant charge also varies with indoor unit; refer to refrigerant charge label

COOLING PERFORMANCE WITH DTC¹

Outdoor Model	Indoor Model	Cooling				Heating				High CFM	Med CFM	Low CFM	
		SEER ²	EER ²	AHRI Rated Capacity ²	Sensible Capacity	HSPF ²	47°		17°				
							Btuh	COP	Btuh				COP
4SHP18LX136P-51	BCE7S36M	19.0	11.7	33,600	27,200	8.5	35,000	3.34	22,600	2.46	1,300	775	460
4SHP18LX160P-51	BCE7S60M	17.1	10.9	57,000	42,200	8.5	57,500	3.18	38,000	2.31	1,800	1,125	900

Note:
 1 DTC = Designated tested combination
 2 Certified in accordance with Unitary Air Conditioner Certification Program, which is based on AHRI Standard 210/240
 3 A blower time delay relay is standard on all Allied Air Enterprises furnace and air handler products

NOTE:

For the latest AHRI system matches, please visit www.alliedratings.com or www.AHRIdirectory.org

COOLING PERFORMANCE EXTENDED RATINGS

4SHP18LX136P (2 TON MODE) - BCE7S24 - TXV (MAXIMUM CAPACITY)

Entering Wet Bulb Temperature		Outdoor Air Temperature Entering Outdoor Coil																									
		85° F (29.4° C)				95° F (35° C)				105° F (40.6° C)				115° F (46.1° C)				125° F (51.7° C)									
		Total Cooling Capacity		Sensible To Total Ratio (S/T)		Comp. Motor Watts Input		Sensible To Total Ratio (S/T)		Comp. Motor Watts Input		Total Cooling Capacity		Sensible To Total Ratio (S/T)		Comp. Motor Watts Input		Total Cooling Capacity		Sensible To Total Ratio (S/T)		Comp. Motor Watts Input					
cfm	L/s	kBtu/h	kW	75°F 23.9°C	80°F 26.7°C	85°F 29.4°C	75°F 23.9°C	80°F 26.7°C	85°F 29.4°C	75°F 23.9°C	80°F 26.7°C	85°F 29.4°C	75°F 23.9°C	80°F 26.7°C	85°F 29.4°C	75°F 23.9°C	80°F 26.7°C	85°F 29.4°C	75°F 23.9°C	80°F 26.7°C	85°F 29.4°C						
59°F (15°C)	700	330	23.4	6.9	1310	.95	1.00	1.00	.98	1.00	22.4	6.6	1490	.98	1.00	1.00	21.4	6.3	1690	1.00	1.00	19.6	5.7	2150	1.00	1.00	1.00
	800	380	24.4	7.2	1310	1.00	1.00	1.00	1.00	1.00	23.4	6.9	1500	1.00	1.00	1.00	22.4	6.6	1690	1.00	1.00	20.6	6.0	2170	1.00	1.00	1.00
	900	425	25.4	7.4	1310	1.00	1.00	1.00	1.00	1.00	24.2	7.1	1500	1.00	1.00	1.00	23.4	6.9	1700	1.00	1.00	21.4	6.3	2180	1.00	1.00	1.00
63°F (17.2°C)	700	330	24.2	7.1	1310	.76	.92	1.00	.78	.93	23.2	6.8	1490	.78	.93	1.00	21.8	6.4	1690	.80	.97	19.6	5.7	2150	.85	1.00	1.00
	800	380	25.0	7.3	1310	.80	.96	1.00	.82	.99	23.6	6.9	1500	.82	.99	1.00	22.6	6.6	1690	.84	1.00	20.6	6.0	2170	.89	1.00	1.00
	900	425	25.6	7.5	1310	.83	1.00	1.00	.85	1.00	24.4	7.2	1500	.85	1.00	1.00	23.4	6.9	1700	.88	1.00	21.4	6.3	2180	.94	1.00	1.00
67°F (19.4°C)	700	330	25.8	7.6	1310	.61	.74	.87	.62	.76	24.6	7.2	1500	.62	.76	.89	23.4	6.9	1700	.63	.77	21.2	6.2	2180	.65	.82	.99
	800	380	26.4	7.7	1310	.63	.77	.92	.64	.79	25.2	7.4	1500	.64	.79	.95	24.2	7.1	1700	.65	.81	21.6	6.3	2180	.68	.86	1.00
	900	425	27.2	8.0	1300	.65	.81	.96	.66	.83	26.0	7.6	1500	.66	.83	.99	24.8	7.3	1710	.67	.85	22.2	6.5	2190	.71	.91	1.00
71°F (21.7°C)	700	330	27.2	8.0	1300	.47	.59	.72	.47	.60	26.0	7.6	1500	.47	.60	.73	25.0	7.3	1710	.48	.61	22.6	6.6	2200	.49	.64	.79
	800	380	28.0	8.2	1300	.48	.61	.75	.48	.62	27.0	7.9	1500	.48	.62	.77	25.6	7.5	1710	.49	.64	23.4	6.9	2210	.50	.67	.83
	900	425	28.8	8.4	1300	.49	.64	.78	.49	.65	27.4	8.0	1500	.49	.65	.80	26.2	7.7	1710	.50	.67	23.8	7.0	2210	.51	.70	.88

4SHP18LX136P (2 TON MODE) - BCE7S24 - TXV (INTERMEDIATE CAPACITY)

Entering Wet Bulb Temperature		Outdoor Air Temperature Entering Outdoor Coil																									
		85° F (29.4° C)				95° F (35° C)				105° F (40.6° C)				115° F (46.1° C)				125° F (51.7° C)									
		Total Cooling Capacity		Sensible To Total Ratio (S/T)		Comp. Motor Watts Input		Sensible To Total Ratio (S/T)		Comp. Motor Watts Input		Total Cooling Capacity		Sensible To Total Ratio (S/T)		Comp. Motor Watts Input		Total Cooling Capacity		Sensible To Total Ratio (S/T)		Comp. Motor Watts Input					
cfm	L/s	kBtu/h	kW	75°F 23.9°C	80°F 26.7°C	85°F 29.4°C	75°F 23.9°C	80°F 26.7°C	85°F 29.4°C	75°F 23.9°C	80°F 26.7°C	85°F 29.4°C	75°F 23.9°C	80°F 26.7°C	85°F 29.4°C	75°F 23.9°C	80°F 26.7°C	85°F 29.4°C	75°F 23.9°C	80°F 26.7°C	85°F 29.4°C						
59°F (15°C)	400	190	14.7	4.3	620	.89	1.00	1.00	.92	1.00	14.2	4.2	740	.92	1.00	1.00	13.6	4.0	850	.94	1.00	12.3	3.6	1120	1.00	1.00	
	500	235	16.0	4.7	630	.97	1.00	1.00	.99	1.00	15.3	4.5	750	.99	1.00	1.00	14.7	4.3	860	1.00	1.00	13.3	3.9	1140	1.00	1.00	
	660	310	17.4	5.1	640	1.00	1.00	1.00	1.00	1.00	16.7	4.9	760	1.00	1.00	1.00	15.9	4.7	880	1.00	1.00	14.4	4.2	1150	1.00	1.00	
63°F (17.2°C)	400	190	15.6	4.6	630	.73	.85	.99	.74	.88	14.8	4.3	750	.74	.88	1.00	14.1	4.1	860	.76	.90	12.5	3.7	1120	.80	.97	1.00
	500	235	16.4	4.8	630	.78	.93	1.00	.80	.96	15.6	4.6	750	.80	.96	1.00	14.8	4.3	860	.82	.99	13.3	3.9	1140	.87	1.00	1.00
	660	310	17.4	5.1	640	.85	1.00	1.00	.88	1.00	16.8	4.9	760	.88	1.00	1.00	15.9	4.7	880	.92	1.00	14.4	4.2	1150	.99	1.00	1.00
67°F (19.4°C)	400	190	16.5	4.8	630	.59	.70	.82	.59	.72	15.7	4.6	750	.59	.72	.84	15.0	4.4	870	.60	.73	13.4	3.9	1140	.63	.77	.93
	500	235	17.4	5.1	640	.62	.75	.89	.63	.77	16.5	4.8	760	.63	.77	.92	15.7	4.6	870	.64	.80	14.0	4.1	1150	.67	.85	1.00
	660	310	18.3	5.4	640	.66	.83	1.00	.68	.86	17.4	5.1	770	.68	.86	1.00	16.5	4.8	880	.69	.89	14.7	4.3	1160	.75	.97	1.00
71°F (21.7°C)	400	190	17.3	5.1	640	.46	.57	.68	.46	.58	16.6	4.9	760	.46	.58	.69	15.8	4.6	870	.46	.59	14.2	4.2	1150	.47	.61	.75
	500	235	18.2	5.3	640	.46	.61	.73	.46	.61	17.3	5.1	770	.48	.61	.75	16.5	4.8	880	.48	.63	14.9	4.4	1160	.49	.66	.83
	660	310	19.0	5.6	650	.51	.64	.80	.51	.67	18.2	5.3	770	.51	.67	.84	17.4	5.1	890	.52	.69	15.6	4.6	1170	.53	.74	.94

COOLING PERFORMANCE EXTENDED RATINGS

4SHP18LX136P (2 TON MODE) - BCE7S24 - TXV (MINIMUM CAPACITY)

Entering Wet Bulb Temperature	Outdoor Air Temperature Entering Outdoor Coil																						
	75° F (23.9° C)				85° F (29.4° C)				95° F (35° C)				105° F (40.6° C)										
	Total Cooling Capacity		Sensible To Total Ratio (S/T)		Total Cooling Capacity		Sensible To Total Ratio (S/T)		Total Cooling Capacity		Sensible To Total Ratio (S/T)		Total Cooling Capacity		Sensible To Total Ratio (S/T)		Total Cooling Capacity		Sensible To Total Ratio (S/T)				
																					Comp. Motor Watts Input		Indoor Dry Bulb
cfm	L/s	kBtuh	kW	75°F / 23.9°C	80°F / 26.7°C	85°F / 29.4°C	75°F / 23.9°C	80°F / 26.7°C	85°F / 29.4°C	75°F / 23.9°C	80°F / 26.7°C	85°F / 29.4°C	75°F / 23.9°C	80°F / 26.7°C	85°F / 29.4°C	75°F / 23.9°C	80°F / 26.7°C	85°F / 29.4°C					
250	120	9.6	2.8	340	.88	1.00	9.2	2.7	420	.90	1.00	8.8	2.6	510	.93	1.00	8.5	2.5	600	.95	1.00	1.00	1.00
375	175	11.1	3.3	350	1.00	1.00	10.7	3.1	440	1.00	1.00	10.2	3.0	520	1.00	1.00	9.8	2.9	610	1.00	1.00	1.00	1.00
450	210	11.8	3.5	350	1.00	1.00	11.3	3.3	440	1.00	1.00	10.8	3.2	530	1.00	1.00	10.4	3.0	620	1.00	1.00	1.00	1.00
250	120	10.1	3.0	340	.72	.84	9.7	2.8	430	.73	.86	9.2	2.7	510	.75	.89	8.8	2.6	600	.76	.91	1.00	1.00
375	175	11.2	3.3	350	.82	.99	10.7	3.1	440	.84	1.00	10.2	3.0	520	.86	1.00	9.8	2.9	610	.89	1.00	1.00	1.00
450	210	11.8	3.5	350	.87	1.00	11.3	3.3	440	.91	1.00	10.8	3.2	530	.93	1.00	10.4	3.0	620	.97	1.00	1.00	1.00
250	120	10.8	3.2	340	.58	.69	10.3	3.0	430	.59	.71	9.8	2.9	520	.59	.72	9.4	2.8	610	.60	.74	.87	.87
375	175	11.9	3.5	350	.64	.79	11.3	3.3	440	.65	.81	10.8	3.2	530	.67	.84	10.3	3.0	620	.68	.86	1.00	1.00
450	210	12.3	3.6	350	.68	.85	11.7	3.4	450	.70	.88	11.2	3.3	530	.71	.91	10.6	3.1	620	.73	.94	1.00	1.00
250	120	11.4	3.3	350	.45	.56	10.9	3.2	440	.45	.57	10.4	3.0	520	.46	.58	10.0	2.9	620	.46	.59	.71	.71
375	175	12.5	3.7	350	.48	.63	12.0	3.5	450	.49	.64	11.5	3.4	530	.49	.65	10.9	3.2	630	.50	.67	.84	.84
450	210	13.0	3.8	360	.51	.66	12.4	3.6	450	.52	.69	11.8	3.5	540	.52	.70	11.3	3.3	630	.52	.72	.91	.91

COOLING PERFORMANCE EXTENDED RATINGS

4SHP18LX136P (3 TON MODE) - BCE7S36 - TXV (MAXIMUM CAPACITY)

Table with columns for Outdoor Air Temperature Entering Outdoor Coil, Total Air Volume, and performance metrics (Sensible To Total Ratio, Total Cooling Capacity, Comp. Motor Watts Input) for three temperature ranges: 85°F (29.4°C), 95°F (35°C), 105°F (40.6°C), 115°F (46.1°C), and 125°F (51.7°C).

4SHP18LX136P (3 TON MODE) - BCE7S36 - TXV (INTERMEDIATE CAPACITY)

Table with columns for Outdoor Air Temperature Entering Outdoor Coil, Total Air Volume, and performance metrics (Sensible To Total Ratio, Total Cooling Capacity, Comp. Motor Watts Input) for three temperature ranges: 85°F (29.4°C), 95°F (35°C), 105°F (40.6°C), 115°F (46.1°C), and 125°F (51.7°C).

COOLING PERFORMANCE EXTENDED RATINGS

4SHP18LX136P (3 TON MODE) - BCE7S36 - TXV (MINIMUM CAPACITY)

Entering Wet Bulb Temperature		Outdoor Air Temperature Entering Outdoor Coil																									
		75° F (23.9° C)					85° F (29.4° C)					95° F (35° C)					105° F (40.6° C)										
		Total Cooling Capacity		Comp. Motor Watts Input	Sensible To Total Ratio (S/T)		Indoor Dry Bulb	Total Cooling Capacity		Comp. Motor Watts Input	Sensible To Total Ratio (S/T)		Indoor Dry Bulb	Total Cooling Capacity		Comp. Motor Watts Input	Sensible To Total Ratio (S/T)		Indoor Dry Bulb	Total Cooling Capacity		Comp. Motor Watts Input	Sensible To Total Ratio (S/T)		Indoor Dry Bulb		
cfm	L/s	kBtuh	kW		75°F 23.9°C	80°F 26.7°C		85°F 29.4°C	kBtuh		kW	75°F 23.9°C		80°F 26.7°C	85°F 29.4°C		kBtuh	kW		75°F 23.9°C	80°F 26.7°C		85°F 29.4°C	kBtuh		kW	75°F 23.9°C
		300	140	10.5	3.1	350	.94	1.00	1.00	1.00	.97	1.00	1.00	1.00	1.00	1.00	.99	1.00	1.00	1.00	1.00	1.00	1.00	1.00	1.00	1.00	1.00
460	215	12.1	3.5	360	1.00	1.00	1.00	1.00	1.00	1.00	1.00	1.00	1.00	1.00	1.00	1.00	1.00	1.00	1.00	1.00	1.00	1.00	1.00	1.00	1.00	1.00	1.00
600	285	13.0	3.8	360	1.00	1.00	1.00	1.00	1.00	1.00	1.00	1.00	1.00	1.00	1.00	1.00	1.00	1.00	1.00	1.00	1.00	1.00	1.00	1.00	1.00	1.00	1.00
300	140	10.9	3.2	350	.77	.91	1.00	1.00	.78	.93	1.00	1.00	1.00	1.00	.93	1.00	1.00	1.00	1.00	1.00	1.00	1.00	1.00	1.00	1.00	1.00	1.00
460	215	12.1	3.5	360	.89	1.00	1.00	1.00	.92	1.00	1.00	1.00	1.00	1.00	.92	1.00	1.00	1.00	1.00	1.00	1.00	1.00	1.00	1.00	1.00	1.00	1.00
600	285	13.0	3.8	360	1.00	1.00	1.00	1.00	1.00	1.00	1.00	1.00	1.00	1.00	1.00	1.00	1.00	1.00	1.00	1.00	1.00	1.00	1.00	1.00	1.00	1.00	1.00
300	140	11.6	3.4	350	.61	.74	.87	1.00	.62	.76	.89	1.00	1.00	1.00	.62	.76	.89	1.00	1.00	1.00	1.00	1.00	1.00	1.00	1.00	1.00	1.00
460	215	12.6	3.7	360	.69	.87	1.00	1.00	.71	.90	1.00	1.00	1.00	1.00	.71	.90	1.00	1.00	1.00	1.00	1.00	1.00	1.00	1.00	1.00	1.00	1.00
600	285	13.2	3.9	360	.76	.98	1.00	1.00	.78	1.00	1.00	1.00	1.00	1.00	.78	1.00	1.00	1.00	1.00	1.00	1.00	1.00	1.00	1.00	1.00	1.00	1.00
300	140	12.2	3.6	360	.47	.59	.72	1.00	.47	.60	.73	1.00	1.00	1.00	.47	.60	.73	1.00	1.00	1.00	1.00	1.00	1.00	1.00	1.00	1.00	1.00
460	215	13.4	3.9	360	.50	.68	.85	1.00	.51	.70	.87	1.00	1.00	1.00	.51	.70	.87	1.00	1.00	1.00	1.00	1.00	1.00	1.00	1.00	1.00	1.00
600	285	13.9	4.1	370	.55	.75	.96	1.00	.56	.79	.99	1.00	1.00	1.00	.56	.79	.99	1.00	1.00	1.00	1.00	1.00	1.00	1.00	1.00	1.00	1.00

COOLING PERFORMANCE EXTENDED RATINGS

4SHP18LX160P (4 TON MODE) - BCE7S48 - TXV (MAXIMUM CAPACITY)

Entering Wet Bulb Temperature		Outdoor Air Temperature Entering Outdoor Coil																															
		85° F (29.4° C)			95° F (35° C)			105° F (40.6° C)			115° F (46.1° C)			125° F (51.7° C)																			
		Total Cooling Capacity		Sensible To Total Ratio (S/T)	Total Cooling Capacity		Sensible To Total Ratio (S/T)	Total Cooling Capacity		Sensible To Total Ratio (S/T)	Total Cooling Capacity		Sensible To Total Ratio (S/T)	Total Cooling Capacity		Sensible To Total Ratio (S/T)																	
		cfm	L/s		kBtu/h	kW		Comp. Motor Watts Input	Indoor Dry Bulb		85°F 29.4°C	75°F 23.9°C		80°F 26.7°C	85°F 29.4°C		kBtu/h	kW	Comp. Motor Watts Input	Indoor Dry Bulb	80°F 26.7°C	85°F 29.4°C											
59°F (15°C)	1400	660	44.5	13.0	2790	.95	1.00	1.00	42.5	12.5	3190	.98	1.00	1.00	41.0	12.0	3690	1.00	1.00	39.0	11.4	4310	1.00	1.00	1.00	37.2	10.9	5090	1.00	1.00	1.00	35.0	10.2
	1650	780	470	13.8	2790	1.00	1.00	1.00	45.0	13.2	3200	1.00	1.00	1.00	42.5	12.5	3690	1.00	1.00	41.0	12.0	4320	1.00	1.00	1.00	39.0	11.4	5110	1.00	1.00	1.00	37.0	10.9
	1800	850	480	14.1	2790	1.00	1.00	1.00	46.0	13.5	3200	1.00	1.00	1.00	44.0	12.9	3690	1.00	1.00	42.0	12.3	4320	1.00	1.00	1.00	40.0	11.7	5120	1.00	1.00	1.00	37.0	10.9
	1400	660	490	14.4	2790	.61	.75	.88	46.5	13.6	3200	.62	.77	.91	44.0	12.9	3690	.63	.79	41.5	12.2	4320	.65	.81	.96	39.5	11.6	5110	1.00	1.00	1.00	37.0	10.9
63°F (17.2°C)	1650	780	50.5	14.8	2800	.64	.79	.93	48.0	14.1	3200	.65	.81	.96	45.5	13.3	3700	.66	.84	43.0	12.6	4320	.68	.86	1.00	40.5	11.9	5120	1.00	1.00	1.00	37.0	10.9
	1800	850	51.0	14.9	2800	.65	.82	.97	48.5	14.2	3200	.67	.84	1.00	46.0	13.5	3700	.68	.86	43.5	12.7	4330	.70	.89	1.00	41.0	12.0	5130	1.00	1.00	1.00	37.0	10.9
	1400	660	51.5	15.1	2800	.47	.60	.73	49.0	14.4	3210	.47	.61	.74	46.5	13.6	3700	.48	.62	44.5	13.0	4330	.48	.64	.79	42.0	12.3	5140	1.00	1.00	1.00	37.0	10.9
71°F (21.7°C)	1650	780	53.5	15.7	2800	.48	.63	.77	51.0	14.9	3210	.49	.64	.79	48.5	14.2	3710	.49	.66	46.0	13.5	4340	.50	.67	.84	43.5	12.7	5140	1.00	1.00	1.00	37.0	10.9
	1800	850	54.0	15.8	2800	.49	.64	.79	51.5	15.1	3210	.50	.66	.82	49.0	14.4	3710	.50	.67	46.5	13.6	4340	.51	.69	.87	44.0	12.9	5150	1.00	1.00	1.00	37.0	10.9

4SHP18LX160P (4 TON MODE) - BCE7S48 - TXV (INTERMEDIATE CAPACITY)

Entering Wet Bulb Temperature		Outdoor Air Temperature Entering Outdoor Coil																															
		85° F (29.4° C)			95° F (35° C)			105° F (40.6° C)			115° F (46.1° C)			125° F (51.7° C)																			
		Total Cooling Capacity		Sensible To Total Ratio (S/T)	Total Cooling Capacity		Sensible To Total Ratio (S/T)	Total Cooling Capacity		Sensible To Total Ratio (S/T)	Total Cooling Capacity		Sensible To Total Ratio (S/T)	Total Cooling Capacity		Sensible To Total Ratio (S/T)																	
		cfm	L/s		kBtu/h	kW		Comp. Motor Watts Input	Indoor Dry Bulb		85°F 29.4°C	75°F 23.9°C		80°F 26.7°C	85°F 29.4°C		kBtu/h	kW	Comp. Motor Watts Input	Indoor Dry Bulb	80°F 26.7°C	85°F 29.4°C											
59°F (15°C)	850	400	30.6	9.0	1420	.93	1.00	1.00	29.4	8.6	1690	.95	1.00	1.00	28.0	8.2	1970	.98	1.00	26.6	7.8	2280	1.00	1.00	1.00	25.0	7.3	2670	1.00	1.00	1.00	23.0	6.8
	1050	495	33.2	9.7	1410	.99	1.00	1.00	31.6	9.3	1680	1.00	1.00	1.00	30.2	8.9	1960	1.00	1.00	28.6	8.4	2270	1.00	1.00	1.00	26.8	7.9	2650	1.00	1.00	1.00	23.0	6.8
	1250	590	35.0	10.3	1390	1.00	1.00	1.00	33.4	9.8	1670	1.00	1.00	1.00	31.8	9.3	1940	1.00	1.00	30.0	8.8	2260	1.00	1.00	1.00	28.4	8.3	2630	1.00	1.00	1.00	23.0	6.8
	850	400	32.0	9.4	1410	.75	.89	1.00	30.4	8.9	1690	.77	.91	1.00	28.8	8.4	1960	.79	.94	27.0	7.9	2280	.81	.98	1.00	25.0	7.3	2670	1.00	1.00	1.00	23.0	6.8
63°F (17.2°C)	1050	495	33.8	9.9	1400	.80	.96	1.00	32.0	9.4	1680	.82	.99	1.00	30.4	8.9	1960	.85	1.00	28.6	8.4	2270	.88	1.00	1.00	26.8	7.9	2650	1.00	1.00	1.00	23.0	6.8
	1250	590	35.2	10.3	1390	.85	1.00	1.00	33.6	9.8	1670	.88	1.00	1.00	31.8	9.3	1940	.91	1.00	30.2	8.9	2260	.94	1.00	1.00	28.4	8.3	2630	1.00	1.00	1.00	23.0	6.8
	850	400	34.2	10.0	1400	.60	.73	.85	32.4	9.5	1670	.61	.75	.88	30.8	9.0	1950	.62	.76	29.0	8.5	2270	.63	.79	.94	26.8	7.9	2650	1.00	1.00	1.00	23.0	6.8
67°F (19.4°C)	1050	495	35.8	10.5	1390	.63	.78	.92	34.0	10.0	1660	.64	.80	.95	32.0	9.4	1940	.66	.83	30.2	8.9	2260	.68	.85	1.00	28.2	8.3	2630	1.00	1.00	1.00	23.0	6.8
	1250	590	37.2	10.9	1370	.66	.83	.99	35.2	10.3	1650	.68	.85	1.00	33.0	9.7	1940	.70	.88	31.0	9.1	2250	.72	.92	1.00	29.0	8.5	2620	1.00	1.00	1.00	23.0	6.8
	850	400	36.2	10.6	1380	.46	.58	.70	34.4	10.1	1660	.47	.59	.72	32.4	9.5	1940	.47	.61	30.8	9.0	2250	.48	.62	.76	28.6	8.4	2630	1.00	1.00	1.00	23.0	6.8
71°F (21.7°C)	1050	495	38.0	11.1	1370	.48	.62	.75	36.0	10.6	1650	.48	.63	.78	34.0	10.0	1930	.49	.65	32.0	9.4	2240	.50	.67	.83	30.0	8.8	2610	1.00	1.00	1.00	23.0	6.8
	1250	590	39.5	11.6	1350	.49	.65	.81	37.2	10.9	1630	.50	.67	.83	35.2	10.3	1920	.51	.69	33.0	9.7	2230	.52	.71	.89	30.8	9.0	2600	1.00	1.00	1.00	23.0	6.8

COOLING PERFORMANCE EXTENDED RATINGS

4SHP18LX160P (4 TON MODE) - BCE7S48 - TXV (MINIMUM CAPACITY)

Entering Wet Bulb Temperature	Outdoor Air Temperature Entering Outdoor Coil																																	
	75° F (23.9° C)							85° F (29.4° C)							95° F (35° C)							105° F (40.6° C)												
	Total Cooling Capacity		Sensible To Total Ratio (S/T)		Comp. Motor Watts Input	Total Cooling Capacity		Sensible To Total Ratio (S/T)		Comp. Motor Watts Input	Total Cooling Capacity		Sensible To Total Ratio (S/T)		Comp. Motor Watts Input	Total Cooling Capacity		Sensible To Total Ratio (S/T)		Comp. Motor Watts Input	Total Cooling Capacity		Sensible To Total Ratio (S/T)		Comp. Motor Watts Input	Total Cooling Capacity		Sensible To Total Ratio (S/T)						
	kBtuh	kW	75°F / 23.9°C	80°F / 26.7°C		85°F / 29.4°C	kBtuh	kW	75°F / 23.9°C		80°F / 26.7°C	85°F / 29.4°C	kBtuh	kW		75°F / 23.9°C	80°F / 26.7°C	85°F / 29.4°C	kBtuh		kW	75°F / 23.9°C	80°F / 26.7°C	85°F / 29.4°C		kBtuh	kW	75°F / 23.9°C	80°F / 26.7°C	85°F / 29.4°C	kBtuh	kW	75°F / 23.9°C	80°F / 26.7°C
cfm	L/s	675	320	22.6	6.6	810	1.00	1.00	1.00	216	6.3	1030	.99	1.00	1.00	206	6.0	1260	1.00	1.00	1.00	196	5.7	1480	1.00	1.00	1.00	206	6.0	1490	1.00	1.00	1.00	
59°F (15°C)	775	365	23.6	6.9	810	1.00	1.00	1.00	226	6.6	1030	1.00	1.00	1.00	216	6.3	1260	1.00	1.00	1.00	206	6.0	1490	1.00	1.00	1.00	206	6.0	1490	1.00	1.00	1.00		
	975	460	25.4	7.4	810	1.00	1.00	1.00	242	7.1	1040	1.00	1.00	1.00	232	6.8	1280	1.00	1.00	1.00	220	6.4	1510	1.00	1.00	1.00	220	6.4	1510	1.00	1.00	1.00		
	675	320	23.2	6.8	810	.78	.93	1.00	220	6.4	1030	.80	.95	1.00	208	6.1	1260	.82	.98	1.00	196	5.7	1490	.85	1.00	1.00	1.00	196	5.7	1490	.85	1.00	1.00	
65°F (17.2°C)	775	365	24.0	7.0	810	.82	.98	1.00	228	6.7	1030	.84	1.00	216	6.3	1260	.86	1.00	1.00	206	6.0	1490	.89	1.00	1.00	1.00	206	6.0	1490	.89	1.00	1.00	1.00	
	975	460	25.4	7.4	810	.89	1.00	1.00	242	7.1	1040	.92	1.00	232	6.8	1280	.95	1.00	1.00	220	6.4	1510	.98	1.00	1.00	1.00	220	6.4	1510	.98	1.00	1.00	1.00	
	675	320	24.6	7.2	810	.62	.76	.89	234	6.9	1030	.63	.77	.92	222	6.5	1270	.64	.80	.95	208	6.1	1500	.65	.82	.98	208	6.1	1500	.65	.82	.98	208	6.1
67°F (19.4°C)	775	365	25.4	7.4	810	.64	.79	.94	240	7.0	1040	.65	.81	.97	228	6.7	1270	.67	.84	1.00	214	6.3	1500	.69	.87	1.00	214	6.3	1500	.69	.87	1.00	1.00	
	975	460	26.6	7.8	810	.68	.87	1.00	252	7.4	1040	.70	.89	1.00	238	7.0	1280	.72	.92	1.00	224	6.6	1510	.74	.96	1.00	224	6.6	1510	.74	.96	1.00	1.00	
	675	320	26.0	7.6	810	.47	.60	.73	248	7.3	1040	.47	.61	.75	234	6.9	1280	.48	.63	.77	222	6.5	1510	.49	.64	.80	222	6.5	1510	.49	.64	.80	222	6.5
71°F (21.7°C)	775	365	26.8	7.9	810	.48	.63	.77	254	7.4	1040	.49	.64	.79	242	7.1	1290	.49	.66	.81	22.8	6.7	1520	.50	.67	.84	22.8	6.7	1520	.50	.67	.84	22.8	6.7
	975	460	28.0	8.2	810	.51	.68	.84	266	7.8	1050	.51	.70	.87	25.2	7.4	1300	.52	.71	.90	23.8	7.0	1540	.53	.74	.93	23.8	7.0	1540	.53	.74	.93	23.8	7.0

COOLING PERFORMANCE EXTENDED RATINGS

4SHP18LX160P (5 TON MODE) - BCE7S60 - TXV (MAXIMUM CAPACITY)

Entering Wet Bulb Temperature		Outdoor Air Temperature Entering Outdoor Coil																												
		85° F (29.4° C)			95° F (35° C)			105° F (40.6° C)			115° F (46.1° C)			125° F (51.7° C)																
		Total Cooling Capacity		Sensible To Total Ratio (S/T)	Total Cooling Capacity		Sensible To Total Ratio (S/T)	Total Cooling Capacity		Sensible To Total Ratio (S/T)	Total Cooling Capacity		Sensible To Total Ratio (S/T)	Total Cooling Capacity		Sensible To Total Ratio (S/T)														
cfm	L/s	kBtu/h	kW	Comp. Motor Watts Input	75°F 23.9°C	80°F 26.7°C	85°F 29.4°C	75°F 23.9°C	80°F 26.7°C	85°F 29.4°C	75°F 23.9°C	80°F 26.7°C	85°F 29.4°C	75°F 23.9°C	80°F 26.7°C	85°F 29.4°C														
59°F (15°C)		1575	745	54.0	15.8	3720	.89	1.00	1.00	.91	1.00	1.00	50.5	14.8	4780	.93	1.00	1.00	48.5	14.2	5490	.95	1.00	1.00	46.0	13.5	6330	.98	1.00	1.00
63°F (17.2°C)		1800	850	56.5	16.6	3730	.93	1.00	1.00	.95	1.00	1.00	52.5	15.4	4800	.97	1.00	1.00	50.0	14.7	5510	.99	1.00	1.00	48.0	14.1	6370	1.00	1.00	1.00
67°F (19.4°C)		2025	955	59.0	17.3	3740	.96	1.00	1.00	.98	1.00	1.00	54.5	16.0	4820	1.00	1.00	1.00	52.5	15.4	5540	1.00	1.00	1.00	49.5	14.5	6400	1.00	1.00	1.00
71°F (21.7°C)		1575	745	59.5	17.4	3750	.60	.72	.83	57.5	16.9	4240	.60	.73	4830	.61	.74	.86	52.5	15.4	5540	.62	.76	.89	49.5	14.5	6390	.63	.78	.92
		1800	850	62.0	18.2	3760	.61	.74	.86	59.0	17.3	4250	.62	.76	4840	.63	.77	.91	53.5	15.7	5560	.64	.79	.94	51.0	14.9	6430	.66	.81	.97
		2025	955	63.0	18.5	3760	.63	.77	.90	60.5	17.7	4260	.64	.78	4860	.65	.80	.95	55.5	16.3	5580	.66	.82	.97	52.0	15.2	6450	.68	.85	1.00
		1575	745	62.5	18.3	3760	.46	.58	.69	60.5	17.7	4260	.46	.59	4860	.47	.60	.72	55.5	16.3	5580	.47	.61	.73	52.0	15.2	6450	.48	.62	.75
		1800	850	64.5	18.9	3770	.47	.60	.72	62.5	18.3	4270	.47	.61	4880	.48	.62	.75	56.5	16.6	5600	.48	.63	.77	53.5	15.7	6470	.49	.65	.79
		2025	955	66.5	19.5	3770	.48	.62	.74	64.0	18.8	4280	.48	.63	4890	.49	.64	.78	58.0	17.0	5620	.49	.65	.80	54.5	16.0	6490	.50	.67	.87

4SHP18LX160P (5 TON MODE) - BCE7S60 - TXV (INTERMEDIATE CAPACITY)

Entering Wet Bulb Temperature		Outdoor Air Temperature Entering Outdoor Coil																														
		85° F (29.4° C)			95° F (35° C)			105° F (40.6° C)			115° F (46.1° C)			125° F (51.7° C)																		
		Total Cooling Capacity		Sensible To Total Ratio (S/T)	Total Cooling Capacity		Sensible To Total Ratio (S/T)	Total Cooling Capacity		Sensible To Total Ratio (S/T)	Total Cooling Capacity		Sensible To Total Ratio (S/T)	Total Cooling Capacity		Sensible To Total Ratio (S/T)																
cfm	L/s	kBtu/h	kW	Comp. Motor Watts Input	75°F 23.9°C	80°F 26.7°C	85°F 29.4°C	75°F 23.9°C	80°F 26.7°C	85°F 29.4°C	75°F 23.9°C	80°F 26.7°C	85°F 29.4°C	75°F 23.9°C	80°F 26.7°C	85°F 29.4°C																
59°F (15°C)		975	460	34.8	10.2	1580	.91	1.00	1.00	33.6	9.8	1860	.93	1.00	1.00	32.4	9.5	2150	.95	1.00	1.00	31.2	9.1	2480	.98	1.00	1.00	30.0	8.8	2870	1.00	1.00
63°F (17.2°C)		1125	530	36.6	10.7	1560	.95	1.00	1.00	35.2	10.3	1850	.97	1.00	1.00	34.0	10.0	2140	.99	1.00	1.00	32.6	9.6	2470	1.00	1.00	31.2	9.1	2860	1.00	1.00	
67°F (19.4°C)		1425	675	39.0	11.4	1540	1.00	1.00	1.00	37.8	11.1	1830	1.00	1.00	36.2	10.6	2120	1.00	1.00	2450	1.00	1.00	35.0	10.3	2450	1.00	1.00	33.4	9.8	2840	1.00	1.00
		975	460	36.4	10.7	1570	.75	.87	.99	34.8	10.2	1850	.76	.90	33.4	9.8	2150	.78	.92	31.8	9.3	2480	.80	.95	30.4	8.9	2870	.82	.97	1.00		
		1125	530	37.4	11.0	1560	.78	.92	1.00	35.8	10.5	1840	.79	.94	34.4	10.1	2140	.81	.97	32.8	9.6	2470	.83	.99	31.4	9.2	2860	.86	1.00	1.00		
		1425	675	39.5	11.6	1540	.83	.99	1.00	37.8	11.1	1830	.86	1.00	36.2	10.6	2120	.88	1.00	35.0	10.3	2450	.90	1.00	33.4	9.8	2840	.94	1.00	1.00		
		975	460	38.5	11.3	1550	.60	.73	.84	36.8	10.8	1840	.61	.74	35.2	10.3	2130	.62	.76	33.6	9.8	2470	.63	.77	32.0	9.4	2850	.64	.80	.94		
		1125	530	39.5	11.6	1540	.62	.76	.89	37.8	11.1	1820	.63	.77	36.0	10.6	2120	.64	.79	34.6	10.1	2460	.65	.81	32.8	9.6	2850	.67	.84	.99		
		1425	675	41.5	12.2	1520	.66	.81	.97	39.5	11.6	1810	.67	.84	37.6	11.0	2110	.69	.86	36.0	10.6	2440	.70	.89	34.2	10.0	2830	.72	.92	1.00		
		975	460	40.0	11.7	1530	.46	.59	.70	38.5	11.3	1820	.47	.60	36.8	10.8	2120	.47	.61	35.2	10.3	2450	.47	.62	33.6	9.8	2840	.48	.63	.77		
		1125	530	41.5	12.2	1510	.48	.61	.74	40.0	11.7	1800	.48	.62	38.0	11.1	2100	.48	.63	36.4	10.7	2440	.49	.64	34.6	10.1	2830	.49	.66	.82		
		1425	675	43.5	12.7	1490	.50	.65	.80	41.5	12.2	1780	.50	.67	39.5	11.6	2080	.51	.68	37.8	11.1	2420	.51	.69	36.2	10.6	2810	.52	.71	.90		

COOLING PERFORMANCE EXTENDED RATINGS

4SHP18LX160P (5 TON MODE) - BCE7S60 - TXV (MINIMUM CAPACITY)

Entering Wet Bulb Temperature		Outdoor Air Temperature Entering Outdoor Coil																																					
		75° F (23.9° C)				85° F (29.4° C)				95° F (35° C)				105° F (40.6° C)																									
		Total Cooling Capacity		Sensible To Total Ratio (S/T)		Total Cooling Capacity		Sensible To Total Ratio (S/T)		Total Cooling Capacity		Sensible To Total Ratio (S/T)		Total Cooling Capacity		Sensible To Total Ratio (S/T)																							
cfm	L/s	kW	kBTuh	Comp. Motor Watts Input	75°F 23.9°C	80°F 26.7°C	85°F 29.4°C	Indoor Dry Bulb	75°F 23.9°C	80°F 26.7°C	85°F 29.4°C	Indoor Dry Bulb	75°F 23.9°C	80°F 26.7°C	85°F 29.4°C	Indoor Dry Bulb	75°F 23.9°C	80°F 26.7°C	85°F 29.4°C	Indoor Dry Bulb	Comp. Motor Watts Input	Total Cooling Capacity	Sensible To Total Ratio (S/T)	Comp. Motor Watts Input	Total Cooling Capacity	Sensible To Total Ratio (S/T)	Comp. Motor Watts Input	Total Cooling Capacity	Sensible To Total Ratio (S/T)										
																														kW	kBTuh	kW	kBTuh	kW	kBTuh	kW	kBTuh	kW	kBTuh
675	320	216	6.3	850	.95	1.00	1.00	1070	.98	1.00	1.00	1290	.98	1.00	1.00	1510	.98	1.00	1.00	190	5.6	1510	.98	1.00	1.00	190	5.6	1510	.98										
900	425	238	7.0	860	1.00	1.00	1.00	1080	1.00	1.00	1.00	1310	1.00	1.00	1.00	1540	1.00	1.00	1.00	208	6.1	1540	1.00	1.00	208	6.1	1540	1.00	1.00	208	6.1	1540	1.00	1.00	208	6.1	1540	1.00	1.00
1125	530	252	7.4	870	1.00	1.00	1.00	1100	1.00	1.00	1.00	1330	1.00	1.00	1.00	1560	1.00	1.00	1.00	218	6.4	1560	1.00	1.00	218	6.4	1560	1.00	1.00	218	6.4	1560	1.00	1.00	218	6.4	1560	1.00	1.00
675	320	22.2	6.5	860	.78	.92	1.00	1070	.80	.95	1.00	1290	.82	.98	1.00	1510	.85	1.00	1.00	19.0	5.6	1510	.85	1.00	19.0	5.6	1510	.85	1.00	19.0	5.6	1510	.85	1.00	19.0	5.6	1510	.85	1.00
900	425	23.8	7.0	860	.85	1.00	1.00	1080	.88	1.00	1.00	1310	.91	1.00	1.00	1540	.94	1.00	1.00	20.8	6.1	1540	.94	1.00	20.8	6.1	1540	.94	1.00	20.8	6.1	1540	.94	1.00	20.8	6.1	1540	.94	1.00
1125	530	25.2	7.4	870	.93	1.00	1.00	1100	.96	1.00	1.00	1330	.99	1.00	1.00	1560	1.00	1.00	1.00	21.8	6.4	1560	1.00	1.00	21.8	6.4	1560	1.00	1.00	21.8	6.4	1560	1.00	1.00	21.8	6.4	1560	1.00	1.00
675	320	23.4	6.9	860	.62	.76	.89	1070	.63	.78	.91	1290	.65	.80	.94	1510	.66	.82	.98	20.2	5.9	1530	.66	.82	20.2	5.9	1530	.66	.82	20.2	5.9	1530	.66	.82	20.2	5.9	1530	.66	.82
900	425	24.8	7.3	860	.67	.83	.99	1090	.69	.86	1.00	1320	.70	.89	1.00	1540	.73	.92	1.00	21.2	6.2	1540	.73	.92	21.2	6.2	1540	.73	.92	21.2	6.2	1540	.73	.92	21.2	6.2	1540	.73	.92
1125	530	25.8	7.6	870	.72	.91	1.00	1100	.74	.94	1.00	1340	.76	.97	1.00	1560	.79	1.00	1.00	22.0	6.4	1560	.79	1.00	22.0	6.4	1560	.79	1.00	22.0	6.4	1560	.79	1.00	22.0	6.4	1560	.79	1.00
675	320	24.8	7.3	860	.48	.61	.74	1090	.48	.62	.75	1320	.48	.64	.78	1550	.49	.65	.80	21.2	6.2	1550	.49	.65	21.2	6.2	1550	.49	.65	21.2	6.2	1550	.49	.65	21.2	6.2	1550	.49	.65
900	425	26.4	7.7	870	.50	.66	.81	1110	.51	.68	.84	1340	.52	.70	.86	1560	.53	.72	.90	22.4	6.6	1560	.53	.72	22.4	6.6	1560	.53	.72	22.4	6.6	1560	.53	.72	22.4	6.6	1560	.53	.72
1125	530	27.2	8.0	880	.53	.71	.89	1120	.54	.73	.92	1360	.55	.75	.95	1580	.56	.78	.99	23.2	6.8	1580	.56	.78	23.2	6.8	1580	.56	.78	23.2	6.8	1580	.56	.78	23.2	6.8	1580	.56	.78

HEATING PERFORMANCE EXTENDED RATINGS

4SHP18LX136P (2 TON MODE) - BCE7S24 - INDOOR COIL AT 65°F DRY BULB

MINIMUM CAPACITY

Indoor Coil Air Volume 65°F db (18°C db)		Air Temperature Entering Outdoor Coil																
		65°F (18°C)				60°F (16°C)				55°F (13°C)				50°F (10°C)				
		Total Heating Capacity		Comp. Motor Watts Input		Total Heating Capacity		Comp. Motor Watts Input		Total Heating Capacity		Comp. Motor Watts Input		Total Heating Capacity		Comp. Motor Watts Input		
CFM	L/s	kBtuh	kW	kBtuh	kW	kBtuh	kW	kBtuh	kW	kBtuh	kW	kBtuh	kW	kBtuh	kW	kBtuh	kW	
250	120	10.5	3.1	570	9.8	2.9	565	9.2	2.7	560	8.5	2.5	555	8.5	2.5	555	8.5	2.5
375	175	10.9	3.2	465	10.2	3.0	460	9.6	2.8	455	8.9	2.6	455	8.9	2.6	455	8.9	2.6
450	210	11.1	3.3	430	10.5	3.1	425	9.8	2.9	420	9.2	2.7	420	9.2	2.7	420	9.2	2.7

MAXIMUM CAPACITY

Indoor Coil Air Volume 65°F db (18°C db)		Air Temperature Entering Outdoor Coil																			
		65°F (18°C)				45°F (7°C)				25°F (-4°C)				5°F (-15°C)				-15°F (-28°C)			
		Total Heating Capacity		Comp. Motor Watts Input		Total Heating Capacity		Comp. Motor Watts Input		Total Heating Capacity		Comp. Motor Watts Input		Total Heating Capacity		Comp. Motor Watts Input		Total Heating Capacity		Comp. Motor Watts Input	
CFM	L/s	kBtuh	kW	kBtuh	kW	kBtuh	kW	kBtuh	kW	kBtuh	kW	kBtuh	kW	kBtuh	kW	kBtuh	kW	kBtuh	kW		
700	330	32.3	9.5	2180	25.1	7.4	1870	17.7	5.2	1560	11.3	3.3	1265	5.7	1.7	970	5.7	1.7	970		
800	380	32.7	9.6	2100	25.4	7.4	1795	18.1	5.3	1485	11.7	3.4	1190	6.1	1.8	895	6.1	1.8	895		
900	425	33.1	9.7	2045	25.9	7.6	1740	18.5	5.4	1430	12.2	3.6	1135	6.5	1.9	840	6.5	1.9	840		

Outdoor Temp.	°F	65	60	55	50	47	45	40	35	30	25	20	17	15	10	5	0	-5	-10	-15	-20
	°C	18	16	13	10	8	7	4	2	-1	-4	-7	-8	-9	-12	-15	-18	-21	-23	-26	-29
Compressor Motor kW Input		2.1	2.03	1.95	1.88	1.83	1.8	1.71	1.63	1.56	1.49	1.42	1.37	1.34	1.27	1.19	1.12	1.05	0.97	0.9	0.83
Total Output	kBtuh	32.7	30.9	29.1	27.4	26.3	25.4	23.3	21.2	19.6	18.1	16.6	15.6	14.9	13.1	11.7	10.3	8.9	7.5	6.1	4.7
	kW	9.6	9.1	8.5	8.0	7.7	7.4	6.8	6.2	5.7	5.3	4.9	4.6	4.4	3.8	3.4	3.0	2.6	2.2	1.8	1.4
<u>COP</u>		3.98	3.89	3.79	3.68	3.62	3.54	3.38	3.22	3.09	2.96	2.83	2.72	2.65	2.44	2.32	2.19	2.02	1.85	1.62	1.36

	Inputs					
	Cap		Watts		Watts	
	Low		Med		High	
CFM	250		375		450	
62°F Low	10082.546		566.192		10492.001	
47°F Low	---		---		8531.356	
CFM	700		800		900	
47°F	25906.444		1903.714		26294.696	
35°F	---		---		21183.845	
17°F	---		---		15631.694	

HEATING PERFORMANCE EXTENDED RATINGS

4SHP18LX136P (2 TON MODE) - BCE7S24 - INDOOR COIL AT 70°F DRY BULB

MINIMUM CAPACITY

Indoor Coil Air Volume 70°F db (21°C db)		Air Temperature Entering Outdoor Coil															
		65°F (18°C)				60°F (16°C)				55°F (13°C)				50°F (10°C)			
		Total Heating Capacity		Comp. Motor Watts Input		Total Heating Capacity		Comp. Motor Watts Input		Total Heating Capacity		Comp. Motor Watts Input		Total Heating Capacity		Comp. Motor Watts Input	
CFM	L/s	kBtuh	kW	kBtuh	kW	kBtuh	kW	kBtuh	kW	kBtuh	kW	kBtuh	kW	kBtuh	kW		
250	120	10.3	3.0	610	9.7	2.8	610	9.0	2.6	605	8.4	2.5	600	8.4	2.5	600	
375	175	10.7	3.1	505	10.1	3.0	505	9.4	2.8	500	8.8	2.6	500	8.8	2.6	500	
450	210	10.9	3.2	470	10.3	3.0	470	9.6	2.8	465	9.0	2.6	465	9.0	2.6	465	

MAXIMUM CAPACITY

Indoor Coil Air Volume 70°F db (21°C db)		Air Temperature Entering Outdoor Coil																			
		65°F (18°C)				45°F (7°C)				25°F (-4°C)				5°F (-15°C)				-15°F (-28°C)			
		Total Heating Capacity		Comp. Motor Watts Input		Total Heating Capacity		Comp. Motor Watts Input		Total Heating Capacity		Comp. Motor Watts Input		Total Heating Capacity		Comp. Motor Watts Input		Total Heating Capacity		Comp. Motor Watts Input	
CFM	L/s	kBtuh	kW	kBtuh	kW	kBtuh	kW	kBtuh	kW	kBtuh	kW	kBtuh	kW	kBtuh	kW	kBtuh	kW	kBtuh	kW		
700	330	31.8	9.3	2305	24.6	7.2	1970	17.3	5.1	1635	11.0	3.2	1320	5.5	1.6	1015	5.5	1.6	1015		
800	380	32.2	9.4	2230	25.1	7.4	1895	17.8	5.2	1560	11.5	3.4	1245	6.0	1.8	940	6.0	1.8	940		
900	425	32.7	9.6	2175	25.5	7.5	1840	18.2	5.3	1505	11.9	3.5	1190	6.4	1.9	885	6.4	1.9	885		

Outdoor Temp.	°F	65	60	55	50	47	45	40	35	30	25	20	17	15	10	5	0	-5	-10	-15	-20
	°C	18	16	13	10	8	7	4	2	-1	-4	-7	-8	-9	-12	-15	-18	-21	-23	-26	-29
Compressor Motor kW Input		2.23	2.15	2.07	1.99	1.94	1.9	1.81	1.72	1.64	1.56	1.49	1.44	1.41	1.32	1.25	1.17	1.09	1.02	0.94	0.87
Total Output	kBtuh	32.2	30.5	28.7	27	25.9	25.1	22.9	20.8	19.3	17.8	16.2	15.3	14.6	12.9	11.5	10.1	8.7	7.3	6	4.6
	kW	9.4	8.9	8.4	7.9	7.6	7.4	6.7	6.1	5.7	5.2	4.7	4.5	4.3	3.8	3.4	3.0	2.5	2.1	1.8	1.3
<u>COP</u>		3.73	3.65	3.55	3.45	3.39	3.34	3.18	3.02	2.91	2.79	2.65	2.58	2.5	2.32	2.2	2.07	1.9	1.72	1.54	1.28

	Inputs					
	Cap		Watts		Watts	
	Low		Med		High	
CFM	250		375		450	
62°F Low	9938.449		608.689		10323.076	
47°F Low	---		---		8410.06	
CFM	700		800		900	
47°F	25426.535		2006.878		25897.145	
35°F	---		---		20822.52	
17°F	---		---		15321.692	

HEATING PERFORMANCE EXTENDED RATINGS

4SHP18LX136P (2 TON MODE) - BCE7S24 - INDOOR COIL AT 75°F DRY BULB

MINIMUM CAPACITY

Indoor Coil Air Volume 75°F db (24°C db)		Air Temperature Entering Outdoor Coil											
		65°F (18°C)		60°F (16°C)		55°F (13°C)		50°F (10°C)					
		Total Heating Capacity		Comp. Motor Watts Input		Total Heating Capacity		Comp. Motor Watts Input		Total Heating Capacity		Comp. Motor Watts Input	
CFM	L/s	kBtuh	kW	kBtuh	kW	kBtuh	kW	kBtuh	kW	kBtuh	kW	kBtuh	kW
250	120	10.2	3.0	655	9.6	2.8	655	9.0	2.6	650	8.3	2.4	650
375	175	10.5	3.1	545	9.9	2.9	545	9.3	2.7	545	8.7	2.5	540
450	210	10.7	3.1	515	10.1	3.0	510	9.5	2.8	510	8.9	2.6	505

MAXIMUM CAPACITY

Indoor Coil Air Volume 75°F db (24°C db)		Air Temperature Entering Outdoor Coil														
		65°F (18°C)		45°F (7°C)		25°F (-4°C)		5°F (-15°C)		-15°F (-28°C)						
		Total Heating Capacity		Comp. Motor Watts Input		Total Heating Capacity		Comp. Motor Watts Input		Total Heating Capacity		Comp. Motor Watts Input				
CFM	L/s	kBtuh	kW	kBtuh	kW	kBtuh	kW	kBtuh	kW	kBtuh	kW	kBtuh	kW			
700	330	31.4	9.2	2440	24.2	7.1	2080	17.0	5.0	1715	10.7	3.1	1380	5.4	1.6	1060
800	380	31.8	9.3	2360	24.6	7.2	2000	17.4	5.1	1640	11.1	3.3	1300	5.8	1.7	985
900	425	32.3	9.5	2305	25.1	7.4	1945	17.8	5.2	1580	11.6	3.4	1245	6.2	1.8	925

Outdoor Temp.	°F	65	60	55	50	47	45	40	35	30	25	20	17	15	10	5	0	-5	-10	-15	-20
	°C	18	16	13	10	8	7	4	2	-1	-4	-7	-8	-9	-12	-15	-18	-21	-23	-26	-29
Compressor Motor kW Input		2.36	2.27	2.19	2.1	2.04	2	1.9	1.81	1.72	1.64	1.56	1.51	1.47	1.38	1.3	1.22	1.14	1.07	0.99	0.91
Total Output	kBtuh	31.8	30.1	28.3	26.5	25.5	24.6	22.5	20.4	18.9	17.4	15.9	14.9	14.2	12.5	11.1	9.8	8.5	7.1	5.8	4.5
	kW	9.3	8.8	8.3	7.8	7.5	7.2	6.6	6.0	5.5	5.1	4.7	4.4	4.2	3.7	3.3	2.9	2.5	2.1	1.7	1.3
<u>COP</u>		3.49	3.42	3.33	3.24	3.19	3.12	2.98	2.83	2.73	2.63	2.5	2.41	2.34	2.17	2.05	1.93	1.79	1.61	1.43	1.21

	Inputs					
	Cap		Watts		Watts	
	Low		Med		High	
CFM	250		375		450	
62°F Low	9817.316		654.631		10151.654	
47°F Low	---		---		8299.372	
CFM	700		800		900	
47°F	25071.483		2117.548		25491.471	
35°F	---		---		20440.176	
17°F	---		---		14944.076	

HEATING PERFORMANCE EXTENDED RATINGS

4SHP18LX136P (3 TON MODE) - BCE7S36 - INDOOR COIL AT 65°F DRY BULB

MINIMUM CAPACITY

Indoor Coil Air Volume 65°F db (18°C db)		Air Temperature Entering Outdoor Coil											
		65°F (18°C)		60°F (16°C)		55°F (13°C)		50°F (10°C)					
		Total Heating Capacity		Comp. Motor Watts Input		Total Heating Capacity		Comp. Motor Watts Input		Total Heating Capacity		Comp. Motor Watts Input	
CFM	L/s	kBtuh	kW	kBtuh	kW	kBtuh	kW	kBtuh	kW	kBtuh	kW	kBtuh	kW
300	140	11.0	3.2	525	10.2	3.0	520	9.5	2.8	515	8.8	2.6	510
460	215	11.5	3.4	430	10.7	3.1	425	10.0	2.9	420	9.3	2.7	415
600	285	11.8	3.5	385	11.1	3.3	380	10.4	3.0	375	9.6	2.8	370

MAXIMUM CAPACITY

Indoor Coil Air Volume 65°F db (18°C db)		Air Temperature Entering Outdoor Coil														
		65°F (18°C)		45°F (7°C)		25°F (-4°C)		5°F (-15°C)		-15°F (-28°C)						
		Total Heating Capacity		Comp. Motor Watts Input		Total Heating Capacity		Comp. Motor Watts Input		Total Heating Capacity		Comp. Motor Watts Input				
CFM	L/s	kBtuh	kW	kBtuh	kW	kBtuh	kW	kBtuh	kW	kBtuh	kW	kBtuh	kW			
1050	495	43.0	12.6	2845	34.1	10.0	2580	24.9	7.3	2305	16.9	5.0	2045	8.2	2.4	1535
1300	615	43.8	12.8	2720	34.9	10.2	2460	25.7	7.5	2185	17.7	5.2	1920	9.0	2.6	1410
1350	635	44.0	12.9	2705	35.0	10.3	2440	25.9	7.6	2165	17.8	5.2	1900	9.2	2.7	1390

Outdoor Temp.	°F	65	60	55	50	47	45	40	35	30	25	20	17	15	10	5	0	-5	-10	-15	-20
	°C	18	16	13	10	8	7	4	2	-1	-4	-7	-8	-9	-12	-15	-18	-21	-23	-26	-29
Compressor Motor kW Input		2.72	2.66	2.6	2.54	2.5	2.46	2.35	2.24	2.21	2.19	2.16	2.14	2.11	2.05	1.92	1.8	1.67	1.54	1.41	1.28
Total Output	kBtuh	43.8	41.7	39.5	37.3	36	34.9	32.1	29.3	27.5	25.7	23.9	22.9	22	19.8	17.7	15.5	13.3	11.2	9	6.9
	kW	12.8	12.2	11.6	10.9	10.6	10.2	9.4	8.6	8.1	7.5	7.0	6.7	6.4	5.8	5.2	4.5	3.9	3.3	2.6	2.0
<u>COP</u>		3.95	3.83	3.7	3.56	3.48	3.42	3.27	3.1	2.94	2.78	2.61	2.51	2.44	2.25	2.14	2.02	1.86	1.7	1.5	1.26

	Inputs					
	Cap		Watts		Watts	
	Low		Med		High	
CFM	300		460		600	
62°F Low	10524.011		523.123		11033.986	
47°F Low	---		---		8832.423	
CFM	1050		1300		1350	
47°F	35171.583		2625.532		35983.145	
35°F	---		---		29263.631	
17°F	---		---		22880.685	

HEATING PERFORMANCE EXTENDED RATINGS

4SHP18LX136P (3 TON MODE) - BCE7S36 - INDOOR COIL AT 70°F DRY BULB

MINIMUM CAPACITY

Indoor Coil Air Volume 70°F db (21°C db)		Air Temperature Entering Outdoor Coil															
		65°F (18°C)				60°F (16°C)				55°F (13°C)				50°F (10°C)			
		Total Heating Capacity		Comp. Motor Watts Input		Total Heating Capacity		Comp. Motor Watts Input		Total Heating Capacity		Comp. Motor Watts Input		Total Heating Capacity		Comp. Motor Watts Input	
CFM	L/s	kBtuh	kW	kBtuh	kW	kBtuh	kW	kBtuh	kW	kBtuh	kW	kBtuh	kW	kBtuh	kW		
300	140	10.8	3.2	565	10.1	3.0	565	9.4	2.8	560	8.7	2.5	555	8.7	2.5		
460	215	11.2	3.3	470	10.5	3.1	470	9.8	2.9	465	9.1	2.7	465	9.1	2.7		
600	285	11.6	3.4	430	10.9	3.2	425	10.2	3.0	425	9.5	2.8	420	9.5	2.8		

MAXIMUM CAPACITY

Indoor Coil Air Volume 70°F db (21°C db)		Air Temperature Entering Outdoor Coil																			
		65°F (18°C)				45°F (7°C)				25°F (-4°C)				5°F (-15°C)				-15°F (-28°C)			
		Total Heating Capacity		Comp. Motor Watts Input		Total Heating Capacity		Comp. Motor Watts Input		Total Heating Capacity		Comp. Motor Watts Input		Total Heating Capacity		Comp. Motor Watts Input		Total Heating Capacity		Comp. Motor Watts Input	
CFM	L/s	kBtuh	kW	kBtuh	kW	kBtuh	kW	kBtuh	kW	kBtuh	kW	kBtuh	kW	kBtuh	kW	kBtuh	kW	kBtuh	kW		
1050	495	42.4	12.4	3005	33.5	9.8	2705	24.4	7.2	2395	16.3	4.8	2105	7.9	2.3	1580	7.9	2.3	1580		
1300	615	43.4	12.7	2885	34.4	10.1	2585	25.3	7.4	2275	17.3	5.1	1985	8.9	2.6	1460	8.9	2.6	1460		
1350	635	43.7	12.8	2870	34.7	10.2	2570	25.6	7.5	2255	17.6	5.2	1965	9.1	2.7	1440	9.1	2.7	1440		

Outdoor Temp.	°F	65	60	55	50	47	45	40	35	30	25	20	17	15	10	5	0	-5	-10	-15	-20
	°C	18	16	13	10	8	7	4	2	-1	-4	-7	-8	-9	-12	-15	-18	-21	-23	-26	-29
Compressor Motor kW Input		2.89	2.82	2.75	2.68	2.64	2.59	2.47	2.36	2.32	2.28	2.24	2.21	2.19	2.12	1.99	1.85	1.72	1.59	1.46	1.33
Total Output	kBtuh	43.4	41.2	39.1	36.9	35.6	34.4	31.7	28.9	27.1	25.3	23.6	22.5	21.6	19.4	17.3	15.2	13.1	11	8.9	6.7
	kW	12.7	12.1	11.5	10.8	10.4	10.1	9.3	8.5	7.9	7.4	6.9	6.6	6.3	5.7	5.1	4.5	3.8	3.2	2.6	2.0
<u>COP</u>		3.73	3.61	3.49	3.37	3.3	3.23	3.1	2.94	2.79	2.64	2.5	2.41	2.33	2.14	2.04	1.93	1.79	1.63	1.44	1.19

	Inputs					
	Cap		Watts		Watts	
	Low		Med		High	
CFM	300		460		600	
62°F Low	10335.858		563.761		10740.696	
47°F Low	---		---		8656.986	
CFM	1050		1300		1350	
47°F	34589.385		2754.25		35562.813	
35°F	---		---		28881.039	
17°F	---		---		22483.799	

HEATING PERFORMANCE EXTENDED RATINGS

4SHP18LX136P (3 TON MODE) - BCE7S36 - INDOOR COIL AT 75°F DRY BULB

MINIMUM CAPACITY

Indoor Coil Air Volume 75°F db (24°C db)		Air Temperature Entering Outdoor Coil											
		65°F (18°C)		60°F (16°C)		55°F (13°C)		50°F (10°C)					
		Total Heating Capacity		Comp. Motor Watts Input		Total Heating Capacity		Comp. Motor Watts Input		Total Heating Capacity		Comp. Motor Watts Input	
CFM	L/s	kBtuh	kW	kBtuh	kW	kBtuh	kW	kBtuh	kW	kBtuh	kW	kBtuh	kW
300	140	10.6	3.1	605	9.9	2.9	605	9.2	2.7	605	8.5	2.5	600
460	215	10.9	3.2	515	10.2	3.0	510	9.6	2.8	510	8.9	2.6	510
600	285	11.3	3.3	470	10.6	3.1	470	9.9	2.9	470	9.2	2.7	465

MAXIMUM CAPACITY

Indoor Coil Air Volume 75°F db (24°C db)		Air Temperature Entering Outdoor Coil														
		65°F (18°C)		45°F (7°C)		25°F (-4°C)		5°F (-15°C)		-15°F (-28°C)						
		Total Heating Capacity		Comp. Motor Watts Input		Total Heating Capacity		Comp. Motor Watts Input		Total Heating Capacity		Comp. Motor Watts Input				
CFM	L/s	kBtuh	kW	kBtuh	kW	kBtuh	kW	kBtuh	kW	kBtuh	kW	kBtuh	kW			
1050	495	41.8	12.3	3180	33.0	9.7	2840	24.1	7.1	2485	16.3	4.8	2160	7.9	2.3	1630
1300	615	42.7	12.5	3055	33.9	9.9	2715	24.9	7.3	2360	17.1	5.0	2035	8.7	2.5	1500
1350	635	43.1	12.6	3040	34.3	10.1	2700	25.4	7.4	2345	17.5	5.1	2020	9.2	2.7	1485

Outdoor Temp.	°F	65	60	55	50	47	45	40	35	30	25	20	17	15	10	5	0	-5	-10	-15	-20
	°C	18	16	13	10	8	7	4	2	-1	-4	-7	-8	-9	-12	-15	-18	-21	-23	-26	-29
Compressor Motor kW Input		3.06	2.98	2.9	2.82	2.77	2.72	2.59	2.46	2.41	2.36	2.31	2.28	2.25	2.17	2.04	1.9	1.77	1.64	1.5	1.37
Total Output	kBtuh	42.7	40.5	38.4	36.3	35	33.9	31.1	28.4	26.7	24.9	23.2	22.2	21.3	19.2	17.1	15	12.9	10.8	8.7	6.7
	kW	12.5	11.9	11.3	10.6	10.3	9.9	9.1	8.3	7.8	7.3	6.8	6.5	6.2	5.6	5.0	4.4	3.8	3.2	2.5	2.0
<u>COP</u>		3.49	3.39	3.29	3.18	3.11	3.07	2.92	2.78	2.66	2.52	2.39	2.31	2.24	2.08	1.98	1.86	1.72	1.56	1.37	1.16

	Inputs					
	Cap		Watts		Watts	
	Low		Med		High	
CFM	300		460		600	
62°F Low	10157.238		606.089		10526.269	
47°F Low	---		---		8434.538	
CFM	1050		1300		1350	
47°F	34138.565		2891.85		34973.3	
35°F	---		---		28417.589	
17°F	---		---		22167.754	

HEATING PERFORMANCE EXTENDED RATINGS

4SHP18LX160P (4 TON MODE) - BCE7S48 - INDOOR COIL AT 65°F DRY BULB

MINIMUM CAPACITY

Indoor Coil Air Volume 65°F db (18°C db)		Air Temperature Entering Outdoor Coil																
		65°F (18°C)				60°F (16°C)				55°F (13°C)				50°F (10°C)				
		Total Heating Capacity		Comp. Motor Watts Input		Total Heating Capacity		Comp. Motor Watts Input		Total Heating Capacity		Comp. Motor Watts Input		Total Heating Capacity		Comp. Motor Watts Input		
CFM	L/s	kBtuh	kW	kBtuh	kW	kBtuh	kW	kBtuh	kW	kBtuh	kW	kBtuh	kW	kBtuh	kW	kBtuh	kW	
675	320	23.6	6.9	1155	21.9	6.4	1165	20.3	5.9	1175	18.6	5.5	1190	18.6	5.5	1190	18.6	5.5
775	365	23.8	7.0	1070	22.1	6.5	1080	20.4	6.0	1090	18.7	5.5	1100	18.7	5.5	1100	18.7	5.5
975	460	24.3	7.1	950	22.6	6.6	960	21.0	6.2	970	19.3	5.7	985	19.3	5.7	985	19.3	5.7

MAXIMUM CAPACITY

Indoor Coil Air Volume 65°F db (18°C db)		Air Temperature Entering Outdoor Coil																			
		65°F (18°C)				45°F (7°C)				25°F (-4°C)				5°F (-15°C)				-15°F (-28°C)			
		Total Heating Capacity		Comp. Motor Watts Input		Total Heating Capacity		Comp. Motor Watts Input		Total Heating Capacity		Comp. Motor Watts Input		Total Heating Capacity		Comp. Motor Watts Input		Total Heating Capacity		Comp. Motor Watts Input	
CFM	L/s	kBtuh	kW	kBtuh	kW	kBtuh	kW	kBtuh	kW	kBtuh	kW	kBtuh	kW	kBtuh	kW	kBtuh	kW	kBtuh	kW		
1400	660	61.0	17.9	3965	47.7	14.0	3655	33.7	9.9	3280	24.5	7.2	3165	11.9	3.5	2350	11.9	3.5	2350		
1650	780	62.0	18.2	3760	48.8	14.3	3450	34.8	10.2	3080	25.6	7.5	2960	13.0	3.8	2145	13.0	3.8	2145		
1800	850	62.9	18.4	3670	49.6	14.5	3360	35.6	10.4	2990	26.4	7.7	2870	13.9	4.1	2060	13.9	4.1	2060		

Outdoor Temp.	°F	65	60	55	50	47	45	40	35	30	25	20	17	15	10	5	0	-5	-10	-15	-20
	°C	18	16	13	10	8	7	4	2	-1	-4	-7	-8	-9	-12	-15	-18	-21	-23	-26	-29
Compressor Motor kW Input		3.76	3.71	3.65	3.6	3.57	3.45	3.17	2.88	2.98	3.08	3.18	3.24	3.22	3.17	2.96	2.76	2.56	2.35	2.15	1.95
Total Output	kBtuh	62	59	56	52.9	51.1	48.8	42.9	37.1	35.9	34.8	33.6	32.9	31.7	28.7	25.6	22.4	19.3	16.2	13	9.9
	kW	18.2	17.3	16.4	15.5	15.0	14.3	12.6	10.9	10.5	10.2	9.8	9.6	9.3	8.4	7.5	6.6	5.7	4.7	3.8	2.9
<u>COP</u>		4.03	3.88	3.73	3.56	3.47	3.4	3.21	2.99	2.81	2.66	2.49	2.4	2.33	2.13	2.04	1.91	1.78	1.63	1.43	1.2

	Inputs					
	Cap		Watts		Watts	
	Low		Med		High	
CFM	675		775		975	
62°F Low	22603.93		1160.828		22765.26	
47°F Low	---		---		17737.009	
CFM	1400		1650		1800	
47°F	50049.179		3767.712		51124.258	
35°F	---		---		37075.511	
17°F	---		---		32940.592	

HEATING PERFORMANCE EXTENDED RATINGS

4SHP18LX160P (4 TON MODE) - BCE7S48 - INDOOR COIL AT 70°F DRY BULB

MINIMUM CAPACITY

Indoor Coil Air Volume 70°F db (21°C db)		Air Temperature Entering Outdoor Coil																
		65°F (18°C)				60°F (16°C)				55°F (13°C)				50°F (10°C)				
		Total Heating Capacity		Comp. Motor Watts Input		Total Heating Capacity		Comp. Motor Watts Input		Total Heating Capacity		Comp. Motor Watts Input		Total Heating Capacity		Comp. Motor Watts Input		
CFM	L/s	kBtuh	kW	kBtuh	kW	kBtuh	kW	kBtuh	kW	kBtuh	kW	kBtuh	kW	kBtuh	kW	kBtuh	kW	
675	320	23.3	6.8	1260	21.7	6.4	1270	20.0	5.9	1280	18.4	5.4	1295	18.4	5.4	1295	18.4	5.4
775	365	23.5	6.9	1175	21.8	6.4	1185	20.2	5.9	1195	18.5	5.4	1210	18.5	5.4	1210	18.5	5.4
975	460	24.0	7.0	1055	22.3	6.5	1065	20.7	6.1	1075	19.0	5.6	1090	19.0	5.6	1090	19.0	5.6

MAXIMUM CAPACITY

Indoor Coil Air Volume 70°F db (21°C db)		Air Temperature Entering Outdoor Coil																			
		65°F (18°C)				45°F (7°C)				25°F (-4°C)				5°F (-15°C)				-15°F (-28°C)			
		Total Heating Capacity		Comp. Motor Watts Input		Total Heating Capacity		Comp. Motor Watts Input		Total Heating Capacity		Comp. Motor Watts Input		Total Heating Capacity		Comp. Motor Watts Input		Total Heating Capacity		Comp. Motor Watts Input	
CFM	L/s	kBtuh	kW	kBtuh	kW	kBtuh	kW	kBtuh	kW	kBtuh	kW	kBtuh	kW	kBtuh	kW	kBtuh	kW	kBtuh	kW		
1400	660	60.4	17.7	4255	47.3	13.9	3910	33.5	9.8	3505	24.3	7.1	3365	11.8	3.5	2505	11.8	3.5	2505		
1650	780	61.6	18.1	4035	48.4	14.2	3690	34.6	10.1	3280	25.4	7.4	3145	12.9	3.8	2285	12.9	3.8	2285		
1800	850	62.1	18.2	3930	49.0	14.4	3590	35.1	10.3	3180	25.9	7.6	3045	13.4	3.9	2180	13.4	3.9	2180		

Outdoor Temp.	°F	65	60	55	50	47	45	40	35	30	25	20	17	15	10	5	0	-5	-10	-15	-20
	°C	18	16	13	10	8	7	4	2	-1	-4	-7	-8	-9	-12	-15	-18	-21	-23	-26	-29
Compressor Motor kW Input		4.04	3.97	3.91	3.85	3.82	3.69	3.39	3.08	3.18	3.28	3.39	3.45	3.42	3.36	3.15	2.93	2.72	2.5	2.29	2.07
Total Output	kBtuh	61.6	58.5	55.5	52.5	50.7	48.4	42.7	37	35.8	34.6	33.4	32.7	31.5	28.5	25.4	22.2	19.1	16	12.9	9.8
	kW	18.1	17.1	16.3	15.4	14.9	14.2	12.5	10.8	10.5	10.1	9.8	9.6	9.2	8.4	7.4	6.5	5.6	4.7	3.8	2.9
<u>COP</u>		3.78	3.63	3.49	3.34	3.25	3.19	3.02	2.82	2.66	2.5	2.36	2.27	2.2	2.02	1.92	1.81	1.68	1.53	1.35	1.13

	Inputs					
	Cap		Watts		Watts	
	Low		Med		High	
CFM	675		775		975	
62°F Low	22318.766		1266.665		22473.275	
47°F Low	---		---		17512.863	
CFM	1400		1650		1800	
47°F	49618.975		4035.011		50728.584	
35°F	---		---		36972.648	
17°F	---		---		32681.674	

HEATING PERFORMANCE EXTENDED RATINGS

4SHP18LX160P (4 TON MODE) - BCE7S48 - INDOOR COIL AT 75°F DRY BULB

MINIMUM CAPACITY

Indoor Coil Air Volume 75°F db (24°C db)		Air Temperature Entering Outdoor Coil											
		65°F (18°C)		60°F (16°C)		55°F (13°C)		50°F (10°C)					
		Total Heating Capacity		Comp. Motor Watts Input		Total Heating Capacity		Comp. Motor Watts Input		Total Heating Capacity		Comp. Motor Watts Input	
CFM	L/s	kBtuh	kW	kBtuh	kW	kBtuh	kW	kBtuh	kW	kBtuh	kW	kBtuh	kW
675	320	23.0	6.7	1365	21.3	6.2	1375	19.7	5.8	1390	18.0	5.3	1405
775	365	23.2	6.8	1280	21.5	6.3	1290	19.9	5.8	1305	18.2	5.3	1320
975	460	23.7	6.9	1160	22.1	6.5	1175	20.4	6.0	1190	18.8	5.5	1200

MAXIMUM CAPACITY

Indoor Coil Air Volume 75°F db (24°C db)		Air Temperature Entering Outdoor Coil														
		65°F (18°C)		45°F (7°C)		25°F (-4°C)		5°F (-15°C)		-15°F (-28°C)						
		Total Heating Capacity		Comp. Motor Watts Input		Total Heating Capacity		Comp. Motor Watts Input		Total Heating Capacity		Comp. Motor Watts Input				
CFM	L/s	kBtuh	kW	kBtuh	kW	kBtuh	kW	kBtuh	kW	kBtuh	kW	kBtuh	kW			
1400	660	60.0	17.6	4580	47.1	13.8	4200	33.6	9.8	3750	24.4	7.2	3590	12.0	3.5	2680
1650	780	60.8	17.8	4330	48.0	14.1	3950	34.4	10.1	3500	25.2	7.4	3345	12.8	3.8	2430
1800	850	61.7	18.1	4230	48.9	14.3	3850	35.3	10.3	3400	26.1	7.6	3245	13.7	4.0	2330

Outdoor Temp.	°F	65	60	55	50	47	45	40	35	30	25	20	17	15	10	5	0	-5	-10	-15	-20
	°C	18	16	13	10	8	7	4	2	-1	-4	-7	-8	-9	-12	-15	-18	-21	-23	-26	-29
Compressor Motor kW Input		4.33	4.27	4.2	4.13	4.09	3.95	3.62	3.29	3.4	3.5	3.61	3.67	3.64	3.58	3.35	3.12	2.89	2.66	2.43	2.2
Total Output	kBtuh	60.8	57.8	54.9	51.9	50.2	48	42.4	36.9	35.7	34.4	33.2	32.4	31.2	28.3	25.2	22.1	19	15.9	12.8	9.7
	kW	17.8	16.9	16.1	15.2	14.7	14.1	12.4	10.8	10.5	10.1	9.7	9.5	9.1	8.3	7.4	6.5	5.6	4.7	3.8	2.8
<u>COP</u>		3.51	3.38	3.25	3.12	3.04	2.99	2.84	2.67	2.51	2.36	2.23	2.14	2.07	1.91	1.81	1.71	1.59	1.45	1.28	1.07

	Inputs					
	Cap		Watts		Watts	
	Low		Med		High	
CFM	675		775		975	
62°F Low	21976.742		1372.283		22180.748	
47°F Low	---		---		17225.117	
CFM	1400		1650		1800	
47°F	49335.351		4331.326		50161.334	
35°F	---		---		36925.701	
17°F	---		---		32430.129	

HEATING PERFORMANCE EXTENDED RATINGS

4SHP18LX160P (5 TON MODE) - BCE7S60 - INDOOR COIL AT 65°F DRY BULB

MINIMUM CAPACITY

Indoor Coil Air Volume 65°F db (18°C db)		Air Temperature Entering Outdoor Coil											
		65°F (18°C)		60°F (16°C)		55°F (13°C)		50°F (10°C)					
		Total Heating Capacity		Comp. Motor Watts Input		Total Heating Capacity		Comp. Motor Watts Input		Total Heating Capacity		Comp. Motor Watts Input	
CFM	L/s	kBtuh	kW	kBtuh	kW	kBtuh	kW	kBtuh	kW	kBtuh	kW	kBtuh	kW
675	320	21.6	6.3	1095	20.4	6.0	1105	19.1	5.6	1115	17.8	5.2	1125
900	425	22.1	6.5	945	20.8	6.1	950	19.5	5.7	960	18.3	5.4	970
1125	530	22.7	6.7	855	21.4	6.3	860	20.1	5.9	870	18.9	5.5	880

MAXIMUM CAPACITY

Indoor Coil Air Volume 65°F db (18°C db)		Air Temperature Entering Outdoor Coil														
		65°F (18°C)		45°F (7°C)		25°F (-4°C)		5°F (-15°C)		-15°F (-28°C)						
		Total Heating Capacity		Comp. Motor Watts Input		Total Heating Capacity		Comp. Motor Watts Input		Total Heating Capacity		Comp. Motor Watts Input				
CFM	L/s	kBtuh	kW	kBtuh	kW	kBtuh	kW	kBtuh	kW	kBtuh	kW	kBtuh	kW			
1575	745	69.5	20.4	4730	55.6	16.3	4370	41.3	12.1	4000	29.3	8.6	3550	14.3	4.2	2640
1800	850	70.5	20.7	4550	56.6	16.6	4190	42.3	12.4	3820	30.3	8.9	3370	15.3	4.5	2460
2025	955	71.4	20.9	4405	57.5	16.9	4045	43.2	12.7	3675	31.2	9.1	3225	16.2	4.7	2315

Outdoor Temp.	°F	65	60	55	50	47	45	40	35	30	25	20	17	15	10	5	0	-5	-10	-15	-20
	°C	18	16	13	10	8	7	4	2	-1	-4	-7	-8	-9	-12	-15	-18	-21	-23	-26	-29
Compressor Motor kW Input		4.55	4.46	4.38	4.29	4.24	4.19	4.07	3.95	3.88	3.82	3.76	3.72	3.69	3.6	3.37	3.14	2.92	2.69	2.46	2.23
Total Output	kBtuh	70.5	67.2	63.9	60.6	58.6	56.6	51.7	46.8	44.5	42.3	40	38.7	37.4	34	30.3	26.6	22.8	19.1	15.3	11.6
	kW	20.7	19.7	18.7	17.8	17.2	16.6	15.2	13.7	13.0	12.4	11.7	11.3	11.0	10.0	8.9	7.8	6.7	5.6	4.5	3.4
<u>COP</u>		3.78	3.66	3.53	3.41	3.33	3.25	3.04	2.82	2.71	2.61	2.5	2.44	2.37	2.2	2.09	1.97	1.83	1.66	1.46	1.22

	Inputs					
	Cap		Watts		Watts	
	Low		Med		High	
CFM	675		900		1125	
62°F Low	20867.712		1100.65		21321.809	
47°F Low	---		---		17508.54	
CFM	1575		1800		2025	
47°F	57559.884		4419.566		58600.287	
35°F	---		---		4236.72	
17°F	---		---		59494.049	
	---		---		4092.119	
	---		---		46799.411	
	---		---		3944.136	
	---		---		38694.096	
	---		---		3717.957	

HEATING PERFORMANCE EXTENDED RATINGS

4SHP18LX160P (5 TON MODE) - BCE7S60 - INDOOR COIL AT 70°F DRY BULB

MINIMUM CAPACITY

Indoor Coil Air Volume 70°F db (21°C db)		Air Temperature Entering Outdoor Coil														
		65°F (18°C)		60°F (16°C)		55°F (13°C)		50°F (10°C)								
		Total Heating Capacity		Comp. Motor Watts Input		Total Heating Capacity		Comp. Motor Watts Input		Total Heating Capacity		Comp. Motor Watts Input				
CFM	L/s	kBtuh	kW	kBtuh	kW	kBtuh	kW	kBtuh	kW	kBtuh	kW	kBtuh	kW	kBtuh	kW	
675	320	21.3	6.2	1200	20.0	5.9	1205	18.7	5.5	1215	17.5	5.1	1220	17.5	5.1	1220
900	425	21.7	6.4	1045	20.5	6.0	1055	19.2	5.6	1060	18.0	5.3	1070	18.0	5.3	1070
1125	530	22.3	6.5	955	21.1	6.2	960	19.8	5.8	970	18.5	5.4	980	18.5	5.4	980

MAXIMUM CAPACITY

Indoor Coil Air Volume 70°F db (21°C db)		Air Temperature Entering Outdoor Coil															
		65°F (18°C)		45°F (7°C)		25°F (-4°C)		5°F (-15°C)		-15°F (-28°C)							
		Total Heating Capacity		Comp. Motor Watts Input		Total Heating Capacity		Comp. Motor Watts Input		Total Heating Capacity		Comp. Motor Watts Input		Total Heating Capacity		Comp. Motor Watts Input	
CFM	L/s	kBtuh	kW	kBtuh	kW	kBtuh	kW	kBtuh	kW	kBtuh	kW	kBtuh	kW	kBtuh	kW	kBtuh	kW
1575	745	69.0	20.2	4975	55.1	16.1	4615	40.7	11.9	4240	29.0	8.5	3770	14.2	4.2	2800	8.1
1800	850	69.9	20.5	4780	56.0	16.4	4420	41.6	12.2	4045	29.9	8.8	3575	15.1	4.4	2605	8.5
2025	955	71.2	20.9	4640	57.3	16.8	4275	42.9	12.6	3905	31.1	9.1	3435	16.4	4.8	2465	9.0

Outdoor Temp.	°F	65	60	55	50	47	45	40	35	30	25	20	17	15	10	5	0	-5	-10	-15	-20
	°C	18	16	13	10	8	7	4	2	-1	-4	-7	-8	-9	-12	-15	-18	-21	-23	-26	-29
Compressor Motor kW Input		4.78	4.7	4.61	4.52	4.47	4.42	4.3	4.18	4.12	4.05	3.98	3.94	3.91	3.82	3.58	3.34	3.09	2.85	2.61	2.37
Total Output	kBtuh	69.9	66.6	63.3	60	58	56	50.9	45.8	43.7	41.6	39.4	38.2	36.8	33.5	29.9	26.2	22.5	18.8	15.1	11.5
	kW	20.5	19.5	18.6	17.6	17.0	16.4	14.9	13.4	12.8	12.2	11.5	11.2	10.8	9.8	8.8	7.7	6.6	5.5	4.4	3.4
<u>COP</u>		3.59	3.48	3.35	3.23	3.15	3.07	2.86	2.63	2.54	2.45	2.35	2.29	2.23	2.06	1.97	1.85	1.72	1.56	1.37	1.15

	Inputs					
	Cap		Watts		Watts	
	Low		Med		High	
CFM	675		900		1125	
62°F Low	20504.684		1202.749		20978.025	
47°F Low	---		---		17200.79	
CFM	1575		1800		2025	
47°F	57126.382		4661.695		58019.201	
35°F	---		---		45848.72	
17°F	---		---		38167.733	

HEATING PERFORMANCE EXTENDED RATINGS

4SHP18LX160P (5 TON MODE) - BCE7S60 - INDOOR COIL AT 75°F DRY BULB

MINIMUM CAPACITY

Indoor Coil Air Volume 75°F db (24°C db)		Air Temperature Entering Outdoor Coil											
		65°F (18°C)		60°F (16°C)		55°F (13°C)		50°F (10°C)					
		Total Heating Capacity	Comp. Motor Watts Input	Total Heating Capacity	Comp. Motor Watts Input	Total Heating Capacity	Comp. Motor Watts Input	Total Heating Capacity	Comp. Motor Watts Input				
CFM	L/s	kBtuh	kW	kBtuh	kW	kBtuh	kW	kBtuh	kW	kBtuh	kW	kBtuh	kW
675	320	20.9	6.1	1300	19.7	5.8	1305	18.4	5.4	1315	17.2	5.0	1320
900	425	21.4	6.3	1150	20.1	5.9	1160	18.9	5.5	1165	17.6	5.2	1175
1125	530	22.0	6.4	1060	20.7	6.1	1065	19.5	5.7	1075	18.2	5.3	1085

MAXIMUM CAPACITY

Indoor Coil Air Volume 75°F db (24°C db)		Air Temperature Entering Outdoor Coil														
		65°F (18°C)		45°F (7°C)		25°F (-4°C)		5°F (-15°C)		-15°F (-28°C)						
		Total Heating Capacity	Comp. Motor Watts Input	Total Heating Capacity	Comp. Motor Watts Input	Total Heating Capacity	Comp. Motor Watts Input	Total Heating Capacity	Comp. Motor Watts Input	Total Heating Capacity	Comp. Motor Watts Input					
CFM	L/s	kBtuh	kW	kBtuh	kW	kBtuh	kW	kBtuh	kW	kBtuh	kW	kBtuh	kW	kBtuh	kW	
1575	745	68.4	20.0	5250	54.5	16.0	4875	40.1	11.8	4485	28.7	8.4	4005	14.0	4.1	2975
1800	850	69.4	20.3	5035	55.5	16.3	4660	41.1	12.0	4270	29.7	8.7	3790	15.0	4.4	2760
2025	955	70.5	20.7	4880	56.6	16.6	4500	42.2	12.4	4115	30.8	9.0	3635	16.1	4.7	2605

Outdoor Temp.	°F	65	60	55	50	47	45	40	35	30	25	20	17	15	10	5	0	-5	-10	-15	-20
	°C	18	16	13	10	8	7	4	2	-1	-4	-7	-8	-9	-12	-15	-18	-21	-23	-26	-29
Compressor Motor kW Input		5.04	4.95	4.86	4.77	4.72	4.66	4.53	4.39	4.33	4.27	4.21	4.18	4.14	4.05	3.79	3.54	3.28	3.02	2.76	2.51
Total Output	kBtuh	69.4	66.1	62.8	59.5	57.6	55.5	50.3	45.1	43.1	41.1	39.1	37.9	36.6	33.3	29.7	26	22.4	18.7	15	11.4
	kW	20.3	19.4	18.4	17.4	16.9	16.3	14.7	13.2	12.6	12.0	11.5	11.1	10.7	9.8	8.7	7.6	6.6	5.5	4.4	3.3
<u>COP</u>		3.42	3.3	3.18	3.06	2.99	2.91	2.7	2.48	2.4	2.32	2.23	2.17	2.12	1.96	1.87	1.76	1.63	1.48	1.3	1.09

	Inputs					
	Cap		Watts		Watts	
	Low		Med		High	
CFM	675		900		1125	
62°F Low	20180.617		1303.334		20627.201	
47°F Low	---		---		16880.398	
CFM	1575		1800		2025	
47°F	56580.484		4926.983		57575.099	
35°F	---		---		45148.624	
17°F	---		---		37915.795	

ACCESSORIES

Description	Where Used	Kit Number
H4TXV01 (TXV Kit)	4SHP18LX36 (2 Ton mode)	1.851363
H4TXV02 (TXV Kit)	4SHP18LX36 (3 Ton mode) 4SHP18LX60 (4 Ton mode)	1.851364
H4TXV03 (TXV Kit)	4SHP18LX60 (5 Ton mode)	1.851365
Crankcase Heater	All models	Factory installed
Sound Blanket	All models	Factory installed
Loss of Charge Kit	All models	Factory Installed
Freezestat	3/8 tubing	93G35
Comfort Sync® Thermostat	All models	1.841226
Comfort Sync® Zoning Controller	All models	1.851399
Comfort Sync® Zone Sensor	All models	1.851422
Discharge Air Temperature Sensor	All models	88K38



1-800-448-5872

All specifications and illustrations subject to change without notice and without incurring obligations.