

# GAS VENT SYSTEMS



## TYPE B GAS VENT SYSTEMS

Type B Gas Vent - Round and Oval

DuraConnect<sup>®</sup> - Single-Wall Connector

DuraConnect II<sup>™</sup> - Double-Wall Connector

DuraFlex<sup>®</sup> Aluminum



Engineered Excellence<sup>®</sup>



# GAS VENT SYSTEMS

## TYPE B GAS VENT SYSTEMS FOR NATURAL GAS OR LIQUID PROPANE CATEGORY I APPLIANCES

*The Simpson Dura-Vent Type B gas vent system features our “no equal” twist-lock connections. Precision swedged fittings offer the contractor a superior positive-lock connection that is quick and easy to assemble.*

*When necessary, the system may also be disconnected without damage to the product.*

Simpson Dura-Vent Type B gas vent is designed to meet the rugged demands of the job site. To resist damage or ovalizing, inverted beads and hemmed edges are on both ends of the vent pipe to provide for superior structural rigidity. Hemmed edges also serve to eliminate cuts from raw sheet metal edges. The inner wall is recessed to eliminate damage in handling.

Simpson Dura-Vent Type B gas vent has been engineered for optimum vent performance. The twist-lock design eliminates the need for perforations in the outer walls, as is common with snap-lock type systems. Inverted beads on each end of the pipe seal the air space between the inner and outer walls, providing superior insulating characteristics. Engineered to heat up rapidly and remain hot during the operation of the appliance, Simpson Dura-Vent Type B gas vent is the Contractor's Choice for minimizing the effects of condensation on the appliance and vent system.

## 3”-30” ROUND DIAMETER

Oval “BW” vent is available in 4, 5, and 6 inch diameter sizes. DuraConnect and

DuraConnect II flexible vent connectors are available in 3, 4, 5, and 6 inch diameter sizes.

DuraFlex gas relining systems are available in 3, 4, 5, 6, 7, and 8 inch diameter sizes. All product lines are offered with a complete line of fittings for every conceivable application. Simpson Dura-Vent products are made in the United States and are available through a nation-wide network of distributors and dealers.

## TYPE B GAS VENT

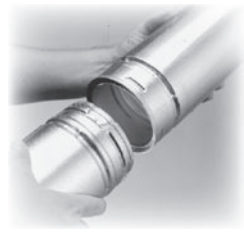
### Quality Construction

- Listed to UL 441 (file MH6357)
- Listed to ULC S605 (file CMH1276 & 1407)
- Aluminum inner wall
- Galvanized outer wall
- Clearances - 1” to combustibles
- Warranty - 25 years



# PROFESSIONAL VENT FOR THE PROFESSIONAL INSTALLER

Simpson Dura-Vent offers superior quality in round, oval, and flexible gas vent systems. The



Simpson Dura-Vent Type B gas vent system supports enhanced performance of gas appliances. Many of the vent features provide installation safety and additional handling strength to create one of the highest quality gas vent products available. Pipe lengths are available in multiple lengths of 6 to 60 inches with a full complement of rigid and adjustable fittings. No cutting or special fabrication is ever necessary.

## SIMPSON DURA-VENT TYPE B GAS VENT SPECIFICATIONS

Simpson Dura-Vent Type B gas vents are suitable for use with low heat gas-fired appliances as outlined and listed in accordance with installation guidelines of the National Fire Protection Association (N.F.P.A.) No. 54 and No. 211 as having a 1" clearance to combustibles in single and multi-family dwellings. The Simpson Dura-Vent Type B gas vent (3"-30" Round, 4"-6" Oval) is a double-wall, UL and ULC Listed, air-insulated venting system.

Type B gas vents are not suitable for use with wood-burning or coal applications, industrial ovens, exhaust ranges and hoods; grease or pollution ducting, or as free-standing exhaust vents for high temperature applications. Type B gas vents are listed by Underwriters Laboratories for temperature up to 400°F plus ambient and Type BW gas vents are listed up to 480°F plus ambient.

Complete sizing and system capacity information to aid installations can be readily obtained by requesting a Simpson Dura-Vent Sizing Handbook (L202) from Customer Service or at [www.duravent.com](http://www.duravent.com).

Corrosion resistance and thermal reflectivity are essential for safe, trouble-free performance. That's why we use only premium grade G90 galvanized steel (.018" min.) for the outer casing, and aluminum (.012" min.) for the inner wall.

For safe, efficient, trouble-free gas venting, Simpson Dura-Vent gas vent systems offer a wide range of applications including: natural gas fireplaces, gas-fired furnaces, boilers, water heaters and wall or space heating applications.

## COMPLETE LINE OF VENT CAPS

Gas vent cap design is a key ingredient in winning a job bid. That's why Simpson Dura-Vent offers two different style caps - for all your installation needs.

To meet the demands of the residential market, we offer an aesthetically pleasing DuraCap, a low profile and economical vent cap. For installations demanding performance under extreme wind and weather conditions, we offer a High Wind Vent Cap. Both caps are UL and ULC Listed.

## DURACONNECT®

- Listed to UL 441 (file MH14089)
- Single-wall connector pipe
- .010" Aluminum flex inner wall
- .018" Galvalume outer wall
- Clearances - 1" to combustibles
- Warranty - 10 years

## DURACONNECT® II

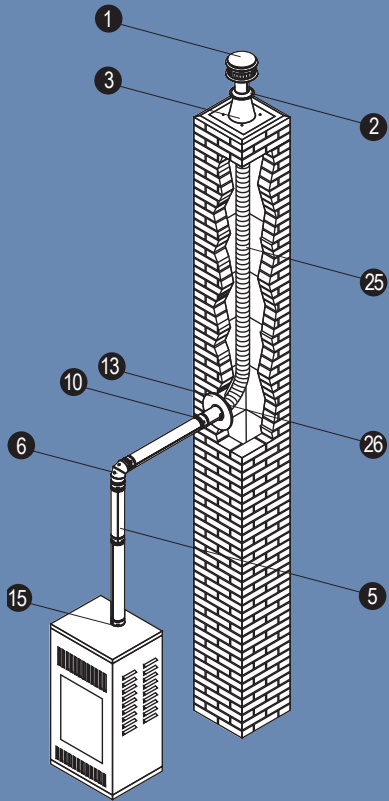
- Listed to UL 441 (file MH14089)
- Double-wall connector pipe
- .010" Aluminum flex inner wall
- .018" Galvalume outer wall
- Clearances - 1" to combustibles
- Warranty - 10 years

## DURAFLEX® AL

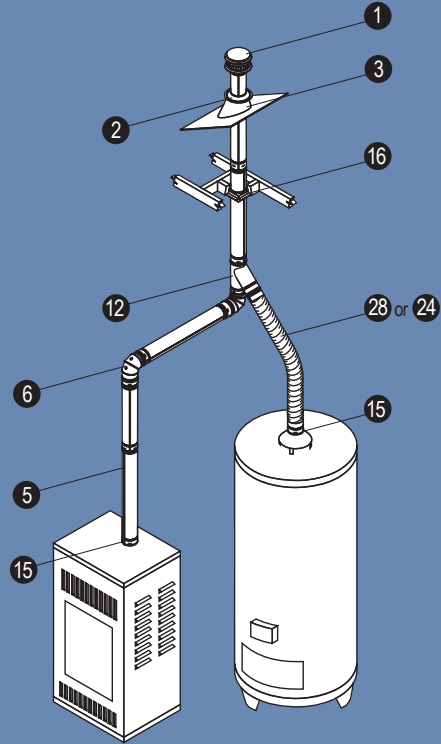
- Listed to UL 1777 (file MH14420)
- .010" Aluminum
- Clearances - 0" to masonry
- Warranty - 10 years



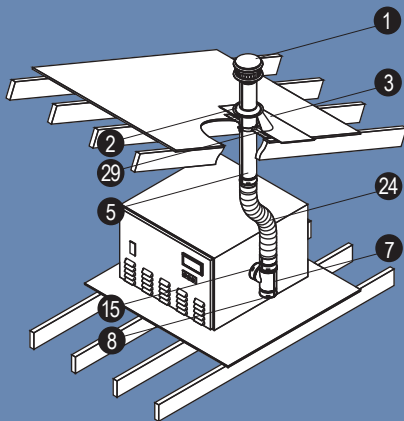
# TYPICAL INSTALLATIONS



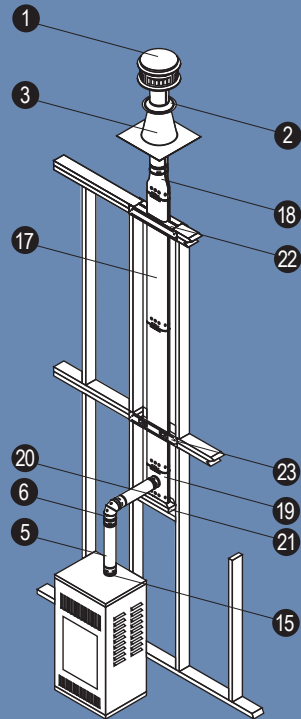
Furnace to Masonry



Water Heater to Furnace

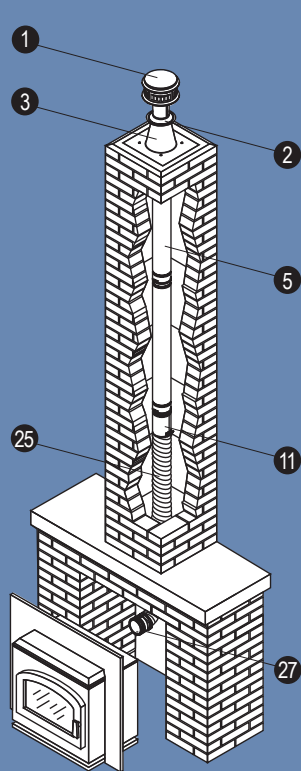


Attic Furnace

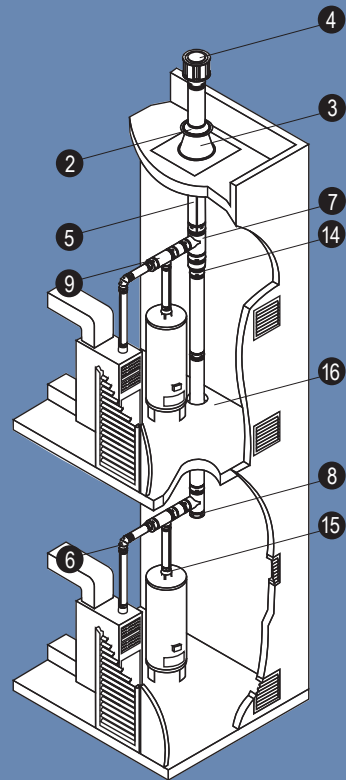


Furnace to Oval Type B gas vent

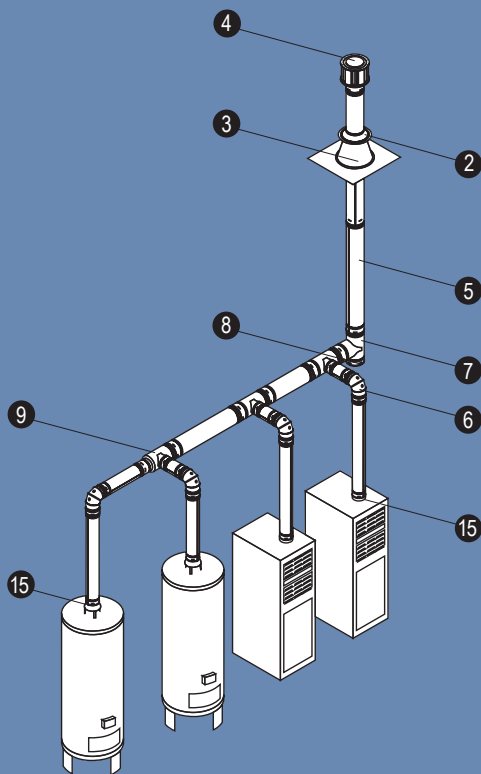
# TYPICAL INSTALLATIONS



Gas Insert to Masonry



Multi-Story



Type B gas vent Manifold

## GAS VENT SYSTEMS

1	DuraCap, p.10	16	Square Firestop Support, p.18
2	Storm Collar, p.11	17	Oval Pipe, p.20
3	Roof Flashing, p.14, 15	18	Oval to Round Adapter, p.21
4	High Wind Vent Cap, p.10	19	Oval Tee, p.23
5	Round Pipe, p.6	20	Oval Tee Cap, p.24
6	Elbow, p.7	21	Oval Tee Support, p.24
7	Tee, p.8	22	Oval Firestop Spacer, p.25
8	Tee Cap, p.9	23	Oval Ceiling Plate Spacer, p.25
9	Increaser Tee, p.9	24	DuraConnect II, p.26
10	Female Flex Adapter, p.35	25	DuraFlex AL Length, p.32
11	Male Adapter, p.12	26	DuraFlex Motar Sleeve, p.34
12	Double-Wall Wye, p.13	27	DuraFlex AL Coupling, p.36
13	Pipe Collar, p.14	28	DuraConnect, p.27
14	Increaser, p.16	29	Gas Vent Roof Support, p.18
15	Draft Hood Connector, p.17		

# PRODUCT SPECIFICATIONS

Item	Clearances	Maximum Height	Outer Tube Ø	Materials	Locking Device	UL Listing	ULC Listing
Type B Vent Round 3"-8"	1 inch to combustibles	100 feet	5/8" larger than ID	Inner - .012" Aluminum Outer - .018" Galvanized	Twist-Lock	MH6357	CMH1276
Round 10" to 16" See notes 2 & 5	1 inch to combustibles	100 feet	1" larger than ID	Inner - .016" Aluminum Outer - .021" Galvanized	Twist-Lock	MH6357	CMH1276
Round 18" to 30"	1 inch to combustibles	100 feet	2" larger than ID See note 5	Inner - .020" Aluminum Outer - .021" Galvanized	Screws	MH6357	CMH1276
Oval Type B Vent 4" and 5"	2" x 4" & 2" x 6" stud wall and 1 inch to combustibles	See Note 3	2½" x 7¼" 3⅝" x 10⅞"	Inner - .012" Aluminum Outer - .018" Galvanized	Button Lock	MH6357	CMH1276
Oval 6"	2" x 6" stud wall and 1 inch to combustibles	See Note 3	3¼" x 12"	Inner - .012" Aluminum Outer - .018" Galvanized	Button Lock	MH6357	CMH1276
Type B Vent 3" to 6" Round Liner	0"/Masonry	50 feet	5/8" larger than ID	Inner - .012" Aluminum Outer - .018" Galvanized	Twist-Lock	MH14420 MH6357	CMH1407
DuraFlex AL Gas Relining 3" to 6"	0"/Masonry	50 feet	¼" larger than ID	.010" Aluminum Flex	Screws Twist-Lock	MH14420	--
DuraConnect 3" to 6"	1 inch to combustibles	See Note 4	¼" larger than ID	.010" Aluminum Flex .018" Galvalume	Twist-Lock	MH14089	--
DuraConnect II 3" to 6"	1 inch to combustibles	See Note 4	¼" larger than ID	.010" Aluminum Flex .018" Galvalume	Twist-Lock	MH14089	--
NOTES			3. When oval is used on wall furnaces, minimum height required from bottom of furnace to cap is 12', minimum 16" stud space. 4. Limited by sizing tables. 5. 18" pipe OD is one inch larger than ID and 20" - 30" OD is 2" greater than ID.				
1. Clearance to combustibles is the air space between vent and combustibles. 2. Maximum height varies with equipment over 50', for taller applications refer to SDV sizing handbook (L202.)							

## RULES FOR SAFE VENTING OF GAS APPLIANCES

Proper gas venting should perform the following functions to insure safe and dependable operation of the appliance:

1. Safely vent all of the hot combustion gases to the outside atmosphere.
2. Prevent overheating of nearby walls or framing.
3. Control condensation of water vapor present in combustion gases.
4. Provide fast priming of the unit.

The amount of heat the vent gases lose as they flow determines how much condensation will occur and how strong the draft will be. To control the heat loses, proper selection of venting materials is of vital importance.

Double-wall Type B gas vent, with an aluminum inner wall and a galvanized steel outer wall, has proven to be the ideal choice in venting materials.

### VENT TERMINATION TABLE

Gas Vent systems using vent caps listed by Underwriter's Laboratories may terminate in accordance with this table

Roof Pitch	Minimum Height	
	Feet	Meters
Flat to 7/12	1.0	0.30
Over 7/12 to 8/12	1.5	0.46
Over 8/12 to 9/12	2.0	0.61
Over 9/12 to 10/12	2.5	0.76
Over 10/12 to 11/12	3.25	0.99
Over 11/12 to 12/12	4.0	1.22
Over 12/12 to 14/12	5.0	1.52
Over 14/12 to 16/12	6.0	1.83
Over 16/12 to 18/12	7.0	2.13
Over 18/12 to 20/12	7.5	2.29
Over 20/12 to 21/12	8.0	2.44

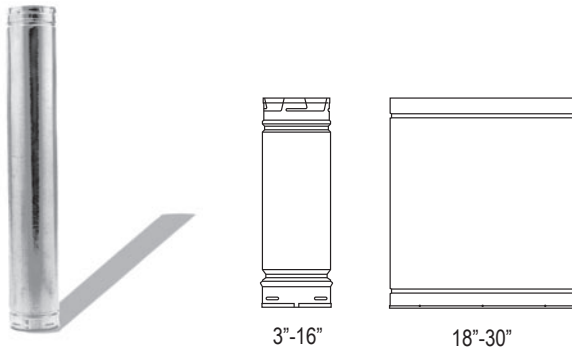
# ROUND TYPE B GAS VENT

## STRAIGHT LENGTH PIPE

Type B gas vents are for venting listed natural gas or liquid propane Category I, draft hood appliances, or appliances that have been specifically tested and listed to use Type B gas vent. The appliances listed typically, but not always, use Type B gas vent systems: Furnaces, Water Heaters, Boilers, Room Heaters, Decorative Gas Appliances, and Unit Heaters.

Simpson Dura-Vent Type B gas vent systems may be used on other gas-burning appliances, provided the manufacturer of the appliance states in their installation instructions that Type B gas vent is acceptable. Type B gas vent is not used for Category II, III, or IV gas appliances, unless specified by appliance manufacturer.

To calculate installed length of Type B gas vent, subtract 1½" (sizes 18" to 30" subtract 1¾") from each connection of vent. Plan a minimum one-foot vertical connector rise from appliance. A 1" clearance (air space) to combustible materials must be maintained.



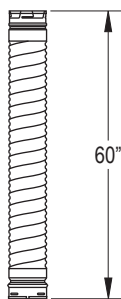
SIZE	LENGTH	STOCK #	ORDER #	O.D.
3"	6"	3GV06	40	3 <sup>5</sup> / <sub>8</sub> "
3"	12"	3GV12	30	3 <sup>5</sup> / <sub>8</sub> "
3"	18"	3GV18	20	3 <sup>5</sup> / <sub>8</sub> "
3"	24"	3GV24	385	3 <sup>5</sup> / <sub>8</sub> "
3"	36"	3GV36	10	3 <sup>5</sup> / <sub>8</sub> "
3"	48"	3GV48	400	3 <sup>5</sup> / <sub>8</sub> "
3"	60"	3GV60	1	3 <sup>5</sup> / <sub>8</sub> "
4"	6"	4GV06	41	4 <sup>5</sup> / <sub>8</sub> "
4"	12"	4GV12	31	4 <sup>5</sup> / <sub>8</sub> "
4"	18"	4GV18	21	4 <sup>5</sup> / <sub>8</sub> "
4"	24"	4GV24	386	4 <sup>5</sup> / <sub>8</sub> "
4"	36"	4GV36	11	4 <sup>5</sup> / <sub>8</sub> "
4"	48"	4GV48	401	4 <sup>5</sup> / <sub>8</sub> "
4"	60"	4GV60	2	4 <sup>5</sup> / <sub>8</sub> "
5"	6"	5GV06	42	5 <sup>5</sup> / <sub>8</sub> "
5"	12"	5GV12	32	5 <sup>5</sup> / <sub>8</sub> "
5"	18"	5GV18	22	5 <sup>5</sup> / <sub>8</sub> "
5"	24"	5GV24	387	5 <sup>5</sup> / <sub>8</sub> "
5"	36"	5GV36	12	5 <sup>5</sup> / <sub>8</sub> "
5"	48"	5GV48	402	5 <sup>5</sup> / <sub>8</sub> "
5"	60"	5GV60	3	5 <sup>5</sup> / <sub>8</sub> "

SIZE	LENGTH	STOCK #	ORDER #	O.D.
6"	6"	6GV06	43	6 <sup>5</sup> / <sub>8</sub> "
6"	12"	6GV12	33	6 <sup>5</sup> / <sub>8</sub> "
6"	18"	6GV18	23	6 <sup>5</sup> / <sub>8</sub> "
6"	24"	6GV24	388	6 <sup>5</sup> / <sub>8</sub> "
6"	36"	6GV36	13	6 <sup>5</sup> / <sub>8</sub> "
6"	48"	6GV48	403	6 <sup>5</sup> / <sub>8</sub> "
6"	60"	6GV60	4	6 <sup>5</sup> / <sub>8</sub> "
7"	6"	7GV06	44	7 <sup>5</sup> / <sub>8</sub> "
7"	12"	7GV12	34	7 <sup>5</sup> / <sub>8</sub> "
7"	18"	7GV18	24	7 <sup>5</sup> / <sub>8</sub> "
7"	24"	7GV24	389	7 <sup>5</sup> / <sub>8</sub> "
7"	36"	7GV36	14	7 <sup>5</sup> / <sub>8</sub> "
7"	48"	7GV48	404	7 <sup>5</sup> / <sub>8</sub> "
7"	60"	7GV60	5	7 <sup>5</sup> / <sub>8</sub> "
8"	12"	8GV12	35	8 <sup>5</sup> / <sub>8</sub> "
8"	18"	8GV18	25	8 <sup>5</sup> / <sub>8</sub> "
8"	24"	8GV24	390	8 <sup>5</sup> / <sub>8</sub> "
8"	36"	8GV36	15	8 <sup>5</sup> / <sub>8</sub> "
8"	48"	8GV48	405	8 <sup>5</sup> / <sub>8</sub> "
8"	60"	8GV60	6	8 <sup>5</sup> / <sub>8</sub> "
10"	18"	10GV18	2426	10 <sup>5</sup> / <sub>8</sub> "
10"	36"	10GV36	2516	10 <sup>5</sup> / <sub>8</sub> "
12"	18"	12GV18	2457	13"
12"	36"	12GV36	2517	13"
14"	18"	14GV18	2520	15"
14"	36"	14GV36	2500	15"
16"	18"	16GV18	2521	17"
16"	36"	16GV36	2501	17"
18"	18"	18GV18	2522	20"
18"	36"	18GV36	2502	20"
20"	18"	20GV18	2523	22"
20"	36"	20GV36	2503	22"
22"	18"	22GV18	2524	24"
22"	36"	22GV36	2504	24"
24"	18"	24GV18	2525	26"
24"	36"	24GV36	2505	26"
26"	18"	26GV18	2526	28"
26"	36"	26GV36	2506	28"
28"	18"	28GV18	2527	30"
28"	36"	28GV36	2507	30"
30"	18"	30GV18	2528	32"
30"	36"	30GV36	2508	32"

# ROUND TYPE B GAS VENT

## FLEX LENGTH PIPE

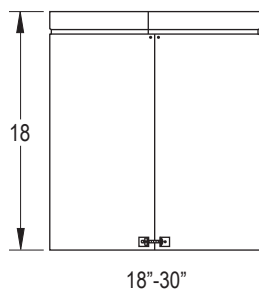
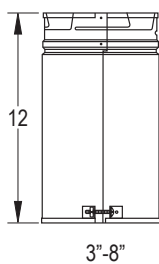
Use Flex Length Pipe for offsets when relining masonry with Simpson Dura-Vent Type B gas vent. Add  $\frac{5}{8}$ " for OD.



SIZE	LENGTH	STOCK #	ORDER #
4"	5'	4GV60F	2F
5"	5'	5GV60F	3F
6"	5'	6GV60F	4F

## ADJUSTABLE LENGTH PIPE

Use Adjustable Length Pipe in conjunction with existing Type B gas vent pipe lengths. The 12" Adjustable Length adds 3' to 10". The 18" Adjustable Length adds 10" to 16". Requires a 2" overlap.



SIZE	LENGTH	STOCK #	ORDER #
3"	3" - 10"	3GV12A	50
4"	3" - 10"	4GV12A	51
5"	3" - 10"	5GV12A	52
6"	3" - 10"	6GV12A	53
7"	3" - 10"	7GV12A	54
8"	3" - 10"	8GV12A	55
10"	3" - 10"	10GV12A	2456
12"	3" - 10"	12GV12A	2427
14"	3" - 10"	14GV18A	2670
16"	3" - 10"	16GV18A	2671
18"	10" - 16"	18GV18A	2672
20"	10" - 16"	20GV18A	2673
22"	10" - 16"	22GV18A	2674
24"	10" - 16"	24GV18A	2675
26"	10" - 16"	26GV18A	2676
28"	10" - 16"	28GV18A	2677
30"	10" - 16"	30GV18A	2678



# ROUND TYPE B GAS VENT

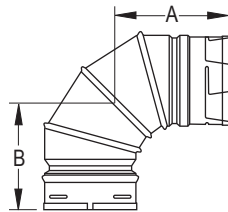
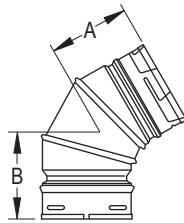
## 90° AND 45°/60° ADJUSTABLE ELBOW

Use Elbow to provide offset around obstructions such as rafters, ridgepoles, or joists.

90° Elbow is adjustable from 0° to 90° in sizes 3" to 10".  
Wall straps are required.

45°/60° Elbow is adjustable from 0° to 60° in size 3" to 8".  
Wall straps are required.

3" to 8" feature swivel base.



SIZE	STOCK #	ORDER #	A	B
90° ADJUSTABLE ELBOW				
3"	3GVL90	60	5½"	3½"
4"	4GVL90	61	6"	6"
5"	5GVL90	62	6½"	6½"
6"	6GVL90	63	6⅞"	6⅞"
7"	7GVL90	64	8½"	8⅞"
8"	8GVL90	65	8⅞"	8⅞"
10"	10GVL90	2466	9⅝"	9⅝"
45°/60° ADJUSTABLE ELBOW				
3"	3GVL45	70	4¼"	4"
4"	4GVL45	71	4½"	4½"
5"	5GVL45	72	4½"	4½"
6"	6GVL45	73	5"	5"
7"	7GVL45	74	6½"	6¼"
8"	8GVL45	75	6½"	6½"



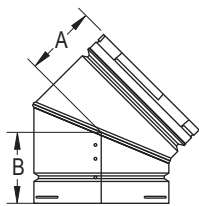
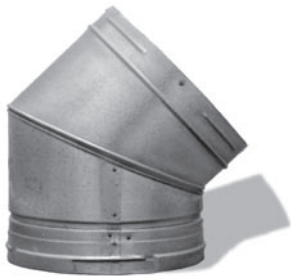
## 360° SWIVELS

*Elbows, Wye's, and Tees swivel 360° for perfect installation alignment every time!*

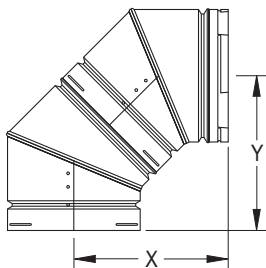
# ROUND TYPE B GAS VENT

## 45° ELBOW

45° Elbow in size 10" to 30". Elbows up to 12" are adjustable. Sizes 14" and larger are not adjustable. Elbows must be supported when installed.



90° offset using two 45° Elbows

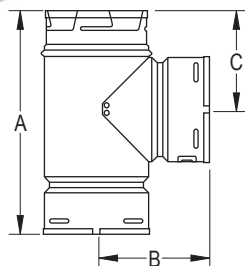


SIZE	STOCK #	ORDER #	A	B	X	Y
10"	10GVL45	2476	5 <sup>3</sup> / <sub>4</sub> "	5 <sup>3</sup> / <sub>4</sub> "	--	--
12"	12GVL45	2477	6 <sup>1</sup> / <sub>8</sub> "	6 <sup>1</sup> / <sub>4</sub> "	13 <sup>7</sup> / <sub>8</sub> "	14"
14"	14GVL45	2550	6 <sup>1</sup> / <sub>2</sub> "	6 <sup>7</sup> / <sub>8</sub> "	14 <sup>7</sup> / <sub>8</sub> "	15 <sup>1</sup> / <sub>4</sub> "
16"	16GVL45	2551	7 <sup>1</sup> / <sub>4</sub> "	7 <sup>1</sup> / <sub>4</sub> "	16 <sup>1</sup> / <sub>2</sub> "	16 <sup>1</sup> / <sub>2</sub> "
18"	18GVL45	2552	8 <sup>1</sup> / <sub>4</sub> "	10"	20 <sup>3</sup> / <sub>8</sub> "	21 <sup>5</sup> / <sub>8</sub> "
20"	20GVL45	2553	8 <sup>3</sup> / <sub>8</sub> "	9 <sup>7</sup> / <sub>8</sub> "	20 <sup>1</sup> / <sub>4</sub> "	21 <sup>3</sup> / <sub>4</sub> "
22"	22GVL45	2554	8 <sup>1</sup> / <sub>2</sub> "	9 <sup>3</sup> / <sub>4</sub> "	20 <sup>3</sup> / <sub>8</sub> "	21 <sup>5</sup> / <sub>8</sub> "
24"	24GVL45	2555	8 <sup>5</sup> / <sub>8</sub> "	9 <sup>3</sup> / <sub>4</sub> "	21"	21 <sup>7</sup> / <sub>8</sub> "
26"	26GVL45	2556	9"	10 <sup>1</sup> / <sub>4</sub> "	21 <sup>1</sup> / <sub>2</sub> "	22 <sup>3</sup> / <sub>4</sub> "
28"	28GVL45	2557	9"	10 <sup>1</sup> / <sub>4</sub> "	21 <sup>1</sup> / <sub>2</sub> "	22 <sup>3</sup> / <sub>4</sub> "
30"	30GVL45	2558	9 <sup>1</sup> / <sub>2</sub> "	10 <sup>3</sup> / <sub>4</sub> "	23 <sup>3</sup> / <sub>4</sub> "	24"

## STANDARD TEE

Use Standard Tee to combine connectors from two or more appliances into a common vent.

3" to 8" feature swivel on male end.

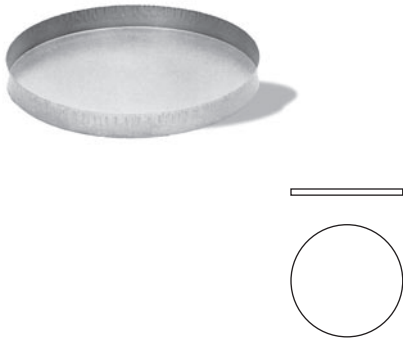


SIZE	STOCK #	ORDER #	A	B	C
3"	3GVT	80	9 <sup>1</sup> / <sub>4</sub> "	4 <sup>1</sup> / <sub>2</sub> "	4 <sup>5</sup> / <sub>8</sub> "
4"	4GVT	81	10 <sup>1</sup> / <sub>4</sub> "	4 <sup>7</sup> / <sub>8</sub> "	5 <sup>1</sup> / <sub>8</sub> "
5"	5GVT	82	11"	5 <sup>5</sup> / <sub>8</sub> "	5 <sup>1</sup> / <sub>2</sub> "
6"	6GVT	83	12 <sup>1</sup> / <sub>4</sub> "	5 <sup>7</sup> / <sub>8</sub> "	6 <sup>1</sup> / <sub>8</sub> "
7"	7GVT	84	13 <sup>1</sup> / <sub>4</sub> "	6 <sup>3</sup> / <sub>4</sub> "	6 <sup>5</sup> / <sub>8</sub> "
8"	8GVT	85	14 <sup>1</sup> / <sub>2</sub> "	7 <sup>3</sup> / <sub>8</sub> "	7 <sup>1</sup> / <sub>4</sub> "
10"	10GVT	2586	17 <sup>1</sup> / <sub>8</sub> "	8 <sup>1</sup> / <sub>2</sub> "	8 <sup>1</sup> / <sub>2</sub> "
12"	12GVT	2587	19 <sup>3</sup> / <sub>4</sub> "	10"	9 <sup>3</sup> / <sub>8</sub> "
14"	14GVT	2540	20 <sup>7</sup> / <sub>8</sub> "	11"	10 <sup>1</sup> / <sub>2</sub> "
16"	16GVT	2541	25"	12 <sup>1</sup> / <sub>2</sub> "	12 <sup>1</sup> / <sub>2</sub> "
18"	18GVT	2542	29"	15"	15"
20"	20GVT	2543	32"	16"	16"
22"	22GVT	2544	33"	17"	17"
24"	24GVT	2545	35"	18"	18"
26"	26GVT	2546	35 <sup>1</sup> / <sub>2</sub> "	18 <sup>1</sup> / <sub>2</sub> "	17 <sup>3</sup> / <sub>4</sub> "
28"	28GVT	2547	36"	19"	18 <sup>1</sup> / <sub>2</sub> "
30"	30GVT	2548	41 <sup>1</sup> / <sub>2</sub> "	20 <sup>1</sup> / <sub>2</sub> "	20 <sup>3</sup> / <sub>4</sub> "

# ROUND TYPE B GAS VENT

## TEE CAP

Use to cap Type B gas vent Tee. Remove Tee Cap to inspect the system, or to clean out debris or collected condensate from the common vent.

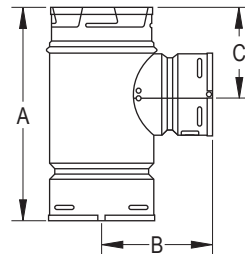


SIZE	STOCK #	ORDER #
3"	3GVTC	90
4"	4GVTC	91
5"	5GVTC	92
6"	6GVTC	93
7"	7GVTC	94
8"	8GVTC	95
10"	10GVTC	2596
12"	12GVTC	2597
14"	14GVTC	2690
16"	16GVTC	2691
18"	18GVTC	2692
20"	20GVTC	2693
22"	22GVTC	2694
24"	24GVTC	2695
26"	26GVTC	2696
28"	28GVTC	2697
30"	30GVTC	2698

## INCREASER TEE

Use to combine connectors from two or more appliances. Swivel on male end. Additional sizes available through special order.

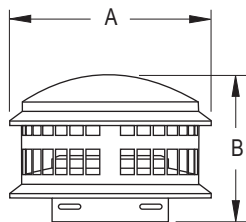
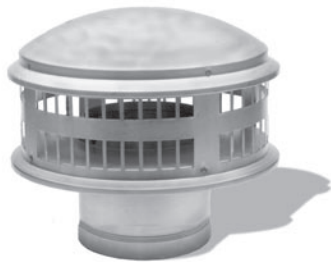
SIZE	STOCK #	ORDER #	A	B	C
4" x 3"	4GVTR3	81T3	9 <sup>1</sup> / <sub>8</sub> "	5 <sup>1</sup> / <sub>4</sub> "	4 <sup>5</sup> / <sub>8</sub> "
5" x 4"	5GVTR4	82T4	10"	5 <sup>3</sup> / <sub>4</sub> "	5"
5" x 3"	5GVTR3	82T3	9 <sup>1</sup> / <sub>8</sub> "	5 <sup>1</sup> / <sub>2</sub> "	4 <sup>5</sup> / <sub>8</sub> "
6" x 4"	6GVTR4	83T4	9 <sup>1</sup> / <sub>8</sub> "	6 <sup>1</sup> / <sub>2</sub> "	5 <sup>1</sup> / <sub>2</sub> "
6" x 3"	6GVTR3	83T3	9 <sup>1</sup> / <sub>8</sub> "	6 <sup>1</sup> / <sub>2</sub> "	4 <sup>5</sup> / <sub>8</sub> "



# ROUND TYPE B GAS VENT

## DURACAP VENT CAP

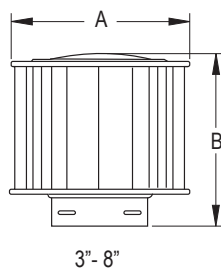
Use to prevent rain and debris from entering the vent. Available in sizes 3" to 8".



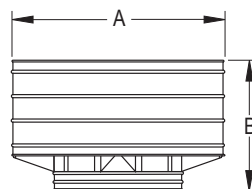
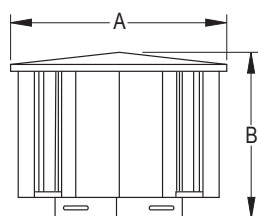
SIZE	STOCK #	ORDER #	A	B
3"	3GVDC	630	8"	5 $\frac{3}{4}$ "
4"	4GVDC	631	8"	5 $\frac{3}{4}$ "
5"	5GVDC	632	11"	7 $\frac{1}{4}$ "
6"	6GVDC	633	11"	7 $\frac{1}{4}$ "
7"	7GVDC	634	15"	8"
8"	8GVDC	635	15"	8"

## HIGH-WIND VENT CAP

Use to prevent rain and debris from entering the vent under high-wind conditions. Available in sizes 3" to 30".



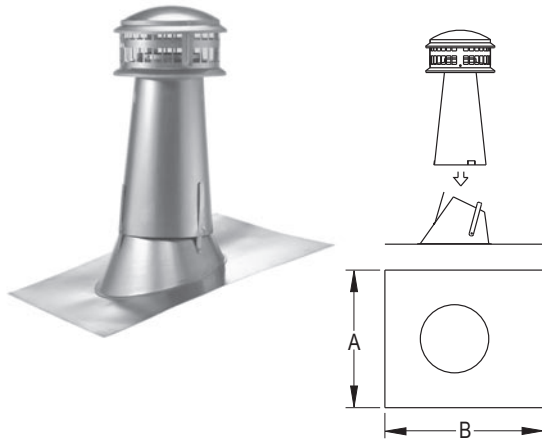
SIZE	STOCK #	ORDER #	A	B
3"	3GVVTH	130	7 $\frac{1}{2}$ "	7 $\frac{1}{4}$ "
4"	4GVVTH	131	8 $\frac{1}{2}$ "	8 $\frac{1}{4}$ "
5"	5GVVTH	132	9 $\frac{1}{2}$ "	9 $\frac{3}{8}$ "
6"	6GVVTH	133	10 $\frac{1}{2}$ "	9 $\frac{1}{4}$ "
7"	7GVVTH	134	11 $\frac{1}{2}$ "	11 $\frac{1}{4}$ "
8"	8GVVTH	135	12 $\frac{1}{2}$ "	12 $\frac{3}{4}$ "
10"	10VVTH	2536	17 $\frac{1}{2}$ "	16"
12"	12VVTH	2537	19 $\frac{1}{4}$ "	18 $\frac{3}{4}$ "
14"	14VVTH	2560	24"	17 $\frac{1}{2}$ "
16"	16VVTH	2561	26"	19 $\frac{1}{2}$ "
18"	18VVTH	2562	30"	21 $\frac{1}{2}$ "
20"	20VVTH	2563	34"	23 $\frac{1}{2}$ "
22"	22VVTH	2564	36"	25 $\frac{1}{2}$ "
24"	24VVTH	2565	39"	27 $\frac{1}{2}$ "
26"	26VVTH	2566	44"	29 $\frac{1}{2}$ "
28"	28VVTH	2567	48"	31 $\frac{1}{2}$ "
30"	30VVTH	2568	50"	33 $\frac{1}{2}$ "



# ROUND TYPE B GAS VENT

## COMBO CAP

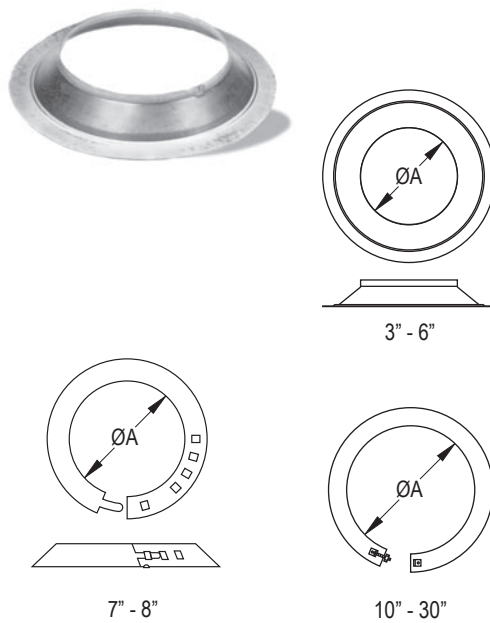
Fits roof pitch 0/12 to 6/12. Two-piece component is easy to install and lightweight. UL Listed.



SIZE	STOCK #	ORDER #	A	B
3"	3GVWF	360	16"	18 <sup>3</sup> / <sub>8</sub> "
4"	4GVWF	361	17"	18 <sup>3</sup> / <sub>8</sub> "
5"	5GVWF	362	18 <sup>1</sup> / <sub>4</sub> "	20"
6"	6GVWF	363	19 <sup>1</sup> / <sub>4</sub> "	21 <sup>1</sup> / <sub>2</sub> "

## STORM COLLAR

Use in combination with flashing, to ensure watertight installation. Seals around pipe above the flashing.

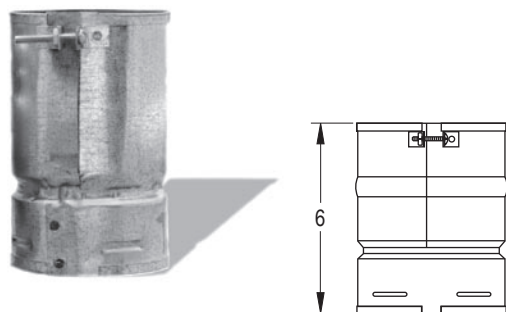


SIZE	STOCK #	ORDER #	A
3"	3GVSC	150	3 <sup>5</sup> / <sub>8</sub> "
4"	4GVSC	151	4 <sup>5</sup> / <sub>8</sub> "
5"	5GVSC	152	5 <sup>5</sup> / <sub>8</sub> "
6"	6GVSC	153	6 <sup>5</sup> / <sub>8</sub> "
7"	7GVSC	154	7 <sup>5</sup> / <sub>8</sub> "
8"	8GVSC	155	8 <sup>5</sup> / <sub>8</sub> "
10"	10GVSC	2656	11"
12"	12GVSC	2657	13"
14"	14GVSC	2570	16"
16"	16GVSC	2571	18"
18"	18GVSC	2572	20"
20"	20GVSC	2573	22"
22"	22GVSC	2574	24"
24"	24GVSC	2575	26"
26"	26GVSC	2576	28"
28"	28GVSC	2577	30"
30"	30GVSC	5878	32"

# ROUND TYPE B GAS VENT

## FEMALE ADAPTER

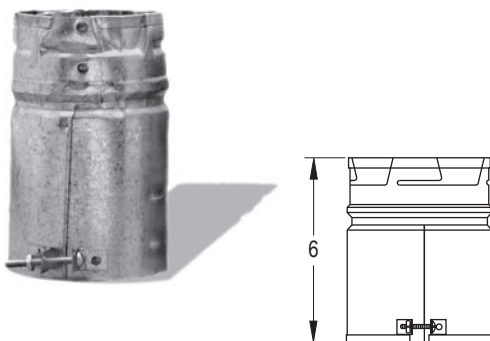
Use to connect Simpson Dura-Vent Type B gas vent products to an existing listed Type B gas vent system manufactured by other companies.



SIZE	STOCK #	ORDER #
3"	3GVAF	496
4"	4GVAF	497
5"	5GVAF	498
6"	6GVAF	499
7"	7GVAF	488
8"	8GVAF	495

## MALE ADAPTER

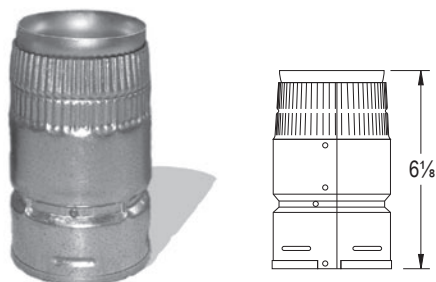
Use to connect Simpson Dura-Vent Type B gas vent products to an existing listed Type B gas vent system manufactured by other companies. Male adapter can also be used to attach to DuraFlex AL.



SIZE	STOCK #	ORDER #
3"	3GVAM	490
4"	4GVAM	491
5"	5GVAM	492
6"	6GVAM	493
7"	7GVAM	487
8"	8GVAM	494

## H/C ADAPTER

Use to connect Simpson Dura-Vent Type B gas vent products to an existing listed Type B gas vent system, manufactured by other companies, using locking ring system.

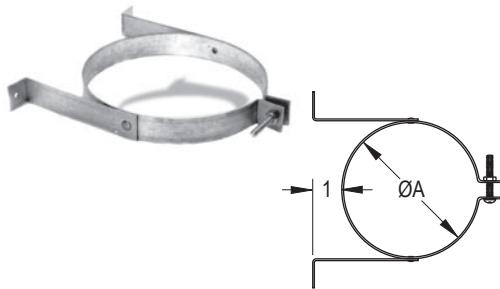


SIZE	ORDER #
3"	496H
4"	497H
5"	498H
6"	499H

# ROUND TYPE B GAS VENT

## WALL STRAP

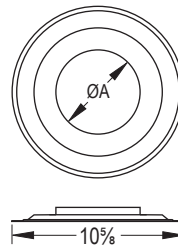
Use to provide support for offsets and horizontal runs. Position every 4' to support vertical common vent. Use also with DuraConnect or DuraConnect II. 10" Type B gas vent (11" OD) uses a 7" DuraPlus Chimney Wall Strap.



SIZE	STOCK #	ORDER #	A
3"	3GVWS	1485	3 <sup>5</sup> / <sub>8</sub> "
4"	4GVWS	1486	4 <sup>5</sup> / <sub>8</sub> "
5"	5GVWS	1487	5 <sup>5</sup> / <sub>8</sub> "
6"	6GVWS	1488	6 <sup>5</sup> / <sub>8</sub> "
7"	7GVWS	1489	7 <sup>5</sup> / <sub>8</sub> "
8"	8GVWS	1490	8 <sup>5</sup> / <sub>8</sub> "
10"	--	9168	10 <sup>5</sup> / <sub>8</sub> "

## PIPE COLLAR

Pipe Collar is optional, for decorative purposes.



SIZE	STOCK #	ORDER #	A
3"	3GVPC	170	3 <sup>3</sup> / <sub>4</sub> "
4"	4GVPC	171	4 <sup>3</sup> / <sub>4</sub> "
5"	5GVPC	172	5 <sup>3</sup> / <sub>4</sub> "
6"	6GVPC	173	6 <sup>3</sup> / <sub>4</sub> "

## ROOF TOP TERMINATION KIT

Kit contains: High-Wind Vent Cap, Storm Collar, Adjustable Roof Flashing, 12" Adjustable Length, and Draft Hood Connector.

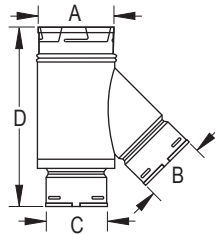


SIZE	STOCK #	ORDER #
3"	3GVK	470
4"	4GVK	471

# ROUND TYPE B GAS VENT

## DOUBLE-WALL WYE WITH 45° BRANCH

Use to combine connectors from two or more appliances into a common vent. Swivel on male end. Additional sizes available through special order.

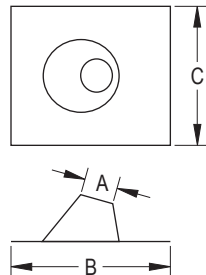
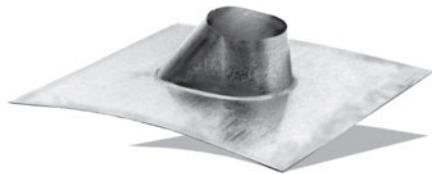


SIZE	STOCK #	ORDER #	A	B	C	D
4" x 4" x 3"	4GVY43	425	4 <sup>5</sup> / <sub>8</sub> "	4 <sup>5</sup> / <sub>8</sub> "	3 <sup>5</sup> / <sub>8</sub> "	12 <sup>1</sup> / <sub>4</sub> "
4" x 4" x 4"	4GVY44	426	4 <sup>5</sup> / <sub>8</sub> "	4 <sup>5</sup> / <sub>8</sub> "	4 <sup>5</sup> / <sub>8</sub> "	13 <sup>1</sup> / <sub>4</sub> "
4" x 3" x 4"	4GVY34	427	4 <sup>5</sup> / <sub>8</sub> "	3 <sup>5</sup> / <sub>8</sub> "	4 <sup>5</sup> / <sub>8</sub> "	13 <sup>1</sup> / <sub>4</sub> "
5" x 3" x 4"	5GVY34	430	5 <sup>5</sup> / <sub>8</sub> "	3 <sup>5</sup> / <sub>8</sub> "	4 <sup>5</sup> / <sub>8</sub> "	12 <sup>1</sup> / <sub>4</sub> "
5" x 4" x 4"	5GVY44	431	5 <sup>5</sup> / <sub>8</sub> "	4 <sup>5</sup> / <sub>8</sub> "	4 <sup>5</sup> / <sub>8</sub> "	13 <sup>1</sup> / <sub>4</sub> "
5" x 4" x 5"	5GVY45	432	5 <sup>5</sup> / <sub>8</sub> "	4 <sup>5</sup> / <sub>8</sub> "	5 <sup>5</sup> / <sub>8</sub> "	12"
6" x 3" x 4"	6GVY34	440	6 <sup>5</sup> / <sub>8</sub> "	3 <sup>5</sup> / <sub>8</sub> "	4 <sup>5</sup> / <sub>8</sub> "	12 <sup>1</sup> / <sub>4</sub> "
6" x 4" x 3"	6GVY43	441	6 <sup>5</sup> / <sub>8</sub> "	4 <sup>5</sup> / <sub>8</sub> "	3 <sup>5</sup> / <sub>8</sub> "	12 <sup>1</sup> / <sub>4</sub> "
6" x 4" x 4"	6GVY44	442	6 <sup>5</sup> / <sub>8</sub> "	4 <sup>5</sup> / <sub>8</sub> "	4 <sup>5</sup> / <sub>8</sub> "	13 <sup>1</sup> / <sub>4</sub> "
6" x 4" x 5"	6GVY45	443	6 <sup>5</sup> / <sub>8</sub> "	4 <sup>5</sup> / <sub>8</sub> "	5 <sup>5</sup> / <sub>8</sub> "	13 <sup>1</sup> / <sub>4</sub> "
6" x 3" x 5"	6GVY35	445	6 <sup>5</sup> / <sub>8</sub> "	3 <sup>5</sup> / <sub>8</sub> "	5 <sup>5</sup> / <sub>8</sub> "	13 <sup>1</sup> / <sub>4</sub> "
6" x 4" x 6"	6GVY46	446	6 <sup>5</sup> / <sub>8</sub> "	4 <sup>5</sup> / <sub>8</sub> "	6 <sup>5</sup> / <sub>8</sub> "	13 <sup>1</sup> / <sub>4</sub> "
7" x 3" x 5"	7GVY35	450	7 <sup>5</sup> / <sub>8</sub> "	3 <sup>5</sup> / <sub>8</sub> "	5 <sup>5</sup> / <sub>8</sub> "	13 <sup>1</sup> / <sub>4</sub> "

## ADJUSTABLE ROOF FLASHING

Accommodates roof pitches from 0/12 to 6/12.

Use DSA (Dead Soft Aluminum) Flashing for metal or tile roof installations.



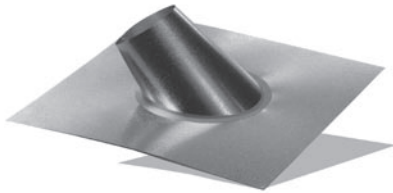
SIZE	STOCK #	ORDER #	A	B	C
ADJUSTABLE FLASHING					
3"	3GVF	140	3 <sup>5</sup> / <sub>8</sub> "	18 <sup>3</sup> / <sub>8</sub> "	16"
4"	4GVF	141	4 <sup>5</sup> / <sub>8</sub> "	18 <sup>3</sup> / <sub>8</sub> "	17"
5"	5GVF	142	5 <sup>5</sup> / <sub>8</sub> "	20"	18 <sup>3</sup> / <sub>8</sub> "
6"	6GVF	143	6 <sup>3</sup> / <sub>4</sub> "	21 <sup>1</sup> / <sub>2</sub> "	19 <sup>1</sup> / <sub>4</sub> "
7"	7GVF	144	7 <sup>3</sup> / <sub>4</sub> "	22 <sup>1</sup> / <sub>2</sub> "	21 <sup>1</sup> / <sub>2</sub> "
8"	8GVF	145	8 <sup>3</sup> / <sub>4</sub> "	23 <sup>1</sup> / <sub>2</sub> "	21 <sup>1</sup> / <sub>2</sub> "
10"	10VF	2646	11 <sup>3</sup> / <sub>8</sub> "	24"	24"
12"	12VF	2647	13 <sup>1</sup> / <sub>2</sub> "	24"	24"
14"	14VF	2580	15"	31 <sup>1</sup> / <sub>2</sub> "	29 <sup>1</sup> / <sub>2</sub> "
16"	16VF	2581	17"	36"	33 <sup>1</sup> / <sub>2</sub> "
18"	18VF	2582	20"	43"	40"
20"	20VF	2583	22"	43"	40"
22"	22VF	2584	24"	45"	41 <sup>1</sup> / <sub>2</sub> "
24"	24VF	2585	26"	45"	44 <sup>3</sup> / <sub>4</sub> "
26"	26VF	2586	28"	44 <sup>3</sup> / <sub>4</sub> "	44 <sup>3</sup> / <sub>4</sub> "
28"	28VF	2587	30"	50"	50"
30"	30VF	2588	32"	52"	52"
DSA FLASHING					
3"	3GVFDSA	140DS	3 <sup>5</sup> / <sub>8</sub> "	18 <sup>3</sup> / <sub>8</sub> "	16"
4"	4GVFDSA	141DS	4 <sup>5</sup> / <sub>8</sub> "	18 <sup>3</sup> / <sub>8</sub> "	17"
5"	5GVFDSA	142DS	5 <sup>5</sup> / <sub>8</sub> "	20"	18 <sup>3</sup> / <sub>8</sub> "
6"	6GVFDSA	143DS	6 <sup>3</sup> / <sub>4</sub> "	21 <sup>1</sup> / <sub>2</sub> "	19 <sup>1</sup> / <sub>4</sub> "



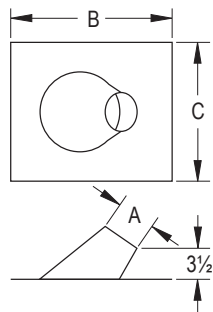
# ROUND TYPE B GAS VENT

## STEEP ROOF FLASHING

Accommodates 7/12 to 12/12 roof pitches.

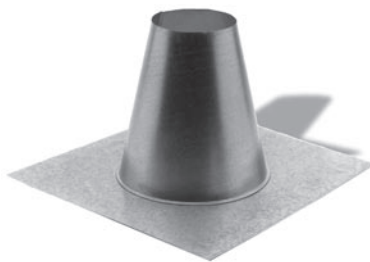


SIZE	STOCK #	ORDER #	A	B	C
3"	3GVFSR	140S	3 <sup>3</sup> / <sub>4</sub> "	16"	18"
4"	4GVFSR	141S	4 <sup>3</sup> / <sub>4</sub> "	17"	20"
5"	5GVFSR	142S	5 <sup>3</sup> / <sub>4</sub> "	18"	21 <sup>3</sup> / <sub>4</sub> "
6"	6GVFSR	143S	6 <sup>3</sup> / <sub>4</sub> "	19 <sup>1</sup> / <sub>2</sub> "	23 <sup>3</sup> / <sub>4</sub> "
7"	7GVFSR	144S	7 <sup>3</sup> / <sub>4</sub> "	20 <sup>1</sup> / <sub>2</sub> "	24"
8"	8GVFSR	145S	8 <sup>3</sup> / <sub>4</sub> "	21"	25 <sup>1</sup> / <sub>2</sub> "

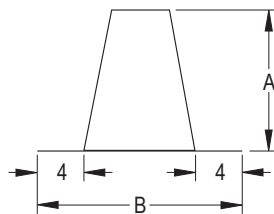


## TALL CONE FLAT FLASHING

Use for flat roof.



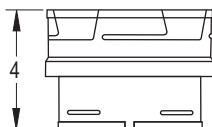
SIZE	STOCK #	ORDER #	A	B
3"	3GVFF	140F	12"	16"
4"	4GVFF	141F	12"	17"
5"	5GVFF	142F	11"	18 <sup>1</sup> / <sub>4</sub> "
6"	6GVFF	143F	11"	18 <sup>1</sup> / <sub>4</sub> "
7"	7GVFF	144F	11"	21 <sup>1</sup> / <sub>2</sub> "
8"	8GVFF	145F	11"	21 <sup>1</sup> / <sub>2</sub> "
10"	10GVFF	2646F	11"	25 <sup>1</sup> / <sub>2</sub> "
12"	12GVFF	2647F	11 <sup>1</sup> / <sub>2</sub> "	29 <sup>1</sup> / <sub>2</sub> "
14"	14GVFF	2580F	11 <sup>1</sup> / <sub>2</sub> "	32"
16"	16GVFF	2581F	11 <sup>1</sup> / <sub>2</sub> "	36"
18"	18GVFF	2582F	11 <sup>1</sup> / <sub>2</sub> "	36"
20"	20GVFF	2583F	11 <sup>1</sup> / <sub>2</sub> "	38"
22"	22GVFF	2584F	11 <sup>1</sup> / <sub>2</sub> "	40"
24"	24GVFF	2585F	11 <sup>1</sup> / <sub>2</sub> "	44 <sup>3</sup> / <sub>4</sub> "
26"	26GVFF	2686F	11 <sup>1</sup> / <sub>2</sub> "	44 <sup>3</sup> / <sub>4</sub> "
28"	28GVFF	2687F	11 <sup>1</sup> / <sub>2</sub> "	48"
30"	30GVFF	2688F	11 <sup>1</sup> / <sub>2</sub> "	48"



# ROUND TYPE B GAS VENT

## INCREASER

Use to increase vent diameter. Additional sizes available through special order.

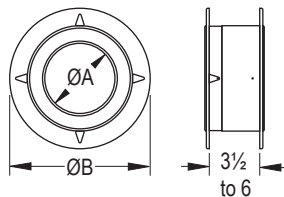


SIZE	STOCK #	ORDER #
3" x 4"	3GVX4	100S
3" x 5"	3GVX5	101S
3" x 6"	3GVX6	102S
3" x 7"	3GVX7	112S
4" x 5"	4GVX5	103S
4" x 6"	4GVX6	104S
4" x 7"	4GVX7	113S
4" x 8"	4GVX8	116S
5" x 6"	5GVX6	105S
5" x 7"	5GVX7	115S
5" x 8"	5GVX8	117S
6" x 7"	6GVX7	106S
6" x 8"	6GVX8	107S

SIZE	STOCK #	ORDER #
7" x 8"	7GVX8	108S
** x 10"	8GVX10	2409
** x 12"	10GVX12	2511
** x 14"	**GVX14	2509
** x 16"	**GVX16	2519
** x 18"	**GVX18	2529
** x 20"	**GVX20	2539
** x 22"	**GVX22	2549
** x 24"	**GVX24	2559
** x 26"	**GVX26	2569
** x 28"	**GVX28	2579
** x 30"	**GVX30	2589

## WALL THIMBLE

Use for through the wall system to provide clearances for vent from combustibles. Adjusts from 3½" to 6" to accommodate various wall thicknesses.

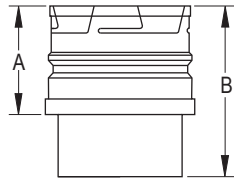


SIZE	STOCK #	ORDER #	A	B
3"	3GVWT	160	3¾"	7½"
4"	4GVWT	161	4¾"	8½"
5"	5GVWT	162	5¾"	9½"
6"	6GVWT	163	6¾"	10½"
7"	7GVWT	164	7¾"	11½"
8"	8GVWT	165	8¾"	12½"

# ROUND TYPE B GAS VENT

## DRAFT HOOD CONNECTOR

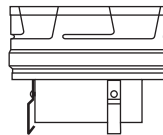
Use to connect appliance to vent system.



SIZE	STOCK #	ORDER #	A	B
3"	3GVC	120	4½"	3"
4"	4GVC	121	4½"	4"
5"	5GVC	122	4½"	5"
6"	6GVC	123	4½"	6"
7"	7GVC	124	7"	7"
8"	8GVC	125	7"	8"
10"	10GVC	126	7"	10"
12"	12GVC	127	7"	12"
14"	14GVC	190	10"	14"
16"	16GVC	191	10"	16"
18"	18GVC	192	12"	18"
20"	20GVC	193	12"	20"
22"	22GVC	194	14"	22"
24"	24GVC	195	14"	24"
26"	26GVC	269	16½"	26"
28"	28GVC	279	16½"	28"
30"	30GVC	289	16½"	30"

## R/R DOUBLE-WALL ADAPTER

UL approved adapter clips snugly to plastic blower housing with stainless steel clips making installation a snap! Simply twist-lock male end and quickly install Simpson Dura-Vent gas vent or DuraConnect to complete your installation.

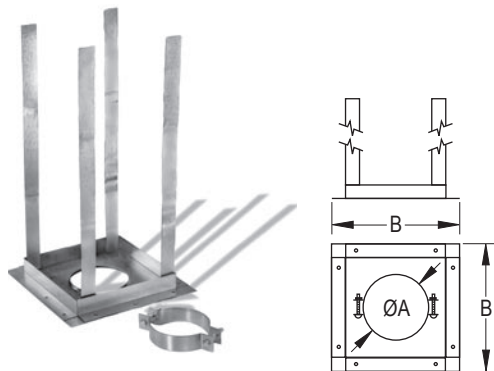


SIZE	STOCK #	ORDER #
3"	3GVRS	186C
3" - 4"	4GVRS	187C
3" - 5"	5GVRS	188C
4"	6GVRS	177C
4" - 5"	7GVRS	178C

# ROUND TYPE B GAS VENT

## SQUARE FIRESTOP SUPPORT

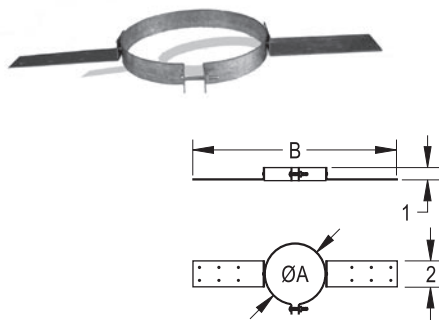
Use to support vent at ceiling level. Includes clamp that supports and prevents pipe sections from slipping down. Provides the mandatory 1" clearance to combustibles. Straps extend 16".



SIZE	STOCK #	ORDER #	A	B
3"	3GVRS	1440	3 <sup>3</sup> / <sub>4</sub> "	9 <sup>1</sup> / <sub>4</sub> "
4"	4GVRS	1441	4 <sup>3</sup> / <sub>4</sub> "	9 <sup>1</sup> / <sub>4</sub> "
5"	5GVRS	1442	5 <sup>3</sup> / <sub>4</sub> "	11"
6"	6GVRS	1443	6 <sup>3</sup> / <sub>4</sub> "	11"
7"	7GVRS	1444	7 <sup>3</sup> / <sub>4</sub> "	13"
8"	8GVRS	1445	8 <sup>7</sup> / <sub>8</sub> "	13"
10"	10GVRS	2620	11 <sup>3</sup> / <sub>8</sub> "	15"
12"	12GVRS	2622	13"	16"

## GAS VENT ROOF SUPPORT

Use to support Type B gas vent pipe at roof level when DuraConnect II is installed in attic space.

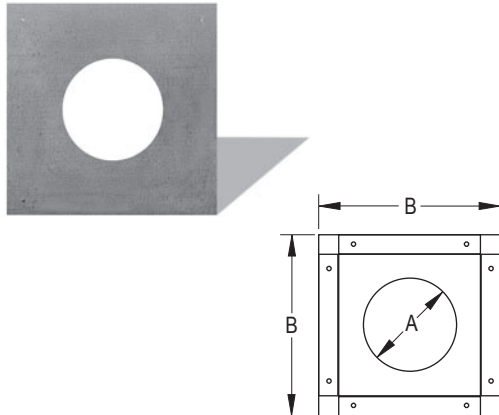


SIZE	ORDER #	STOCK #	A	B
3"	1470	3GVS	3 <sup>5</sup> / <sub>8</sub> "	14 <sup>3</sup> / <sub>4</sub> "
4"	1471	4GVS	4 <sup>5</sup> / <sub>8</sub> "	15 <sup>3</sup> / <sub>4</sub> "
5"	1472	5GVS	5 <sup>5</sup> / <sub>8</sub> "	16 <sup>3</sup> / <sub>4</sub> "
6"	1473	6GVS	6 <sup>5</sup> / <sub>8</sub> "	17 <sup>3</sup> / <sub>4</sub> "

# ROUND TYPE B GAS VENT

## FIRESTOP SPACER

Use at every floor/ceiling level where Square Firestop Support is not used.

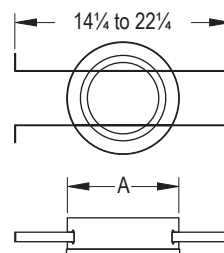


SIZE	STOCK #	ORDER #	A	B
3"	3GVFS	1460	3 <sup>3</sup> / <sub>4</sub> "	9 <sup>1</sup> / <sub>4</sub> "
4"	4GVFS	1461	4 <sup>3</sup> / <sub>4</sub> "	9 <sup>1</sup> / <sub>4</sub> "
5"	5GVFS	1462	5 <sup>3</sup> / <sub>4</sub> "	11"
6"	6GVFS	1463	6 <sup>3</sup> / <sub>4</sub> "	11"
7"	7GVFS	1464	7 <sup>3</sup> / <sub>4</sub> "	13"
8"	8GVFS	1465	8 <sup>3</sup> / <sub>4</sub> "	13"
10"	10GVFS	2621	11 <sup>1</sup> / <sub>4</sub> "	15"
12"	12GVFS	2623	13 <sup>1</sup> / <sub>8</sub> "	17 <sup>1</sup> / <sub>2</sub> "

## ROUND BUCKET SUPPORT

Use to support the Type B gas vent between 16" or 24" on center joists or rafters. Also use to transition fitting between single-wall connector and Type B gas vent pipe sections.

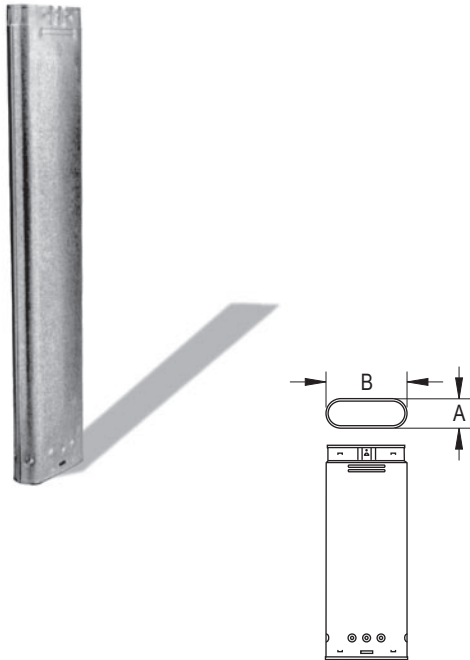
SIZE	STOCK #	ORDER #	A
3" - 4"	3GVRS4	340	7"
5" - 6"	3GVRS5	342	8"
7" - 8"	3GVRS6	344	10"



# OVAL TYPE B GAS VENT

## OVAL LENGTH PIPE

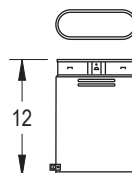
4" and 5" oval pipe is designed to be placed within 2" x 4" stud walls, while 6" may only be placed in a 2" x 6" stud space.



SIZE	LENGTH	STOCK #	ORDER #	A	B
4"	6"	4GW06	305	2½"	7¼"
4"	12"	4GW12	304	2½"	7¼"
4"	18"	4GW18	303	2½"	7¼"
4"	24"	4GW24	307	2½"	7¼"
4"	36"	4GW36	302	2½"	7¼"
4"	48"	4GW48	301	2½"	7¼"
4"	60"	4GW60	300	2½"	7¼"
5"	6"	5GW06	505	3⅞"	10⅞"
5"	12"	5GW12	504	3⅞"	10⅞"
5"	18"	5GW18	503	3⅞"	10⅞"
5"	24"	5GW24	507	3⅞"	10⅞"
5"	36"	5GW36	502	3⅞"	10⅞"
5"	48"	5GW48	501	3⅞"	10⅞"
5"	60"	5GW60	500	3⅞"	10⅞"
6"	6"	6GW06	605	3¼"	11⅞"
6"	12"	6GW12	604	3¼"	11⅞"
6"	18"	6GW18	603	3¼"	11⅞"
6"	24"	6GW24	607	3¼"	11⅞"
6"	36"	6GW36	602	3¼"	11⅞"
6"	48"	6GW48	601	3¼"	11⅞"
6"	60"	6GW60	600	3¼"	11⅞"

## OVAL ADJUSTABLE LENGTH PIPE

Use Oval Adjustable Length Pipe in conjunction with existing oval Type B gas vent pipe lengths. Oval Adjustable Length Pipe adjusts from 4" to 10". Requires a 2" overlap.

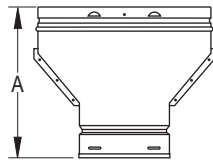


SIZE	LENGTH	STOCK #	ORDER #
4"	12"	4GW12A	306
5"	12"	5GW12A	506
6"	12"	6GW12A	606

# OVAL TYPE B GAS VENT

## ROUND TO OVAL ADAPTER

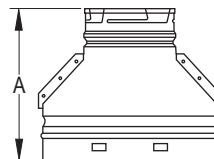
Use to convert from round vent to oval vent.



SIZE	STOCK #	ORDER #	A
3" to 4"	4GWAR3	324	9 <sup>3</sup> / <sub>8</sub> "
4"	4GWARO	315	9 <sup>3</sup> / <sub>8</sub> "
5"	5GWARO	515	9 <sup>3</sup> / <sub>8</sub> "
6"	6GWARO	615	11 <sup>1</sup> / <sub>2</sub> "

## OVAL TO ROUND ADAPTER

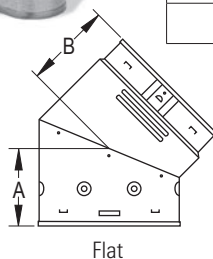
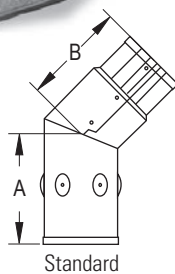
Use to convert from oval to round vent.



SIZE	STOCK #	ORDER #	A
4"	4GWAOR	314	9 <sup>3</sup> / <sub>8</sub> "
5"	5GWAOR	514	9 <sup>7</sup> / <sub>8</sub> "
6"	6GWAOR	614	10"

## STANDARD AND FLAT OVAL 45° ELBOWS

Use in pairs where offsets are desired. Add pipe sections between pairs to produce additional offset. Elbows are not adjustable.

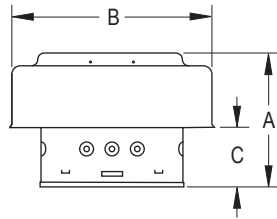


SIZE	STOCK #	ORDER #	A	B
STANDARD ELBOW				
4"	4GWL45	310	3 <sup>5</sup> / <sub>8</sub> "	3 <sup>1</sup> / <sub>2</sub> "
5"	5GWL45	510	4 <sup>1</sup> / <sub>8</sub> "	5"
6"	6GWL45	610	5"	3 <sup>1</sup> / <sub>2</sub> "
FLAT ELBOW				
4"	4GWL45F	311	4 <sup>1</sup> / <sub>2</sub> "	4 <sup>1</sup> / <sub>8</sub> "
5"	5GWL45F	511	5 <sup>1</sup> / <sub>4</sub> "	5 <sup>5</sup> / <sub>8</sub> "
6"	6GWL45F	611	5 <sup>3</sup> / <sub>4</sub> "	4 <sup>1</sup> / <sub>4</sub> "

# OVAL TYPE B GAS VENT

## OVAL VENT CAP

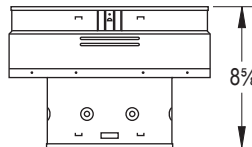
Use to prevent rain and debris from entering the oval vent.  
Available in sizes 4" to 6".



SIZE	STOCK #	ORDER #	A	B	C
4"	4GWVT	316	6 $\frac{1}{8}$ "	9 $\frac{3}{4}$ "	2 $\frac{1}{2}$ "
5"	5GWVT	516	7 $\frac{3}{4}$ "	15 $\frac{1}{4}$ "	3 $\frac{3}{8}$ "
6"	6GWVT	616	7 $\frac{5}{8}$ "	15 $\frac{1}{4}$ "	4"

## OVAL INCREASER

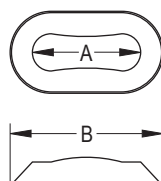
Use to increase in oval vent size.



SIZE	STOCK #	ORDER #
4" x 5"	4GWX5	419
5" x 6"	5GWX6	519
4" x 6"	4GWX6	619

## OVAL STORM COLLAR

Use in combination with flashing to ensure watertight installation. Seals around oval pipe above the flashing.



SIZE	STOCK #	ORDER #	A	B
4"	4GWSC	318	4 $\frac{1}{4}$ "	10 $\frac{1}{4}$ "
5"	5GWSC	518	10 $\frac{3}{4}$ "	13 $\frac{3}{8}$ "
6"	6GWSC	618	12"	15"

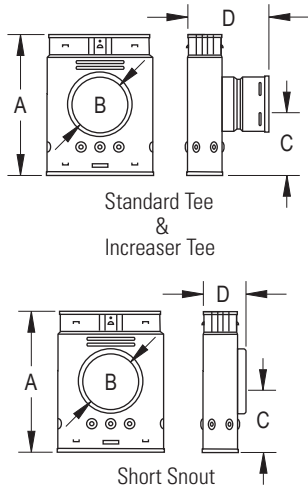


# OVAL TYPE B GAS VENT

## OVAL TEE

Standard Oval Tee branch size and oval body size are same diameter.

Increaser Oval Tee branch size is smaller than oval body size.



SIZE	STOCK #	ORDER #	A	B	C	D
STANDARD OVAL TEE						
4"	4GWT	312	10 $\frac{1}{4}$ "	4"	4"	4 $\frac{3}{4}$ "
5"	5GWT	512	11 $\frac{3}{4}$ "	5"	5 $\frac{1}{4}$ "	5 $\frac{3}{4}$ "
6"	6GWT	612	12 $\frac{1}{8}$ "	6"	6"	5 $\frac{5}{8}$ "
SHORT SNOOT TEE						
4"	4GWTST	312ST	8 $\frac{1}{2}$ "	4"	5"	3 $\frac{1}{2}$ "
OVAL INCREASER TEE						
4" x 3"	4GWTR3	331	10 $\frac{1}{8}$ "	3"	5"	5 $\frac{1}{2}$ "
5" x 3"	5GWTR3	512T3	11 $\frac{1}{8}$ "	3"	6 $\frac{1}{4}$ "	5 $\frac{1}{4}$ "
5" x 4"	5GWTR4	512T4	11 $\frac{1}{8}$ "	4"	6 $\frac{1}{4}$ "	5 $\frac{1}{4}$ "
6" x 4"	6GWTR4	612T4	12"	4"	6 $\frac{1}{4}$ "	5"
6" x 5"	6GWTR5	612T5	12"	5"	5 $\frac{5}{8}$ "	5 $\frac{1}{2}$ "

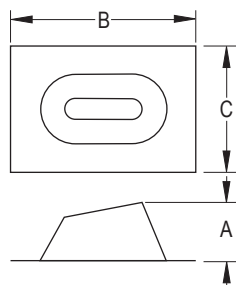
## OVAL ADJUSTABLE & OVAL DSA FLASHINGS

Use Oval Adjustable Flashing for standard roof installations. Accommodates 0/12 to 6/12 roof pitches. Oval Adjustable Flashing may be oriented in either direction.

Use Oval DSA (Dead Soft Aluminum) Flashing for metal or tile roof installations.



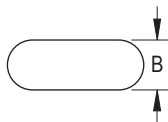
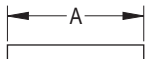
SIZE	STOCK #	ORDER #	A	B	C
OVAL ADJUSTABLE FLASHING					
4"	4GWF	317	3 $\frac{1}{2}$ "	18"	12 $\frac{1}{2}$ "
5"	5GWF	517	7 $\frac{3}{4}$ "	25 $\frac{1}{2}$ "	17 $\frac{1}{2}$ "
6"	6GWF	617	7 $\frac{1}{8}$ "	25 $\frac{1}{2}$ "	17 $\frac{1}{2}$ "
OVAL DSA FLASHING					
4"	4GWFDSA	317DS	3 $\frac{3}{4}$ "	28 $\frac{1}{2}$ "	23 $\frac{1}{2}$ "
5"	5GWFDSA	517DS	3 $\frac{1}{2}$ "	30 $\frac{1}{2}$ "	27"
6"	6GWFDSA	617DS	7"	35"	27"



# OVAL TYPE B GAS VENT

## OVAL TEE CAP

Use to close off bottom of Oval Tee.

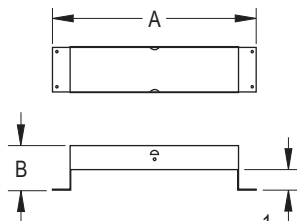


SIZE	STOCK #	ORDER #	A	B
4"	4GWTC	313	6 $\frac{7}{8}$ "	2"
5"	5GWTC	513	10 $\frac{3}{8}$ "	2 $\frac{3}{4}$ "
6"	6GWTC	613	11 $\frac{1}{2}$ "	2 $\frac{3}{4}$ "

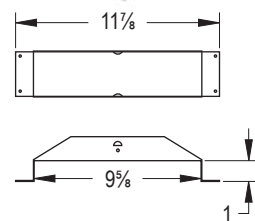
## OVAL PLAIN TEE SUPPORT

Use to support and center Oval Tee. Use with Oval Tee Cap.

SIZE	STOCK #	ORDER #	A	B
OVAL PLAIN TEE SUPPORT				
5"	5GWTS	521	13 $\frac{1}{8}$ "	2 $\frac{1}{8}$ "
6"	6GWTS	621	13 $\frac{3}{4}$ "	2 $\frac{1}{2}$ "
OVAL BASE PLATE TEE SUPPORT				
4"	4GWPS	308	9 $\frac{5}{8}$ "	11 $\frac{1}{8}$ "



Oval Plain Tee Support



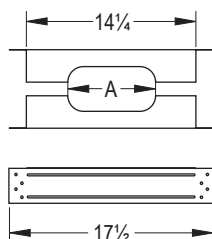
Oval Base Plate Tee Support

# OVAL TYPE B GAS VENT

## OVAL FIRESTOP SPACER

Use to center oval vent in 16" on-center stud space. Serves as a firestop at the ceiling level. Required in multi-story installations.

SIZE	STOCK #	ORDER #	A
4"	4GWFS	350	7½"
4"	4GWFS2X6	351	7½"
5"	5GWFS	522	11"
5"	5GWFS2X6	523	11"
6"	6GWFS	622	12½"

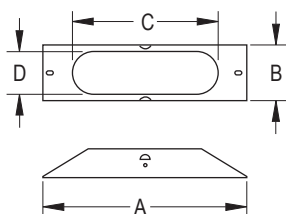


## OVAL BASE PLATE & OVAL CEILING PLATE SPACER

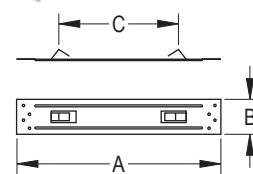
Use Oval Base Plate to attach oval vent to an appliance.

Use Oval Ceiling Plate Spacer to center the oval vent where Oval Firestop Spacer is not required.

SIZE	STOCK #	ORDER #	A	B	C	D
OVAL BASE PLATE						
4"	4GWBP	321	9⅝"	2⅝"	6⅝"	2"
OVAL CEILING PLATE SPACER						
4"	4GWCS	320	17½"	3"	7"	--
BW INSTALLATION KIT						
4"	5GWK	319	Kit includes order #'s 321 and 320			



Oval Base Plate



Oval Ceiling Plate Spacer

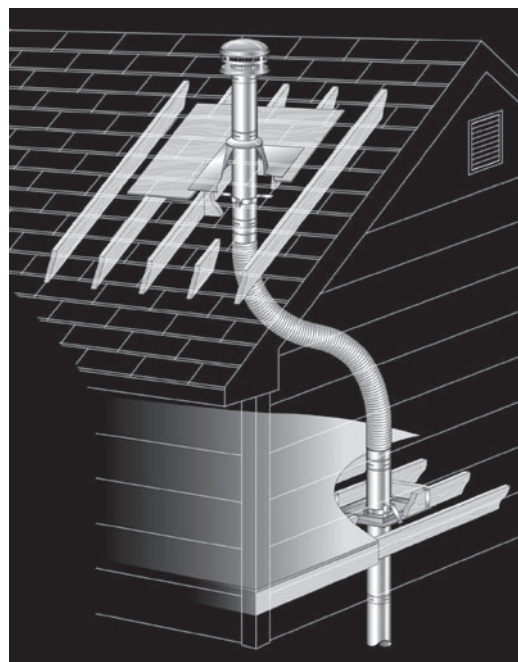
# DURACONNECT CONNECTOR SYSTEMS

## DURACONNECT II

UL approved as a Type B gas vent segment for use in attics and crawl spaces.

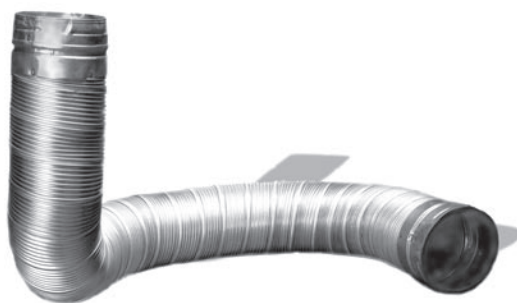
The double-wall flexible vent is now certified as having the equivalent thermal properties as Type B gas vent and can be used when a Type B gas vent double-wall connector is required. DuraConnect II has been approved by Underwriters Laboratories for use as a segment of Type B gas vent.

DuraConnect II is a connector system for installation in conditioned and unconditioned attics and crawl spaces. Simpson Dura-Vent's DuraConnect II is known as the "Contractor's Choice" for its ease of installation and durability. DuraConnect II's heavy-duty construction features precision twist-lock connection, which provides ease of assembly or disassembly without damage to the product.



## DURACONNECT II - DOUBLE-WALL FLEX CONNECTOR

DuraConnect II is the connector system that replaces rigid gas vent with a flexible section. Double-wall DuraConnect II may be used to connect single or multiple appliances, provided the connectors and vents are properly sized. DuraConnect II can be used when Type B gas vent double-wall connector is required.



SIZE	LENGTH	STOCK #	ORDER #
3"	12"	3DV12DW	6505
3"	24"	3DV24DW	6504
3"	36"	3DV36DW	6503
3"	48"	3DV48DW	6501
3"	60"	3DV60DW	6501
4"	12"	4DV12DW	6605
4"	24"	4DV24DW	6604
4"	36"	4DV36DW	6603
4"	48"	4DV48DW	6602
4"	60"	4DV60DW	6601
5"	12"	5DV12DW	6705
5"	24"	5DV24DW	6704
5"	36"	5DV36DW	6703
5"	48"	5DV48DW	6702
5"	60"	5DV60DW	6701
6"	12"	6DV12DW	6805
6"	24"	6DV24DW	6804
6"	36"	6DV36DW	6803
6"	48"	6DV48DW	6802
6"	60"	6DV60DW	6801

# DURACONNECT CONNECTOR SYSTEMS

## DURACONNECT - SINGLE-WALL FLEX CONNECTOR

DuraConnect may be used anywhere single-wall connector is allowed. Twist-lock connectors on each end. DuraConnect can be used to connect single and multiple appliances.

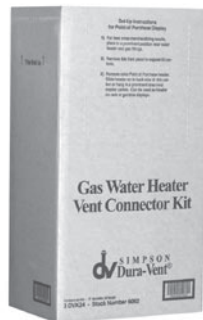


SIZE	LENGTH	STOCK #	ORDER #
3"	12"	3DV12	6006
3"	24"	3DV24	6004
3"	36"	3DV36	6003
3"	48"	3DV48	6002
3"	60"	3DV60	6001
4"	12"	4DV12	6106
4"	24"	4DV24	6104
4"	36"	4DV36	6103
4"	48"	4DV48	6102
4"	60"	4DV60	6101
5"	12"	5DV12	6206
5"	24"	5DV24	6204
5"	36"	5DV36	6203
5"	48"	5DV48	6202
5"	60"	5DV60	6201
6"	12"	6DV12	6306
6"	24"	6DV24	6304
6"	36"	6DV36	6303
6"	48"	6DV48	6302
6"	60"	6DV60	6301

## GAS WATER HEATER VENT CONNECTOR KIT

Adapts to existing Type B gas vent. One-piece unit includes: DuraConnect Length with attached Appliance Connector and Universal Connector.

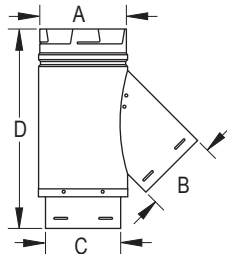
SIZE	ORDER #
3" x 24"	6062
3" x 36"	6061



# DURACONNECT CONNECTOR SYSTEMS

## INCREASER WYE WITH 45° BRANCH

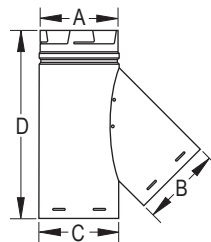
Use single-wall Increaser Wye to combine connectors from two or more appliances. Use to connect single-wall pipe or DuraConnect to common vented Type B gas vent.



SIZE	BRANCH & BASE	STOCK #	ORDER #	A	B	C	D
4"	Y w/3" BR at 45°-3" Base	4DVY33	6143	4 <sup>5</sup> / <sub>8</sub> "	3 <sup>5</sup> / <sub>8</sub> "	3 <sup>5</sup> / <sub>8</sub> "	11 <sup>1</sup> / <sub>4</sub> "
5"	Y w/3" BR at 45°-4" Base	5DVY34	6243	5 <sup>5</sup> / <sub>8</sub> "	3 <sup>5</sup> / <sub>8</sub> "	4 <sup>5</sup> / <sub>8</sub> "	11 <sup>1</sup> / <sub>4</sub> "
5"	Y w/4" BR at 45°-4" Base	5DVY44	6242	5 <sup>5</sup> / <sub>8</sub> "	4 <sup>5</sup> / <sub>8</sub> "	4 <sup>5</sup> / <sub>8</sub> "	12 <sup>5</sup> / <sub>8</sub> "
5"	Y w/4" BR at 45°-3" Base	5DVY43	6248	5 <sup>5</sup> / <sub>8</sub> "	4 <sup>5</sup> / <sub>8</sub> "	3 <sup>5</sup> / <sub>8</sub> "	13"
5"	Y w/5" BR at 45°-3" Base	5DVY53	6241	5 <sup>5</sup> / <sub>8</sub> "	5 <sup>5</sup> / <sub>8</sub> "	3 <sup>5</sup> / <sub>8</sub> "	14 <sup>1</sup> / <sub>4</sub> "
6"	Y w/3" BR at 45°-4" Base	6DVY34	6344	6 <sup>5</sup> / <sub>8</sub> "	3 <sup>5</sup> / <sub>8</sub> "	4 <sup>5</sup> / <sub>8</sub> "	11 <sup>1</sup> / <sub>4</sub> "
6"	Y w/4" BR at 45°-3" Base	6DVY43	6341	6 <sup>5</sup> / <sub>8</sub> "	4 <sup>5</sup> / <sub>8</sub> "	3 <sup>5</sup> / <sub>8</sub> "	13"
6"	Y w/3" BR at 45°-5" Base	6DVY35	6343	6 <sup>5</sup> / <sub>8</sub> "	3 <sup>5</sup> / <sub>8</sub> "	5 <sup>5</sup> / <sub>8</sub> "	11 <sup>1</sup> / <sub>2</sub> "
6"	Y w/4" BR at 45°-5" Base	6DVY45	6342	6 <sup>5</sup> / <sub>8</sub> "	4 <sup>5</sup> / <sub>8</sub> "	5 <sup>5</sup> / <sub>8</sub> "	13"

## STANDARD WYE WITH 45° BRANCH

Use single-wall Standard Wye to combine connectors from two or more appliances into a common vent. Additional sizes available through special order.

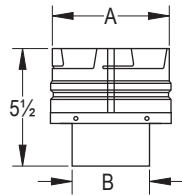


SIZE	BRANCH & BASE	STOCK #	ORDER #	A	B	C	D
3"	Y w/3" BR at 45°	3DVY	6045	3 <sup>1</sup> / <sub>2</sub> "	3 <sup>5</sup> / <sub>8</sub> "	3 <sup>5</sup> / <sub>8</sub> "	10 <sup>1</sup> / <sub>2</sub> "
4"	Y w/3" BR at 45°	4DVY3	6146	4 <sup>1</sup> / <sub>2</sub> "	3 <sup>5</sup> / <sub>8</sub> "	4 <sup>5</sup> / <sub>8</sub> "	10 <sup>1</sup> / <sub>2</sub> "
4"	Y w/4" BR at 45°	4DVY4	6145	4 <sup>1</sup> / <sub>2</sub> "	4 <sup>5</sup> / <sub>8</sub> "	4 <sup>5</sup> / <sub>8</sub> "	11 <sup>3</sup> / <sub>4</sub> "
5"	Y w/3" BR at 45°	5DVY3	6247	5 <sup>1</sup> / <sub>2</sub> "	3 <sup>5</sup> / <sub>8</sub> "	5 <sup>5</sup> / <sub>8</sub> "	10 <sup>1</sup> / <sub>2</sub> "
5"	Y w/5" BR at 45°	5DVY	6245	5 <sup>1</sup> / <sub>2</sub> "	5 <sup>5</sup> / <sub>8</sub> "	5 <sup>5</sup> / <sub>8</sub> "	13 <sup>1</sup> / <sub>4</sub> "
6"	Y w/3" BR at 45°	6DVY3	6348	6 <sup>1</sup> / <sub>2</sub> "	3 <sup>5</sup> / <sub>8</sub> "	6 <sup>5</sup> / <sub>8</sub> "	10 <sup>1</sup> / <sub>2</sub> "
6"	Y w/6" BR at 45°	6DVY	6345	6 <sup>1</sup> / <sub>2</sub> "	6 <sup>5</sup> / <sub>8</sub> "	6 <sup>5</sup> / <sub>8</sub> "	14 <sup>3</sup> / <sub>4</sub> "

# DURACONNECT CONNECTOR SYSTEMS

## APPLIANCE CONNECTOR

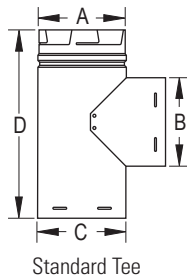
Use single-wall Appliance Connector to attach an appliance to connector pipe.



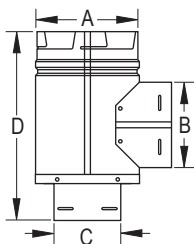
SIZE	STOCK #	ORDER #	A	B
3"	3DVC	6070	3½"	3"
4"	4DVC	6170	4½"	4"
5"	5DVC	6270	5½"	5"
6"	6DVC	6370	6½"	6"

## STANDARD TEE & INCREASER TEE

Use single-wall Standard Tee or Increaser Tee to combine connectors from two or more appliances into a common vent. Additional sizes available through special order.



Standard Tee



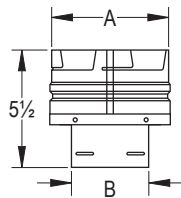
Increaser Tee

SIZE	BRANCH & BASE	STOCK #	ORDER #	A	B	C	D
STANDARD TEE							
3"	Tee w/3" BR at 90°	3DVT	6090	3½"	3⅝"	3⅝"	9"
4"	Tee w/3" BR at 90°	4DVT3	6191	4½"	3⅝"	4⅝"	10½"
4"	Tee w/4" BR at 90°	4DVT	6190	4½"	4⅝"	4⅝"	10½"
5"	Tee w/3" BR at 90°	5DVT3	6292	5½"	3⅝"	5⅝"	9"
5"	Tee w/4" BR at 90°	5DVT4	6291	5½"	4⅝"	5⅝"	10"
5"	Tee w/5" BR at 90°	5DVT	6290	5½"	5⅝"	5⅝"	12"
6"	Tee w/3" BR at 90°	6DVT3	6393	6½"	3⅝"	6⅝"	9"
6"	Tee w/4" BR at 90°	6DVT4	6392	6½"	4⅝"	6⅝"	10"
6"	Tee w/5" BR at 90°	6DVT5	6391	6½"	5⅝"	6⅝"	11"
6"	Tee w/6" BR at 90°	6DVT	6390	6½"	6⅝"	6⅝"	12"
INCREASER TEE							
5"	Tee w/4" BR-3" Base	5DVT43	6293	5½"	4⅝"	3⅝"	10¼"
5"	Tee w/3" BR-4" Base	5DVT34	6294	5½"	3⅝"	4⅝"	9¼"
6"	Tee w/3" BR-4" Base	6DVT34	6295	6½"	3⅝"	4⅝"	9¼"
6"	Tee w/4" BR-4" Base	6DVT44	6296	6½"	4⅝"	4⅝"	10¼"
6"	Tee w/3" BR-5" Base	6DVT35	6297	6½"	3⅝"	5⅝"	9¼"

# DURACONNECT CONNECTOR SYSTEMS

## INCREASER

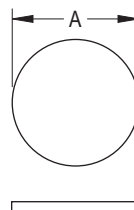
Use single-wall Increaser to increase connector diameter. Additional sizes available through special order.



SIZE	STOCK #	ORDER #	A	B
3" x 4"	3DVX4	6010	4½"	3⅝"
3" x 5"	3DVX5	6011	5½"	3⅝"
3" x 6"	3DVX6	6012	6½"	3⅝"
4" x 5"	4DVX5	6110	5½"	4⅝"
4" x 6"	4DVX6	6111	6½"	4⅝"
4" x 7"	4DVX7	6112	7½"	4⅝"
5" x 6"	5DVX6	6210	6½"	5⅝"
5" x 7"	5DVX7	6211	7½"	5⅝"
6" x 7"	6DVX7	6212	7½"	6⅝"

## TEE CAP

Use to cap single-wall DuraConnect Tee. Remove Tee Cap to inspect the system, or to clean out debris or collected condensate from the common vent.



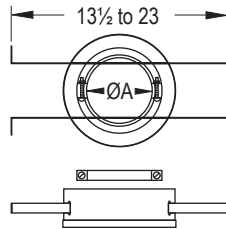
SIZE	STOCK #	ORDER #	A
3"	3DVTC	6051	3⅝"
4"	4DVTC	6151	4⅝"
5"	5DVTC	6251	5⅝"
6"	6DVTC	6351	6⅝"



# DURACONNECT CONNECTOR SYSTEMS

## ROUND SUPPORT

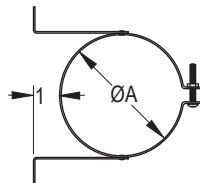
Use to support DuraConnect from ceiling. Also used to support a Round to Oval Adapter. A Firestop Spacer is required.



SIZE	STOCK #	ORDER #	A
3"	3DRS	6020	7"
4"	4DRS	6120	7"
5"	5DRS	6220	8"
6"	6DRS	6320	8"
7"	7DRS	6420	10"

## WALL STRAP

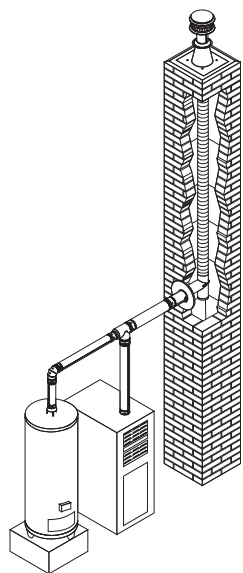
Use to provide support for offsets and horizontal runs.



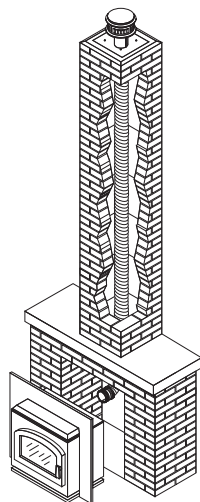
SIZE	STOCK #	ORDER #	A
3"	3GVWS	1485	3 <sup>5</sup> / <sub>8</sub> "
4"	4GVWS	1486	4 <sup>5</sup> / <sub>8</sub> "
5"	5GVWS	1487	5 <sup>5</sup> / <sub>8</sub> "
6"	6GVWS	1488	6 <sup>5</sup> / <sub>8</sub> "
7"	7GVWS	1489	7 <sup>5</sup> / <sub>8</sub> "
8"	8GVWS	1490	8 <sup>5</sup> / <sub>8</sub> "

## DURAFLEX AL - ALUMINUM FLEX LENGTH

Available in 3" - 8" diameters of 25', 35', and 50' flex lengths.



Type B gas vent manifold  
(more than one appliance  
attached to horizontal run)  
with DuraFlex AL

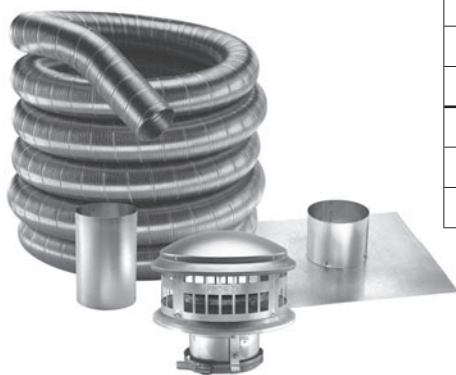


Gas insert with  
DuraFlex AL

SIZE	LENGTH	ORDER #
3"	25'	2270
3"	35'	2280
3"	50'	2290
4"	25'	2271
4"	35'	2281
4"	50'	2291
5"	25'	2272
5"	35'	2282
5"	50'	2292
6"	25'	2273
6"	35'	2283
6"	50'	2293
7"	25'	2274
7"	35'	2284
7"	50'	2294
8"	25'	2275
8"	35'	2285
8"	50'	2295

## DURAFLEX AL KIT

DuraFlex AL Kits are available in 3"-8" diameters and in 15', 25', and 35' lengths. Kit includes Flex Lengths, Cap, Top Plate, and Mortar Sleeve.



SIZE	LENGTH	ORDER #
3"	15'	2200
3"	25'	2210
3"	35'	2220
4"	15'	2201
4"	25'	2211
4"	35'	2221
5"	15'	2202
5"	25'	2212
5"	35'	2222

SIZE	LENGTH	ORDER #
6"	15'	2203
6"	25'	2213
6"	35'	2223
7"	15'	2204
7"	25'	2214
7"	35'	2224
8"	15'	2205
8"	25'	2215
8"	35'	2225

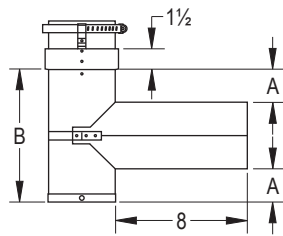
# DURAFLEX AL

## DURAFLEX AL TEE

Includes a Tee Cap and a removable branch. Attaches to flex pipe with a fast-connect band. Branch connects to the tee body with an outside fast-connect band.

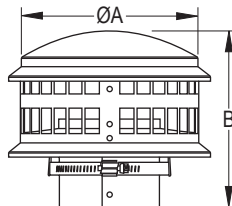
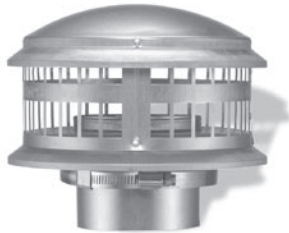


SIZE	ORDER #	A	B
3"	2240	2½"	8"
4"	2241	2"	8"
5"	2242	2½"	10"
6"	2243	2"	10"
7"	2244	2½"	12"
8"	2245	2"	12"



## DURAFLEX AL CAP

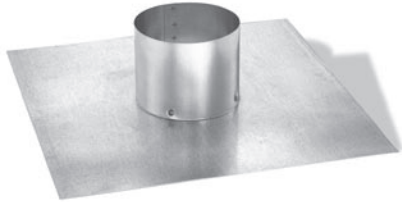
Made of aluminum and fastens to flex pipe with fast connect band. Use with non-condensing gas appliances.



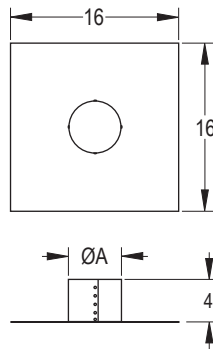
SIZE	ORDER #	A	B
3"	2230	8"	7½"
4"	2231	8"	7½"
5"	2232	11"	9"
6"	2233	11"	9"
7"	2234	15"	9⅝"
8"	2235	15"	9⅝"

## DURAFLEX TOP PLATE

Eliminates the use of a Storm Collar. Simply pull flex length through the DuraFlex Top Plate and attach DuraFlex AL Cap with fast connect band for a secure leak-proof fit.

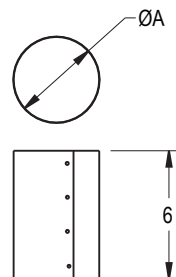


SIZE	ORDER #	A
3"	2100	4"
4"	2101	5"
5"	2102	6"
6"	2103	7"
7"	2104	8"
8"	2105	9"



## DURAFLEX MORTAR SLEEVE

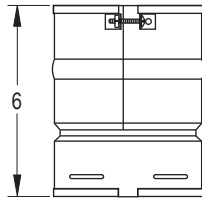
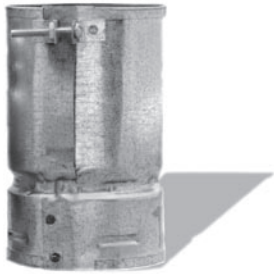
Use when passing flex length through a masonry wall.



SIZE	ORDER #	A
3"	2140	4"
4"	2141	5"
5"	2142	6"
6"	2143	7"
7"	2144	8"
8"	2145	9"

## FEMALE FLEX ADAPTER

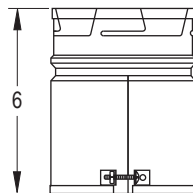
Use to connect Simpson Dura-Vent Type B gas vent products to DuraFlex AL.



SIZE	ORDER #
3"	2120
4"	2121
5"	2122
6"	2123
7"	2124
8"	2125

## MALE ADAPTER

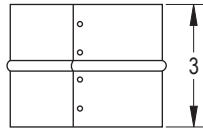
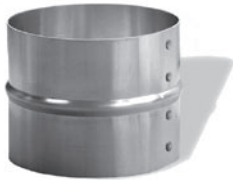
Use to connect Simpson Dura-Vent Type B gas vent products to DuraFlex AL.



SIZE	STOCK #	ORDER #
3"	3GVAM	490
4"	4GVAM	491
5"	5GVAM	492
6"	6GVAM	493
7"	7GVAM	487
8"	8GVAM	494

## DURAFLEX AL COUPLING

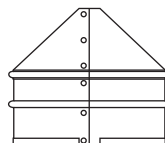
Use to join aluminum flex lengths to Type B gas vent, appliances, or other flex lengths.



SIZE	ORDER #
3"	2150
4"	2151
5"	2152
6"	2153
7"	2154
8"	2155

## DURAFLEX FLEX PULLER

Use to guide flex pipe lengths, during installation, down masonry opening.



SIZE	ORDER #
3"	2190
4"	2191
5"	2192
6"	2193
7"	2194
8"	2195

## WARRANTY

---

### SIMPSON DURA-VENT LIMITED LIFETIME WARRANTY

#### **TYPE B GAS VENT ROUND AND OVAL**

Type B gas vent system is for use with Category I appliances. Type B gas vent is available in diameters of 3" to 30" round vent and 4" to 6" oval vent. Type B gas vent is UL & ULC Listed and tested. 25-year warranty. Type B gas vent may not be used to vent flue products from incinerators, combination gas/oil appliances, oil-fired, or wood-burning appliances.

#### **DURACONNECT & DURACONNECT II**

Flexible connector system in 3", 4", 5", and 6" diameter sizes. DuraConnect is a flexible single-wall gas vent connector system. UL Listed for 1-inch clearance to combustibles. 10-year warranty.

DuraConnect II is a flexible double-wall connector system in 3", 4", 5", and 6" diameter sizes. DuraConnect II is UL approved as a Type B gas vent segment for use in attics and crawl spaces and can be used where a Type B gas vent double-wall connector is required. 10-year warranty.

#### **DURAFLEX AL**

DuraFlex AL is warranted for a period of 10 years from date of installation.

The warranty includes all components and fittings, except caps. Caps have a five-year warranty. All warranties, whether expressed or implied, shall be limited to replacement (exclusive of installation costs) of the product found to be defective under this warranty and shall be conditional upon compliance with all recommended installation and maintenance procedures and intended use of the product. All products must be maintained by periodic inspection and cleaning as needed, including vent exposed to weather containing corrosive elements.

Simpson Dura-Vent offers a complete line of venting products for most types of applications. To view Simpson Dura-Vent's quality venting and chimney products, catalogs, installation instructions, and frequently asked questions, visit our web site at [www.duravent.com](http://www.duravent.com).

A complete copy of the Simpson Dura-Vent Gas Vent Sizing Handbook guide can be viewed on our web site. The Sizing Handbook is a complete step-by-step training manual which includes venting requirements for Category I draft hood equipped and fan assisted gas appliances.

### Customer Service Support

**800-835-4429**

**707-446-4740 Fax**

**[www.duravent.com](http://www.duravent.com)**

DuraTech, DVL, DuraBlack, DuraLiner, DuraPlus, DuraPlus HTC, PelletVent, DirectVent GS, Dura-Vent, DuraFlex, and DuraConnect are registered trademarks of the Simpson Dura-Vent Co., Inc. All rights reserved, 2005.



Customer Service Center

800-835-4429

(707) 446-4740 Fax

[www.duravent.com](http://www.duravent.com)