

LYNX™ 4HP18V

PRODUCT SPECIFICATIONS

HIGH-EFFICIENCY
SPLIT HEAT PUMP SYSTEM
UP TO 20 SEER & 10 HSPF

FORM NO. 4HP18V-100 (10/2021)



INSTALLED BY THE BEST

- Installer training available through authorized distributors and on Allied Air Academy

COMPRESSOR

- Inverter-driven compressor for true variable capacity operation, precision environmental control, and exceptional energy savings
- R410A refrigerant
- Grommet-mounted compressor for quiet operation
- Heavy-duty compressor sound blanket for quiet operation
- Internally protected against high temperature motor overload conditions

CABINET

- Full metal louvered construction to protect the coil
- Individual metal louvered panels remove easily for coil cleaning and service
- Specialized corner-mounted controls for easy service
- Baked polyester paint finished over galvanized steel for maximum durability
- Removable PVC coated wire fan discharge grill
- External gauge ports for easy service
- Removable service panel for internal access
- Compliant with Florida Building Code 2020

COILS

- Omniguard® coil corrosion protection with all-aluminum tube-and-fin coil design
- Lanced fins for maximum heat transfer
- Factory tested for leakproof construction
- Raised coil prevents debris from impeding airflow and helps prevent ice build-up

DESIGN

- Designed for installation with a standard 24V thermostat and non-communicating equipment
- Offers five total operating modes, three in cooling and two for heating, to fine-tune the unit's performance to the application and consumer's needs
- Clean-sweep defrost provides a more thorough defrost, reducing the number of cycles during heating operation
- Designed to perform in temperatures from -15°F to 125°F

COMPONENTS

- 45-degree offset gauge ports are positioned for quick installation and easy service
- Variable speed condenser fan motor
- Swept wing fan blade for quiet operation (5 Ton)
- Factory-installed crankcase heater
- Factory-installed TXV for excellent refrigeration control
- Factory-installed high and low pressure switches
- Thread-on pressure switches for simple, quick service
- Fan orifice for smoother airflow and sound level reduction
- QuickLink™ technology uses proprietary algorithms and specialized sensors to monitor liquid and suction temperatures and pressures for precision system control in true variable speed operation
- Shipped factory charged for 15 feet of line set
- Discharge muffler for quiet operation
- Demand defrost for increased energy efficiency
- Quiet Shift™ capable to reduce noise during defrost

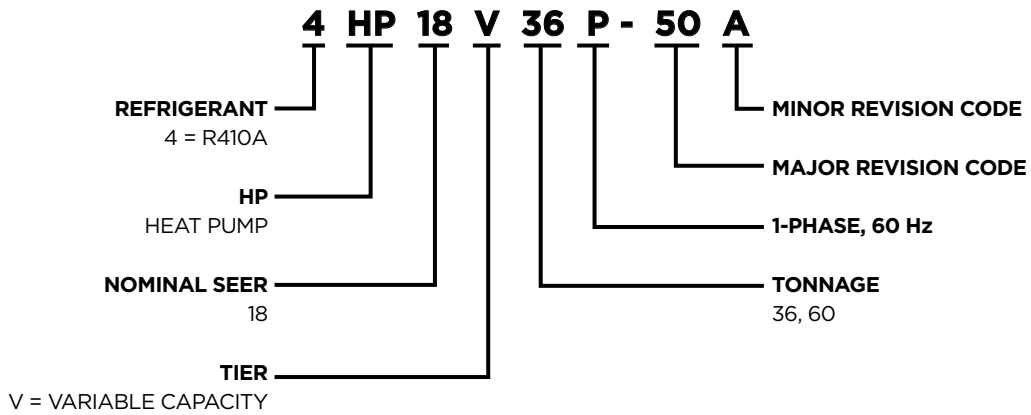
WARRANTY

- 5-year limited warranty
- 10-year limited extended warranty available on all parts and compressor

**Warranty provides for a total of 10 years of limited warranty coverage (Standard 5-year limited parts warranty plus an additional 5-year limited extended parts warranty). Warranty must be registered online within 60 days of installation to qualify for 10-year coverage. Unregistered equipment defaults to 5-year coverage. Lifetime limited heat exchanger warranty applies to registered equipment only (Standard 20 years with no online registration). See full warranty at www.alliedair.com for terms, conditions and exclusions.*



MODEL NUMBER GUIDE



ELECTRICAL AND PHYSICAL DATA

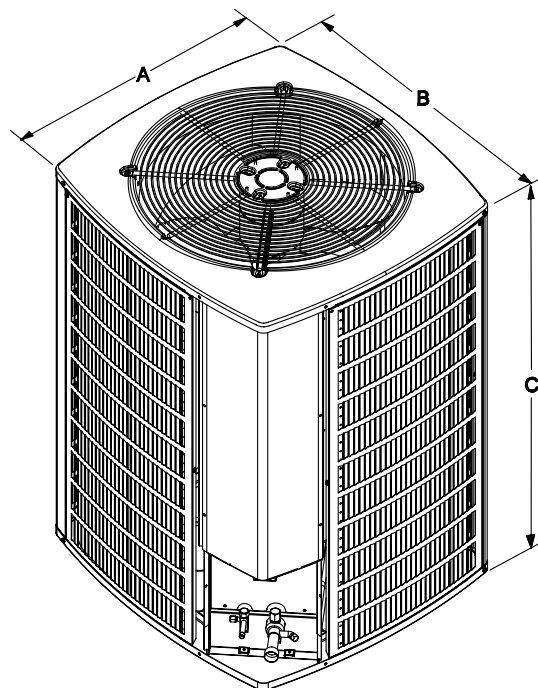
Model	Voltage/Hz/ Phase	Voltage Range	Min. Circuit Amp.	Max. Over Current Device (amps)	Compressor	Outdoor Fan Motor			Shipping Weight (lbs.)
					Input Amps	Full Load (amps)	Rated HP	Nom. RPM	
4HP18V36P-50	208-230/60/1	197-253	21.9	35	15.3	2.8	1/3	VAR. SPD	215
4HP18V60P-50	208-230/60/1	197-253	33.7	50	24.7	2.8	1/3	VAR. SPD	272

Note:
Weights listed are unit weights with packaging
+ Factory charged for 15 feet of line set; adjust per installation instructions

DIMENSIONS (IN.)

Model No.	Dimensions (inch)		
	A - Width	B - Depth	C - Height
4HP18V36P-50	29.38	31.25	33.75
4HP18V60P-50	29.38	31.25	43.75

Note:
Dimensions listed are unit sizes w/o packaging



SOUND RATINGS

Model	Sound Power ¹	Estimated Sound Pressure (dBA) ²		
		Approximate Distance ³		
		One Meter (3.3 feet)	Two Meters (6.6 feet)	Three Meters (9.8 feet)
4HP18V36P-50 (2 TON MODE)	72	64	58	54
4HP18V36P-50 (3 TON MODE)	74	66	60	56
4HP18V60P-50 (4 TON MODE)	74	66	60	56
4HP18V60P-50 (5 TON MODE)	79	71	65	61

¹ Rated in accordance with AHRI standard 270 (2015)

² Rated in accordance with AHRI standard 275 (2010)

³ Based only on distance factor; other factors may change this value such as:

- Unit location (reflective surfaces adjacent to the unit)
- Barrier shielding sources
- Sound path/elevation
- Outside noise sources

REFRIGERATION DATA

Model	Factory Refrig. Charge (oz.) *	TXV	Refrigerant Line Size		Outdoor Unit Connection		Indoor Unit Connection	
			Suction	Liquid	Suction	Liquid	Suction	Liquid
4HP18V36P-50 (2 TON MODE)	138	H4TXV01	3/4	3/8	3/4	3/8	3/4	3/8
4HP18V36P-50 (3 TON MODE)	138	H4TXV02	3/4	3/8	3/4	3/8	3/4	3/8
4HP18V60P-50 (4 TON MODE)	186	H4TXV02	7/8	3/8	7/8	3/8	7/8	3/8
4HP18V60P-50 (5 TON MODE)	186	H4TXV03	1-1/8	3/8	7/8	3/8	7/8	3/8

* Factory charged for 15 feet of line set; adjust per installation instructions
 Refrigerant charge also varies with indoor unit; refer to refrigerant charge label

COOLING PERFORMANCE WITH DTC¹

Outdoor Model	Indoor Model	Cooling				Heating				High CFM	Med CFM	Low CFM	
		SEER	EER	AHRI Rated Capacity ²	Sensible Capacity	HSPF	47°		17°				
							Btuh	COP	Btuh				COP
4HP18V36P-50	BCE5V36M	19.0	12.0	34400	27200	9.6	33400	3.30	21400	2.40	1200	820	820
4HP18V60P-50	BCE5V60M	16.0	10.0	55500	40600	9.0	55500	2.82	37000	2.14	1800	1200	1200

Note:
¹ DTC = Designated tested combination
² Certified in accordance with Unitary Air Conditioner Certification Program, which is based on AHRI Standard 210/240
³ A blower time delay relay is standard on all Allied Air Enterprises furnace and air handler products

NOTE:

For the latest AHRI system matches, please visit www.alliedratings.com or www.AHRIdirectory.org

COOLING PERFORMANCE EXTENDED RATINGS

4HP18V36P-50 (2 TON MODE) - BCE5V24M - MAXIMUM CAPACITY

Indoor Wet Bulb Temperature		Outdoor Air Temperature Entering Outdoor Coil																													
		85° F (29.4° C)				95° F (35° C)				105° F (40.6° C)				115° F (46.1° C)				125° F (51.7° C)													
		Total Cooling Capacity		Sensible To Total Ratio (S/T)		Total Cooling Capacity		Sensible To Total Ratio (S/T)		Total Cooling Capacity		Sensible To Total Ratio (S/T)		Total Cooling Capacity		Sensible To Total Ratio (S/T)		Total Cooling Capacity		Sensible To Total Ratio (S/T)											
Total Air Volume	cfm	kW	kBTuh	Comp. Motor Watts Input	Indoor Dry Bulb	75°F 23.9°C	80°F 26.7°C	85°F 29.4°C	Indoor Dry Bulb	75°F 23.9°C	80°F 26.7°C	85°F 29.4°C	Indoor Dry Bulb	75°F 23.9°C	80°F 26.7°C	85°F 29.4°C	Indoor Dry Bulb	75°F 23.9°C	80°F 26.7°C	85°F 29.4°C	Indoor Dry Bulb	75°F 23.9°C	80°F 26.7°C	85°F 29.4°C							
	L/s																								kW	kBTuh	Comp. Motor Watts Input	Indoor Dry Bulb	75°F 23.9°C	80°F 26.7°C	85°F 29.4°C
59°F (15°C)	670	315	22.4	6.6	1300	.92	1.00	1.00	21.4	6.3	1490	.94	1.00	1.00	20.4	6.0	1690	.97	1.00	1.00	19.2	5.6	1900	1.00	1.00	18.1	5.3	2120	1.00	1.00	1.00
	820	385	24.0	7.0	1290	.98	1.00	1.00	22.8	6.7	1490	1.00	1.00	21.6	6.3	1690	1.00	1.00	20.6	6.0	1910	1.00	1.00	19.3	5.7	2130	1.00	1.00	1.00	1.00	
63°F (17.2°C)	1050	495	25.8	7.6	1280	1.00	1.00	1.00	24.4	7.2	1480	1.00	1.00	23.2	6.8	1690	1.00	1.00	22.0	6.4	1910	1.00	1.00	20.6	6.0	2150	1.00	1.00	1.00	1.00	1.00
	670	315	23.4	6.9	1300	.74	.88	1.00	22.0	6.4	1490	.76	.91	20.8	6.1	1690	.78	.94	19.4	5.7	1900	.81	.97	18.1	5.3	2120	.83	1.00	1.00	1.00	1.00
67°F (19.4°C)	820	385	24.4	7.2	1290	.79	.94	1.00	23.0	6.7	1480	.81	.97	21.6	6.3	1690	.84	1.00	20.4	6.0	1900	.86	1.00	19.3	5.7	2130	.90	1.00	1.00	1.00	1.00
	1050	495	25.8	7.6	1280	.85	1.00	1.00	24.6	7.2	1480	.88	1.00	23.2	6.8	1690	.92	1.00	22.0	6.4	1920	.95	1.00	20.6	6.0	2140	.99	1.00	1.00	1.00	1.00
71°F (21.7°C)	670	315	24.8	7.3	1290	.58	.71	.84	23.4	6.9	1480	.60	.73	22.2	6.5	1690	.61	.76	20.8	6.1	1900	.62	.78	19.3	5.7	2130	.64	.81	.97	1.00	1.00
	820	385	25.8	7.6	1280	.62	.77	.91	24.4	7.2	1480	.63	.79	23.0	6.7	1690	.64	.81	21.6	6.3	1910	.66	.84	20.0	5.9	2140	.68	.87	1.00	1.00	1.00
71°F (21.7°C)	1050	495	27.0	7.9	1270	.65	.83	.99	25.6	7.5	1470	.67	.86	24.0	7.0	1690	.69	.89	22.4	6.6	1910	.71	.93	20.8	6.1	2140	.74	.97	1.00	1.00	1.00
	670	315	26.2	7.7	1270	.45	.57	.69	24.8	7.3	1480	.45	.58	23.4	6.9	1690	.46	.59	22.0	6.4	1910	.46	.61	20.6	6.0	2140	.47	.62	.78	1.00	1.00
71°F (21.7°C)	820	385	27.4	8.0	1260	.46	.60	.74	25.8	7.6	1470	.46	.61	24.4	7.2	1690	.47	.63	22.8	6.7	1910	.48	.64	21.4	6.3	2150	.48	.66	.84	1.00	1.00
	1050	495	28.4	8.3	1250	.48	.64	.81	27.0	7.9	1470	.48	.66	25.4	7.4	1690	.49	.68	23.8	7.0	1920	.50	.70	22.2	6.5	2150	.51	.73	.94	1.00	1.00

COOLING PERFORMANCE EXTENDED RATINGS

4HP18V36P-50 (2 TON MODE) - BCE5V24M - INTERMEDIATE CAPACITY

Indoor Wet Bulb Temperature		Outdoor Air Temperature Entering Outdoor Coil																															
		85° F (29.4° C)				95° F (35° C)				105° F (40.6° C)				115° F (46.1° C)				125° F (51.7° C)															
		Total Cooling Capacity		Sensible To Total Ratio (S/T)		Total Cooling Capacity		Sensible To Total Ratio (S/T)		Total Cooling Capacity		Sensible To Total Ratio (S/T)		Total Cooling Capacity		Sensible To Total Ratio (S/T)		Total Cooling Capacity		Sensible To Total Ratio (S/T)													
cfm	L/s	kBtuh	kW	Comp. Motor Watts Input	Indoor Dry Bulb	75°F / 23.9°C	80°F / 26.7°C	85°F / 29.4°C	kBtuh	kW	Comp. Motor Watts Input	Indoor Dry Bulb	75°F / 23.9°C	80°F / 26.7°C	85°F / 29.4°C	kBtuh	kW	Comp. Motor Watts Input	Indoor Dry Bulb	75°F / 23.9°C	80°F / 26.7°C	85°F / 29.4°C											
59°F (15°C)		450	210	14.9	4.4	610	.93	1.00	1.00	14.2	4.2	730	.96	1.00	1.00	13.5	4.0	850	.99	1.00	1.00	12.7	3.7	980	1.00	1.00	1.00	12.0	3.5	1130	1.00	1.00	1.00
		600	285	16.4	4.8	590	1.00	1.00	1.00	15.7	4.6	710	1.00	1.00	1.00	14.8	4.3	840	1.00	1.00	1.00	14.0	4.1	980	1.00	1.00	1.00	13.1	3.8	1130	1.00	1.00	1.00
		700	330	17.2	5.0	580	1.00	1.00	1.00	16.4	4.8	700	1.00	1.00	1.00	15.5	4.5	840	1.00	1.00	1.00	14.6	4.3	980	1.00	1.00	1.00	13.6	4.0	1130	1.00	1.00	1.00
63°F (17.2°C)		450	210	15.4	4.5	600	.75	.90	1.00	14.6	4.3	720	.77	.92	1.00	13.7	4.0	850	.80	.96	1.00	12.8	3.8	990	.82	.99	1.00	12.0	3.5	1120	.85	1.00	1.00
		600	285	16.4	4.8	590	.83	1.00	1.00	15.7	4.6	720	.85	1.00	1.00	14.8	4.3	850	.88	1.00	1.00	13.9	4.1	980	.92	1.00	1.00	13.1	3.8	1120	.96	1.00	1.00
		700	330	17.2	5.0	580	.88	1.00	1.00	16.4	4.8	710	.90	1.00	1.00	15.5	4.5	840	.94	1.00	1.00	14.6	4.3	980	.98	1.00	1.00	13.7	4.0	1130	1.00	1.00	1.00
67°F (19.4°C)		450	210	16.3	4.8	590	.59	.73	.86	15.5	4.5	710	.60	.74	.88	14.6	4.3	840	.62	.77	.92	13.6	4.0	980	.63	.80	.95	12.7	3.7	1120	.65	.82	.99
		600	285	17.4	5.1	580	.63	.80	.96	16.4	4.8	700	.65	.83	.99	15.4	4.5	840	.67	.86	1.00	14.4	4.2	980	.69	.89	1.00	13.3	3.9	1120	.72	.93	1.00
		700	330	17.9	5.2	570	.66	.85	1.00	16.9	5.0	700	.69	.88	1.00	15.9	4.7	830	.70	.91	1.00	14.8	4.3	970	.73	.96	1.00	13.7	4.0	1120	.76	1.00	1.00
71°F (21.7°C)		450	210	17.3	5.1	580	.45	.58	.70	16.4	4.8	700	.45	.59	.72	15.5	4.5	840	.46	.60	.74	14.5	4.2	980	.46	.62	.77	13.5	4.0	1120	.47	.64	.80
		600	285	18.4	5.4	560	.47	.62	.78	17.4	5.1	690	.47	.64	.80	16.4	4.8	830	.48	.66	.83	15.4	4.5	970	.49	.68	.86	14.3	4.2	1120	.50	.70	.91
		700	330	18.8	5.5	550	.48	.65	.83	17.9	5.2	680	.50	.67	.85	16.9	5.0	820	.49	.70	.88	15.7	4.6	970	.50	.72	.93	14.6	4.3	1120	.52	.75	.97

COOLING PERFORMANCE EXTENDED RATINGS

4HP18V36P-50 (2 TON MODE) - BCE5V24M - MINIMUM CAPACITY

Indoor Wet Bulb Temperature		Total Air Volume		Outdoor Air Temperature Entering Outdoor Coil																														
				75° F (23.9° C)				85° F (29.4° C)				95° F (35° C)				105° F (40.6° C)																		
				Total Cooling Capacity		Sensible To Total Ratio (S/T)		Total Cooling Capacity		Sensible To Total Ratio (S/T)		Total Cooling Capacity		Sensible To Total Ratio (S/T)		Total Cooling Capacity		Sensible To Total Ratio (S/T)																
cfm	L/s	kBTuh	kW	Comp. Motor Watts Input	Indoor Dry Bulb		kBTuh	kW	Comp. Motor Watts Input	Indoor Dry Bulb		kBTuh	kW	Comp. Motor Watts Input	Indoor Dry Bulb																			
					75°F 23.9°C	80°F 26.7°C	85°F 29.4°C				75°F 23.9°C	80°F 26.7°C	85°F 29.4°C			75°F 23.9°C	80°F 26.7°C	85°F 29.4°C																
59°F (15°C)	450	210	12.1	3.5	400	1.00	1.00	1.00	11.5	3.4	500	1.00	1.00	1.00	10.8	3.2	600	1.00	1.00	1.00	10.1	3.0	710	1.00	1.00	1.00	1.00	1.00	1.00	1.00	1.00			
	600	285	13.1	3.8	390	1.00	1.00	1.00	12.5	3.7	490	1.00	1.00	1.00	11.7	3.4	590	1.00	1.00	1.00	10.9	3.2	700	1.00	1.00	1.00	1.00	1.00	1.00	1.00	1.00			
	700	330	13.7	4.0	380	1.00	1.00	1.00	13.0	3.8	480	1.00	1.00	1.00	12.2	3.6	580	1.00	1.00	1.00	11.3	3.3	690	1.00	1.00	1.00	1.00	1.00	1.00	1.00	1.00	1.00		
63°F (17.2°C)	450	210	12.1	3.5	400	.87	1.00	1.00	11.5	3.4	500	.90	1.00	1.00	10.8	3.2	600	.94	1.00	1.00	10.1	3.0	710	.99	1.00	1.00	1.00	1.00	1.00	1.00	1.00	1.00	1.00	
	600	285	13.1	3.8	390	.99	1.00	1.00	12.5	3.7	490	1.00	1.00	1.00	11.7	3.4	590	1.00	1.00	1.00	10.9	3.2	700	1.00	1.00	1.00	1.00	1.00	1.00	1.00	1.00	1.00	1.00	
	700	330	13.7	4.0	380	1.00	1.00	1.00	13.0	3.8	480	1.00	1.00	1.00	12.2	3.6	580	1.00	1.00	1.00	11.4	3.3	690	1.00	1.00	1.00	1.00	1.00	1.00	1.00	1.00	1.00	1.00	
67°F (19.4°C)	450	210	12.6	3.7	400	.66	.85	1.00	11.9	3.5	490	.68	.88	1.00	11.1	3.3	600	.70	.91	1.00	10.2	3.0	710	.73	.96	1.00	1.00	1.00	1.00	1.00	1.00	1.00	1.00	1.00
	600	285	13.3	3.9	390	.73	.96	1.00	12.5	3.7	490	.76	1.00	1.00	11.7	3.4	590	.79	1.00	1.00	10.9	3.2	700	.83	1.00	1.00	1.00	1.00	1.00	1.00	1.00	1.00	1.00	
	700	330	13.7	4.0	380	.78	1.00	1.00	13.0	3.8	480	.81	1.00	1.00	12.2	3.6	580	.84	1.00	1.00	11.3	3.3	690	.89	1.00	1.00	1.00	1.00	1.00	1.00	1.00	1.00	1.00	
71°F (21.7°C)	450	210	13.5	4.0	380	.48	.65	.82	12.7	3.7	480	.48	.67	.85	11.9	3.5	590	.49	.69	.89	11.0	3.2	700	.50	.72	.93	1.00	1.00	1.00	1.00	1.00	1.00	1.00	1.00
	600	285	14.1	4.1	370	.51	.73	.93	13.3	3.9	470	.52	.75	.97	12.4	3.6	580	.53	.78	1.00	11.5	3.4	690	.55	.82	1.00	1.00	1.00	1.00	1.00	1.00	1.00	1.00	
	700	330	14.4	4.2	360	.53	.77	1.00	13.6	4.0	470	.54	.80	1.00	12.7	3.7	580	.56	.84	1.00	11.7	3.4	690	.57	.88	1.00	1.00	1.00	1.00	1.00	1.00	1.00	1.00	

COOLING PERFORMANCE EXTENDED RATINGS

4HP18V36P-50 (3 TON MODE) - BCE5V36M - MAXIMUM CAPACITY

Indoor Wet Bulb Temperature		Outdoor Air Temperature Entering Outdoor Coil																														
		85° F (29.4° C)				95° F (35° C)				105° F (40.6° C)				115° F (46.1° C)				125° F (51.7° C)														
		Total Cooling Capacity		Sensible To Total Ratio (S/T)		Total Cooling Capacity		Sensible To Total Ratio (S/T)		Total Cooling Capacity		Sensible To Total Ratio (S/T)		Total Cooling Capacity		Sensible To Total Ratio (S/T)		Total Cooling Capacity		Sensible To Total Ratio (S/T)												
cfm	L/s	kBtu/h	kW	Comp. Motor Watts Input	Indoor Dry Bulb	75°F / 23.9°C	80°F / 26.7°C	85°F / 29.4°C	kBtu/h	kW	Comp. Motor Watts Input	Indoor Dry Bulb	75°F / 23.9°C	80°F / 26.7°C	85°F / 29.4°C	kBtu/h	kW	Comp. Motor Watts Input	Indoor Dry Bulb	75°F / 23.9°C	80°F / 26.7°C	85°F / 29.4°C										
	1050	495	33.2	9.7	2150	.93	1.00	1.00	318	9.3	2400	.95	1.00	1.00	30.2	8.9	2680	.98	1.00	1.00	28.6	8.4	2990	1.00	1.00	26.8	7.9	3330	1.00	1.00	1.00	
59°F (15°C)	1215	575	34.8	10.2	2150	.98	1.00	1.00	33.2	9.7	2400	1.00	1.00	31.6	9.3	2700	1.00	1.00	29.8	8.7	3010	1.00	1.00	28.0	8.2	3350	1.00	1.00	1.00	1.00		
	1385	655	36.2	10.6	2150	1.00	1.00	1.00	34.6	10.1	2410	1.00	1.00	32.8	9.6	2710	1.00	1.00	31.0	9.1	3030	1.00	1.00	29.0	8.5	3370	1.00	1.00	1.00	1.00		
	1050	495	34.4	10.1	2150	.75	.89	1.00	32.6	9.6	2400	.77	.92	1.00	30.8	9.0	2690	.79	.95	1.00	28.8	8.4	3000	.82	.98	1.00	26.8	7.9	3330	.85	1.00	1.00
63°F (17.2°C)	1215	575	35.6	10.4	2150	.79	.94	1.00	33.8	9.9	2410	.80	.97	1.00	31.8	9.3	2700	.83	1.00	29.8	8.7	3010	.86	1.00	28.0	8.2	3350	90	1.00	1.00	1.00	
	1385	655	36.4	10.7	2150	.82	.98	1.00	34.6	10.1	2410	.84	1.00	32.8	9.6	2710	.87	1.00	31.0	9.1	3030	.90	1.00	29.0	8.5	3370	94	1.00	1.00	1.00	1.00	
	1050	495	36.4	10.7	2150	.59	.73	.86	34.6	10.1	2410	.61	.74	.88	32.8	9.6	2710	.61	.77	.91	30.6	9.0	3030	.63	.79	.94	28.4	8.3	3360	.65	.82	.99
67°F (19.4°C)	1215	575	37.6	11.0	2150	.62	.76	.90	35.6	10.4	2420	.63	.78	.93	33.6	9.8	2720	.64	.80	.96	31.4	9.2	3040	.66	.84	1.00	29.0	8.5	3370	.68	.87	1.00
	1385	655	38.5	11.3	2120	.63	.79	.95	36.4	10.7	2420	.65	.82	.98	34.4	10.1	2720	.66	.84	1.00	32.2	9.4	3040	.68	.88	1.00	29.6	8.7	3390	.71	.92	1.00
	1050	495	38.5	11.3	2120	.45	.58	.70	36.6	10.7	2420	.46	.59	.72	34.6	10.1	2720	.46	.60	.74	32.4	9.5	3040	.47	.62	.77	30.0	8.8	3400	.47	.64	.80
71°F (21.7°C)	1215	575	39.5	11.6	2150	.46	.60	.74	37.6	11.0	2410	.46	.61	.76	35.6	10.4	2730	.47	.63	.78	33.4	9.8	3060	.48	.64	.81	30.8	9.0	3400	.48	.66	.84
	1385	655	40.5	11.9	2150	.47	.62	.77	38.5	11.3	2420	.47	.64	.79	36.2	10.6	2730	.48	.65	.82	34.0	10.0	3050	.49	.67	.85	31.6	9.3	3420	.50	.70	.89

COOLING PERFORMANCE EXTENDED RATINGS

4HP18V36P-50 (3 TON MODE) - BCE5V36M - INTERMEDIATE CAPACITY

Indoor Wet Bulb Temperature		Outdoor Air Temperature Entering Outdoor Coil																									
		85° F (29.4° C)				95° F (35° C)				105° F (40.6° C)				115° F (46.1° C)				125° F (51.7° C)									
		Total Cooling Capacity		Sensible To Total Ratio (S/T)		Total Cooling Capacity		Sensible To Total Ratio (S/T)		Total Cooling Capacity		Sensible To Total Ratio (S/T)		Total Cooling Capacity		Sensible To Total Ratio (S/T)		Total Cooling Capacity		Sensible To Total Ratio (S/T)							
cfm	L/s	kBtuh	kW	Comp. Motor Watts Input	Indoor Dry Bulb	75°F / 23.9°C	80°F / 26.7°C	85°F / 29.4°C	75°F / 23.9°C	80°F / 26.7°C	85°F / 29.4°C	75°F / 23.9°C	80°F / 26.7°C	85°F / 29.4°C	75°F / 23.9°C	80°F / 26.7°C	85°F / 29.4°C	75°F / 23.9°C	80°F / 26.7°C	85°F / 29.4°C							
59°F (15°C)	725	345	20.2	5.9	750	1.00	1.00	1.00	19.2	5.6	900	1.00	1.00	1.00	18.2	5.3	1050	1.00	1.00	1.00	16.1	4.7	1380	1.00	1.00	1.00	
	850	390	210	6.2	740	1.00	1.00	1.00	20.0	5.9	890	1.00	1.00	1.00	18.9	5.5	1040	1.00	1.00	1.00	16.7	4.9	1390	1.00	1.00	1.00	
	970	460	218	6.4	720	1.00	1.00	1.00	20.8	6.1	880	1.00	1.00	1.00	19.7	5.8	1040	1.00	1.00	1.00	17.3	5.1	1380	1.00	1.00	1.00	
63°F (17.2°C)	725	345	20.2	5.9	740	.82	.98	1.00	19.2	5.6	890	.84	1.00	1.00	18.2	5.3	1050	.87	1.00	1.00	16.1	4.7	1380	.94	1.00	1.00	
	830	390	210	6.2	730	.86	1.00	1.00	20.0	5.9	880	.88	1.00	1.00	18.9	5.5	1040	.92	1.00	1.00	16.7	4.9	1380	1.00	1.00	1.00	
	970	460	220	6.4	720	.91	1.00	1.00	20.8	6.1	880	.94	1.00	1.00	19.7	5.8	1040	.98	1.00	1.00	17.3	5.1	1380	1.00	1.00	1.00	
67°F (19.4°C)	725	345	21.4	6.3	730	.63	.79	.95	20.2	5.9	880	.65	.81	.98	19.0	5.6	1040	.66	.84	1.00	16.4	4.8	1380	.70	.92	1.00	
	830	390	22.0	6.4	720	.66	.83	1.00	20.8	6.1	880	.67	.86	1.00	19.5	5.7	1040	.69	.89	1.00	16.8	4.9	1380	.74	.97	1.00	
	970	460	22.6	6.6	710	.69	.88	1.00	21.4	6.3	870	.71	.92	1.00	20.0	5.9	1030	.73	.96	1.00	17.4	5.1	1380	.79	1.00	1.00	
71°F (21.7°C)	725	345	22.6	6.6	710	.47	.62	.77	21.4	6.3	870	.47	.63	.79	20.2	5.9	1030	.48	.65	.82	18.8	5.5	1210	.48	.67	.85	.89
	830	390	23.2	6.8	700	.47	.65	.81	22.0	6.4	860	.49	.66	.84	20.6	6.0	1030	.49	.68	.87	19.2	5.6	1200	.50	.71	.90	.95
	970	460	23.8	7.0	690	.49	.68	.86	22.4	6.6	850	.49	.70	.89	21.0	6.2	1030	.51	.72	.93	19.7	5.8	1200	.52	.75	.97	1.00

COOLING PERFORMANCE EXTENDED RATINGS

4HP18V36P-50 (3 TON MODE) - BCE5V36M - MINIMUM CAPACITY

Indoor Wet Bulb Temperature		Outdoor Air Temperature Entering Outdoor Coil																										
		75° F (23.9° C)				85° F (29.4° C)				95° F (35° C)				105° F (40.6° C)														
		Total Cooling Capacity		Sensible To Total Ratio (S/T)		Total Cooling Capacity		Sensible To Total Ratio (S/T)		Total Cooling Capacity		Sensible To Total Ratio (S/T)		Total Cooling Capacity		Sensible To Total Ratio (S/T)												
cfm	L/s	kBTuh	kW	Comp. Motor Watts Input	Indoor Dry Bulb	75°F 23.9°C	80°F 26.7°C	85°F 29.4°C	kBTuh	kW	Comp. Motor Watts Input	Indoor Dry Bulb	75°F 23.9°C	80°F 26.7°C	85°F 29.4°C	kBTuh	kW	Comp. Motor Watts Input	Indoor Dry Bulb	75°F 23.9°C	80°F 26.7°C	85°F 29.4°C						
59°F (15°C)		725	345	14.0	4.1	370	1.00	1.00	1.00	13.3	3.9	470	1.00	1.00	1.00	12.6	3.7	580	1.00	1.00	1.00	11.7	3.4	690	1.00	1.00	1.00	1.00
		830	390	14.5	4.2	360	1.00	1.00	1.00	13.8	4.0	460	1.00	1.00	1.00	13.0	3.8	570	1.00	1.00	1.00	12.1	3.5	690	1.00	1.00	1.00	1.00
		970	460	15.0	4.4	350	1.00	1.00	1.00	14.2	4.2	460	1.00	1.00	1.00	13.4	3.9	560	1.00	1.00	1.00	12.5	3.7	680	1.00	1.00	1.00	1.00
63°F (17.2°C)		725	345	14.0	4.1	370	1.00	1.00	1.00	13.4	3.9	470	1.00	1.00	1.00	12.6	3.7	580	1.00	1.00	1.00	11.7	3.4	690	1.00	1.00	1.00	1.00
		830	390	14.5	4.2	360	1.00	1.00	.00	13.8	4.0	460	1.00	1.00	1.00	13.0	3.8	570	1.00	1.00	1.00	12.1	3.5	690	1.00	1.00	1.00	1.00
		970	460	14.9	4.4	350	1.00	1.00	1.00	14.2	4.2	450	1.00	1.00	1.00	13.4	3.9	560	1.00	1.00	1.00	12.5	3.7	680	1.00	1.00	1.00	1.00
67°F (19.4°C)		725	345	14.0	4.1	370	.78	1.00	1.00	13.3	3.9	470	.81	1.00	1.00	12.6	3.7	580	.85	1.00	1.00	11.7	3.4	690	.89	1.00	1.00	1.00
		830	390	14.5	4.2	360	.82	1.00	1.00	13.8	4.0	460	.85	1.00	1.00	13.0	3.8	570	.90	1.00	1.00	12.1	3.5	680	.95	1.00	1.00	1.00
		970	460	14.9	4.4	350	.89	1.00	.00	14.2	4.2	450	.91	1.00	1.00	13.4	3.9	560	.97	1.00	1.00	12.5	3.7	680	1.00	1.00	1.00	1.00
71°F (21.7°C)		725	345	14.8	4.3	350	.53	.78	1.00	14.0	4.1	460	.55	.80	1.00	13.1	3.8	570	.56	.84	1.00	12.0	3.5	690	.58	.88	1.00	1.00
		830	390	15.1	4.4	350	.55	.81	1.00	14.3	4.2	450	.59	.85	1.00	13.3	3.9	570	.57	.89	1.00	12.3	3.6	680	.61	.94	1.00	1.00
		970	460	15.4	4.5	340	.56	.88	1.00	14.6	4.3	450	.59	.91	1.00	13.5	4.0	560	.61	.96	1.00	12.5	3.7	680	.64	1.00	1.00	1.00

4HP18V60P-50 (4 TON MODE) - BCE5V48M - MAXIMUM CAPACITY

Indoor Wet Bulb Temperature		Outdoor Air Temperature Entering Outdoor Coil																																	
		85° F (29.4° C)				95° F (35° C)				105° F (40.6° C)				115° F (46.1° C)				125° F (51.7° C)																	
		Total Cooling Capacity		Sensible To Total Ratio (S/T)		Total Cooling Capacity		Sensible To Total Ratio (S/T)		Total Cooling Capacity		Sensible To Total Ratio (S/T)		Total Cooling Capacity		Sensible To Total Ratio (S/T)		Total Cooling Capacity		Sensible To Total Ratio (S/T)															
cfm	L/s	kW	kBTuh	Comp. Motor Watts Input	75°F 23.9°C	80°F 26.7°C	85°F 29.4°C	Indoor Dry Bulb	75°F 23.9°C	80°F 26.7°C	85°F 29.4°C	Indoor Dry Bulb	75°F 23.9°C	80°F 26.7°C	85°F 29.4°C	Indoor Dry Bulb	75°F 23.9°C	80°F 26.7°C	85°F 29.4°C	Indoor Dry Bulb	75°F 23.9°C	80°F 26.7°C	85°F 29.4°C												
																								kW	kBTuh	kW	kBTuh	kW	kBTuh	kW	kBTuh	kW	kBTuh	kW	kBTuh
1455	685	44.5	13.0	2780	.95	1.00	1.00	42.5	12.5	3170	.97	1.00	1.00	41.0	12.0	3640	1.00	1.00	1.00	39.0	11.4	4220	1.00												
1730	815	470	13.8	2790	1.00	1.00	1.00	45.0	13.2	3180	1.00	1.00	43.0	12.6	3660	1.00	1.00	41.0	12.0	4240	1.00	1.00	1.00	39.0	11.4	4980	1.00	1.00	1.00	39.0	11.4	4980	1.00	1.00	1.00
1820	860	47.5	13.9	2790	1.00	1.00	1.00	45.5	13.3	3190	1.00	1.00	43.5	12.7	3660	1.00	1.00	41.5	12.2	4250	1.00	1.00	1.00	39.5	11.6	4990	1.00	1.00	1.00	39.5	11.6	4990	1.00	1.00	1.00
1455	685	46.0	13.5	2780	.77	.91	1.00	43.5	12.7	3180	.78	.94	41.5	12.2	3650	.80	.96	39.5	11.6	4230	.82	.99	1.00	37.2	10.9	4950	.85	1.00	1.00	37.2	10.9	4950	.85	1.00	1.00
1730	815	47.5	13.9	2790	.80	.97	1.00	45.0	13.2	3180	.83	.99	43.0	12.6	3660	.85	1.00	41.0	12.0	4250	.87	1.00	1.00	39.0	11.4	4990	.90	1.00	1.00	39.0	11.4	4990	.90	1.00	1.00
1820	860	48.0	14.1	2790	.82	.98	1.00	45.5	13.3	3190	.84	1.00	43.5	12.7	3660	.86	1.00	41.5	12.2	4250	.89	1.00	1.00	39.5	11.6	4990	.92	1.00	1.00	39.5	11.6	4990	.92	1.00	1.00
1455	685	48.0	14.1	2790	.60	.74	.88	46.0	13.5	3190	.61	.76	43.5	12.7	3660	.63	.78	41.5	12.2	4250	.64	.80	.96	39.0	11.4	4980	.65	.82	.99	39.0	11.4	4980	.65	.82	.99
1730	815	50.0	14.7	2790	.63	.78	.93	47.5	13.9	3190	.64	.79	45.0	13.2	3670	.65	.82	42.5	12.5	4260	.67	.85	1.00	40.0	11.7	5000	.68	.88	1.00	40.0	11.7	5000	.68	.88	1.00
1820	860	50.5	14.8	2790	.64	.79	.95	48.0	14.1	3190	.65	.82	45.5	13.3	3670	.66	.84	43.0	12.6	4270	.68	.87	1.00	40.5	11.9	5010	.69	.90	1.00	40.5	11.9	5010	.69	.90	1.00
1455	685	50.5	14.8	2790	.46	.59	.72	48.5	14.2	3190	.45	.59	46.0	13.5	3680	.46	.61	44.0	12.9	4280	.47	.62	.77	41.5	12.2	5020	.47	.64	.80	41.5	12.2	5020	.47	.64	.80
1730	815	52.0	15.2	2790	.47	.61	.76	49.5	14.5	3200	.47	.63	47.5	13.9	3680	.48	.64	45.0	13.2	4280	.49	.65	.83	42.5	12.5	5040	.49	.68	.85	42.5	12.5	5040	.49	.68	.85
1820	860	52.5	15.4	2800	.47	.62	.77	50.0	14.7	3200	.47	.64	47.5	13.9	3690	.48	.65	45.0	13.2	4290	.49	.66	.84	42.5	12.5	5030	.50	.69	.87	42.5	12.5	5030	.50	.69	.87

4HP18V60P-50 (4 TON MODE) - BCE5V48M - INTERMEDIATE CAPACITY

Indoor Wet Bulb Temperature		Outdoor Air Temperature Entering Outdoor Coil																														
		85° F (29.4° C)						95° F (35° C)						105° F (40.6° C)						115° F (46.1° C)						125° F (51.7° C)						
		Total Cooling Capacity		Sensible To Total Ratio (S/T)		Comp. Motor Watts Input	Indoor Dry Bulb	Total Cooling Capacity		Sensible To Total Ratio (S/T)		Comp. Motor Watts Input	Indoor Dry Bulb	Total Cooling Capacity		Sensible To Total Ratio (S/T)		Comp. Motor Watts Input	Indoor Dry Bulb	Total Cooling Capacity		Sensible To Total Ratio (S/T)		Comp. Motor Watts Input	Indoor Dry Bulb							
cfm	L/s	kW	kBTuh	75°F 23.9°C	80°F 26.7°C			85°F 29.4°C	kW	kBTuh	75°F 23.9°C			80°F 26.7°C	85°F 29.4°C	kW	kBTuh			75°F 23.9°C	80°F 26.7°C	85°F 29.4°C	kW			kBTuh	75°F 23.9°C	80°F 26.7°C	85°F 29.4°C	kW	kBTuh	75°F 23.9°C
						75°F 23.9°C	80°F 26.7°C					85°F 29.4°C	75°F 23.9°C					80°F 26.7°C	85°F 29.4°C					75°F 23.9°C	80°F 26.7°C							
59°F (15°C)	1040	490	31.8	9.3	1350			.96	1.00	1.00	30.6			9.0	1610	.98	1.00			1.00	29.4	8.6	1880			1.00	1.00	1.00	28.0	8.2	2180	1.00
59°F (15°C)	1200	565	33.4	9.8	1340	1.00	1.00	1.00	32.0	9.4	1600	1.00	1.00	1.00	30.6	9.0	1870	1.00	1.00	1.00	29.2	8.6	2170	1.00	1.00	1.00	27.6	8.1	2530	1.00	1.00	1.00
	1285	605	33.8	9.9	1350	1.00	1.00	1.00	32.4	9.5	1600	1.00	1.00	1.00	31.2	9.1	1870	1.00	1.00	1.00	29.8	8.7	2170	1.00	1.00	1.00	28.2	8.3	2520	1.00	1.00	1.00
63°F (17.2°C)	1040	490	32.6	9.6	1340	.78	.93	1.00	31.2	9.1	1610	.79	.95	1.00	29.6	8.7	1880	.81	.97	1.00	28.0	8.2	2180	.83	1.00	1.00	26.6	7.8	2530	.86	1.00	1.00
	1200	565	33.6	9.8	1340	.80	.97	1.00	32.2	9.4	1600	.83	1.00	30.6	9.0	1870	.85	1.00	1.00	29.2	8.6	2170	.87	1.00	1.00	27.6	8.1	2530	.91	1.00	1.00	
1285	605	34.0	10.0	1350	.83	1.00	1.00	32.6	9.6	1600	.84	1.00	31.2	9.1	1870	.87	1.00	1.00	29.8	8.7	2170	.90	1.00	1.00	28.0	8.2	2520	.93	1.00	1.00		
67°F (19.4°C)	1040	490	34.2	10.0	1350	.61	.75	.89	32.8	9.6	1600	.62	.77	.91	31.2	9.1	1870	.63	.78	.94	29.6	8.7	2170	.64	.81	.97	27.8	8.1	2520	.66	.83	1.00
	1200	565	35.2	10.3	1320	.63	.78	.94	33.8	9.9	1590	.63	.80	.97	32.0	9.4	1860	.64	.82	.99	30.4	8.9	2160	.67	.85	1.00	28.4	8.3	2520	.69	.89	1.00
1285	605	35.6	10.4	1320	.63	.80	.96	34.0	10.0	1580	.65	.82	.99	32.4	9.5	1860	.66	.84	1.00	30.8	9.0	2160	.68	.87	1.00	28.8	8.4	2510	.70	.91	1.00	
71°F (21.7°C)	1040	490	35.6	10.4	1320	.46	.59	.73	34.2	10.0	1580	.46	.61	.74	32.6	9.6	1850	.47	.62	.76	31.0	9.1	2160	.47	.63	.78	29.2	8.6	2510	.47	.65	.81
	1200	565	36.6	10.7	1310	.46	.62	.76	35.2	10.3	1570	.47	.62	.77	33.4	9.8	1850	.48	.64	.80	31.8	9.3	2150	.47	.66	.83	29.8	8.7	2500	.49	.68	.86
1285	605	37.0	10.8	1310	.47	.62	.77	35.4	10.4	1570	.47	.64	.80	33.8	9.9	1840	.48	.64	.82	32.0	9.4	2140	.49	.67	.85	30.2	8.9	2500	.50	.69	.88	

4HP18V60P-50 (4 TON MODE) - BCE5V48M - MINIMUM CAPACITY

Indoor Wet Bulb Temperature		Outdoor Air Temperature Entering Outdoor Coil																												
		75° F (23.9° C)						85° F (29.4° C)						95° F (35° C)						105° F (40.6° C)										
		Total Cooling Capacity		Sensible To Total Ratio (S/T)		Comp. Motor Watts Input		Total Cooling Capacity		Sensible To Total Ratio (S/T)		Comp. Motor Watts Input		Total Cooling Capacity		Sensible To Total Ratio (S/T)		Comp. Motor Watts Input		Total Cooling Capacity		Sensible To Total Ratio (S/T)								
cfm	L/s	kBTuh	kW	75°F 23.9°C	80°F 26.7°C	85°F 29.4°C	kBTuh	kW	75°F 23.9°C	80°F 26.7°C	85°F 29.4°C	kBTuh	kW	75°F 23.9°C	80°F 26.7°C	85°F 29.4°C	kBTuh	kW	75°F 23.9°C	80°F 26.7°C	85°F 29.4°C									
59°F (15°C)		1040	490	25.0	7.3	820	1.00	1.00	1.00	1.00	1.00	23.8	7.0	1050	1.00	1.00	1.00	22.6	6.6	1280	1.00	1.00	1.00	21.4	6.3	1510	1.00	1.00	1.00	
		1200	565	25.8	7.6	820	1.00	1.00	1.00	1.00	1.00	24.6	7.2	1050	1.00	1.00	1.00	23.6	6.9	1290	1.00	1.00	1.00	22.2	6.5	1520	1.00	1.00	1.00	
		1285	605	26.2	7.7	820	1.00	1.00	1.00	1.00	1.00	25.0	7.3	1060	1.00	1.00	1.00	23.8	7.0	1300	1.00	1.00	1.00	22.6	6.6	1530	1.00	1.00	1.00	
63°F (17.2°C)		1040	490	25.0	7.3	820	.89	1.00	1.00	.92	1.00	23.8	7.0	1050	.92	1.00	1.00	22.8	6.7	1280	.95	1.00	1.00	21.6	6.3	1510	.99	1.00	1.00	
		1200	565	25.8	7.6	820	.94	1.00	1.00	.97	1.00	24.6	7.2	1050	.97	1.00	1.00	23.6	6.9	1290	1.00	1.00	1.00	22.2	6.5	1520	1.00	1.00	1.00	
		1285	605	26.2	7.7	820	.97	1.00	1.00	.99	1.00	25.0	7.3	1060	.99	1.00	1.00	23.8	7.0	1300	1.00	1.00	1.00	22.6	6.6	1530	1.00	1.00	1.00	
67°F (19.4°C)		1040	490	25.8	7.6	820	.68	.87	1.00	.69	.90	1.00	24.6	7.2	1050	.69	.90	1.00	23.2	6.8	1290	.71	.93	1.00	21.8	6.4	1520	.74	.96	1.00
		1200	565	26.4	7.7	820	.70	.92	1.00	.72	.95	1.00	25.0	7.3	1060	.72	.95	1.00	23.6	6.9	1290	.75	.98	1.00	22.2	6.5	1520	.77	1.00	1.00
		1285	605	26.6	7.8	820	.72	.94	1.00	.74	.97	1.00	25.2	7.4	1060	.74	.97	1.00	23.8	7.0	1300	.76	1.00	1.00	22.6	6.6	1530	.79	1.00	1.00
71°F (21.7°C)		1040	490	27.0	7.9	820	.48	.67	.84	.49	.69	.87	24.4	7.2	1060	.49	.69	.87	24.4	7.2	1300	.50	.70	.90	23.0	6.7	1530	.51	.73	.94
		1200	565	27.6	8.1	830	.50	.70	.90	.50	.72	.93	24.8	7.3	1070	.50	.72	.93	24.8	7.3	1310	.52	.74	.96	23.4	6.9	1540	.53	.76	.99
		1285	605	27.8	8.1	830	.50	.71	.92	.51	.73	.95	26.4	7.7	1070	.51	.73	.95	25.0	7.3	1310	.52	.76	.99	23.6	6.9	1550	.54	.79	1.00

COOLING PERFORMANCE EXTENDED RATINGS

4HP18V60P-50 (5 TON MODE) - BCE5V60M - MAXIMUM CAPACITY

Indoor Wet Bulb Temperature		Outdoor Air Temperature Entering Outdoor Coil																																					
		85° F (29.4° C)				95° F (35° C)				105° F (40.6° C)				115° F (46.1° C)				125° F (51.7° C)																					
		Total Cooling Capacity		Sensible To Total Ratio (S/T)		Total Cooling Capacity		Sensible To Total Ratio (S/T)		Total Cooling Capacity		Sensible To Total Ratio (S/T)		Total Cooling Capacity		Sensible To Total Ratio (S/T)		Total Cooling Capacity		Sensible To Total Ratio (S/T)																			
cfm	L/s	kW	kBTuh	Comp. Motor Watts Input	75°F 23.9°C	80°F 26.7°C	85°F 29.4°C	Indoor Dry Bulb	75°F 23.9°C	80°F 26.7°C	85°F 29.4°C	Indoor Dry Bulb	75°F 23.9°C	80°F 26.7°C	85°F 29.4°C	Indoor Dry Bulb	75°F 23.9°C	80°F 26.7°C	85°F 29.4°C	Indoor Dry Bulb	75°F 23.9°C	80°F 26.7°C	85°F 29.4°C																
																								kW	kBTuh	kW	kBTuh	kW	kBTuh	kW	kBTuh	kW	kBTuh	kW	kBTuh				
1605	755	53.5	15.7	3760	.90	1.00	1.00	.92	1.00	1.00	1.00	49.0	14.4	4810	.95	1.00	1.00	.98	1.00	1.00	44.0	12.9	6340													1.00	1.00	1.00	1.00
1840	865	56.0	16.4	3780	.94	1.00	1.00	.96	1.00	1.00	1.00	1.00	51.5	15.1	4840	.99	1.00	1.00	.99	1.00	1.00	1.00	1.00	48.5	14.2	5540	1.00	1.00	1.00	1.00	46.0	13.5	6390	1.00	1.00	1.00	1.00		
2030	960	57.5	16.9	3800	.97	1.00	1.00	1.00	.99	1.00	1.00	1.00	55.5	16.3	4280	.99	1.00	1.00	1.00	1.00	1.00	1.00	1.00	1.00	50.0	14.7	5570	1.00	1.00	1.00	1.00	47.0	13.8	6420	1.00	1.00	1.00	1.00	
1605	755	56.0	16.4	3780	.73	.87	.99	.87	.75	.89	1.00	1.00	50.5	14.8	4830	.77	.91	1.00	.77	.91	1.00	1.00	1.00	1.00	47.5	13.9	5520	.78	.94	1.00	.94	1.00	44.5	13.0	6350	.82	.98	1.00	1.00
1840	865	57.5	16.9	3800	.76	.90	1.00	.90	.78	.93	1.00	1.00	52.0	15.2	4850	.80	.96	1.00	.80	.96	1.00	1.00	1.00	1.00	49.0	14.4	5550	.82	.99	1.00	.99	1.00	46.0	13.5	6390	.85	1.00	1.00	1.00
2030	960	59.0	17.3	3800	.78	.94	1.00	.94	.80	.96	1.00	1.00	56.0	16.4	4280	.80	.96	1.00	.82	.99	1.00	1.00	1.00	1.00	50.0	14.7	5570	.85	1.00	1.00	1.00	47.0	13.8	6420	.88	1.00	1.00	1.00	
1605	755	59.0	17.3	3800	.59	.71	.83	.59	.73	.85	.88	.88	56.5	16.6	4290	.59	.73	.85	.60	.74	.88	.88	.88	.88	50.5	14.8	5570	.61	.76	.90	.76	.90	47.0	13.8	6420	.63	.79	.94	.94
1840	865	60.5	17.7	3820	.61	.74	.87	.61	.75	.89	.89	.89	58.0	17.0	4300	.61	.75	.89	.62	.77	.92	.92	.92	.92	52.0	15.2	5600	.63	.80	.95	.80	.95	48.5	14.2	6450	.65	.83	.99	.99
2030	960	62.0	18.2	3830	.61	.76	.90	.61	.76	.89	.90	.90	59.5	17.4	4310	.62	.78	.92	.64	.80	.95	.95	.95	.95	53.0	15.5	5610	.65	.82	.99	.82	.99	49.0	14.4	6470	.67	.86	1.00	1.00
1605	755	62.5	18.3	3850	.45	.57	.68	.45	.58	.70	.70	.70	59.5	17.4	4320	.45	.59	.72	.45	.59	.72	.72	.72	.72	53.5	15.7	5630	.46	.60	.74	.60	.74	50.0	14.7	6500	.47	.62	.76	.76
1840	865	64.5	18.9	3840	.46	.59	.71	.46	.59	.73	.73	.73	61.5	18.0	4330	.46	.60	.73	.46	.61	.75	.75	.75	.75	55.0	16.1	5660	.47	.62	.77	.62	.77	51.0	14.9	6530	.48	.64	.80	.80
2030	960	65.5	19.2	3840	.46	.60	.73	.46	.60	.75	.75	.75	62.5	18.3	4340	.46	.61	.75	.46	.61	.75	.75	.75	.75	56.0	16.4	5670	.48	.64	.80	.64	.80	52.0	15.2	6550	.48	.66	.83	.83

COOLING PERFORMANCE EXTENDED RATINGS

4HP18V60P-50 (5 TON MODE) - BCE5V60M - INTERMEDIATE CAPACITY

Indoor Wet Bulb Temperature		Outdoor Air Temperature Entering Outdoor Coil																								
		85° F (29.4° C)				95° F (35° C)				105° F (40.6° C)				115° F (46.1° C)				125° F (51.7° C)								
		Total Cooling Capacity		Sensible To Total Ratio (S/T)		Total Cooling Capacity		Sensible To Total Ratio (S/T)		Total Cooling Capacity		Sensible To Total Ratio (S/T)		Total Cooling Capacity		Sensible To Total Ratio (S/T)		Total Cooling Capacity		Sensible To Total Ratio (S/T)						
cfm	L/s	kBtuh	kW	Comp. Motor Watts Input	Indoor Dry Bulb	75°F / 23.9°C	80°F / 26.7°C	85°F / 29.4°C	75°F / 23.9°C	80°F / 26.7°C	85°F / 29.4°C	75°F / 23.9°C	80°F / 26.7°C	85°F / 29.4°C	75°F / 23.9°C	80°F / 26.7°C	85°F / 29.4°C	75°F / 23.9°C	80°F / 26.7°C	85°F / 29.4°C						
59°F (15°C)	1110	525	34.6	10.1	1570	.95	1.00	1.00	33.4	9.8	1840	.98	1.00	1.00	32.0	9.4	2130	1.00	1.00	1.00	29.4	8.6	2850	1.00	1.00	1.00
	1210	570	35.6	10.4	1570	.98	1.00	1.00	34.2	10.0	1840	1.00	1.00	1.00	32.8	9.6	2120	1.00	1.00	1.00	29.4	8.9	2840	1.00	1.00	1.00
	1380	650	37.0	10.8	1560	1.00	1.00	1.00	35.6	10.4	1830	1.00	1.00	1.00	34.2	10.0	2120	1.00	1.00	1.00	29.4	9.1	2830	1.00	1.00	1.00
63°F (17.2°C)	1110	525	35.6	10.4	1570	.77	.92	1.00	34.0	10.0	1840	.79	.94	1.00	32.4	9.5	2130	.81	.97	1.00	29.4	8.6	2840	.85	1.00	1.00
	1210	570	36.2	10.6	1560	.79	.95	1.00	34.6	10.1	1840	.81	.97	1.00	33.0	9.7	2120	.83	1.00	1.00	29.4	8.9	2840	.87	1.00	1.00
	1380	650	37.2	10.9	1560	.83	.99	1.00	35.6	10.4	1830	.85	1.00	34.2	10.0	2120	.87	1.00	1.00	29.4	9.2	2840	.92	1.00	1.00	
67°F (19.4°C)	1110	525	37.4	11.0	1550	.60	.75	.88	35.8	10.5	1820	.62	.76	.91	34.2	10.0	2120	.63	.78	.93	29.4	9.1	2840	.65	.82	.99
	1210	570	38.0	11.1	1550	.62	.77	.91	36.4	10.7	1820	.63	.79	.94	34.8	10.2	2110	.64	.81	.97	29.4	9.3	2840	.67	.85	1.00
	1380	650	39.0	11.4	1540	.64	.80	.96	37.2	10.9	1810	.65	.82	.99	35.6	10.4	2110	.66	.84	1.00	29.4	9.4	2830	.69	1.00	1.00
71°F (21.7°C)	1110	525	39.5	11.6	1530	.45	.58	.72	37.6	11.0	1810	.45	.60	.74	36.0	10.6	2100	.46	.61	.76	29.4	9.6	2830	.47	.64	.80
	1210	570	40.0	11.7	1530	.45	.61	.75	38.0	11.1	1800	.47	.62	.76	36.6	10.7	2100	.47	.63	.78	29.4	9.8	2820	.48	.66	.83
	1380	650	41.0	12.0	1520	.47	.63	.78	39.0	11.4	1790	.48	.64	.80	37.4	11.0	2090	.48	.66	.82	29.4	10.0	2810	.49	.69	.87

COOLING PERFORMANCE EXTENDED RATINGS

4HP18V60P-50 (5 TON MODE) - BCE5V60M - MINIMUM CAPACITY

Indoor Wet Bulb Temperature		Total Air Volume		Outdoor Air Temperature Entering Outdoor Coil																						
				75° F (23.9° C)				85° F (29.4° C)				95° F (35° C)				105° F (40.6° C)										
				Total Cooling Capacity		Sensible To Total Ratio (S/T)		Total Cooling Capacity		Sensible To Total Ratio (S/T)		Total Cooling Capacity		Sensible To Total Ratio (S/T)		Total Cooling Capacity		Sensible To Total Ratio (S/T)								
cfm	L/s	kBTuh	kW	Comp. Motor Watts Input	Indoor Dry Bulb	75°F 23.9°C	80°F 26.7°C	85°F 29.4°C	kBTuh	kW	Comp. Motor Watts Input	Indoor Dry Bulb	75°F 23.9°C	80°F 26.7°C	85°F 29.4°C	kBTuh	kW	Comp. Motor Watts Input	Indoor Dry Bulb	75°F 23.9°C	80°F 26.7°C	85°F 29.4°C				
59°F (15°C)	1110	525	24.6	7.2	880	1.00	1.00	1.00	23.4	6.9	1110	1.00	1.00	1.00	22.2	6.5	1340	1.00	1.00	1.00	21.0	6.2	1560	1.00	1.00	1.00
	1210	570	25.2	7.4	890	1.00	1.00	1.00	24.0	7.0	1120	1.00	1.00	1.00	22.8	6.7	1350	1.00	1.00	1.00	21.6	6.3	1570	1.00	1.00	1.00
	1380	650	26.0	7.6	890	1.00	1.00	1.00	24.6	7.2	1130	1.00	1.00	1.00	23.4	6.9	1360	1.00	1.00	1.00	22.2	6.5	1580	1.00	1.00	1.00
63°F (17.2°C)	1110	525	24.6	7.2	880	.94	1.00	1.00	23.4	6.9	1110	.97	1.00	1.00	22.2	6.5	1340	1.00	1.00	1.00	21.0	6.2	1560	1.00	1.00	1.00
	1210	570	25.2	7.4	890	.98	1.00	1.00	24.0	7.0	1120	1.00	1.00	1.00	22.8	6.7	1350	1.00	1.00	1.00	21.6	6.3	1570	1.00	1.00	1.00
	1380	650	26.0	7.6	890	1.00	1.00	1.00	24.8	7.3	1130	1.00	1.00	1.00	23.4	6.9	1360	1.00	1.00	1.00	22.2	6.5	1580	1.00	1.00	1.00
67°F (19.4°C)	1110	525	25.2	7.4	890	.70	.92	1.00	23.8	7.0	1110	.73	.95	1.00	22.4	6.6	1340	.75	.98	1.00	21.2	6.2	1560	.78	1.00	1.00
	1210	570	25.4	7.4	890	.73	.96	1.00	24.0	7.0	1120	.75	.99	1.00	22.8	6.7	1350	.78	1.00	1.00	21.6	6.3	1570	.81	1.00	1.00
	1380	650	26.0	7.6	890	.77	1.00	1.00	24.8	7.3	1130	.79	1.00	1.00	23.4	6.9	1360	.82	1.00	1.00	22.2	6.5	1580	.85	1.00	1.00
71°F (21.7°C)	1110	525	26.6	7.8	900	.50	.70	.89	25.2	7.4	1130	.51	.72	.92	23.6	6.9	1360	.51	.74	.96	22.2	6.5	1590	.52	.77	1.00
	1210	570	27.0	7.9	900	.51	.72	.93	25.4	7.4	1140	.51	.74	.96	24.0	7.0	1370	.53	.77	1.00	22.4	6.6	1590	.54	.80	1.00
	1380	650	27.4	8.0	910	.52	.76	.99	25.8	7.6	1140	.53	.79	1.00	24.4	7.2	1380	.55	.81	1.00	22.8	6.7	1600	.56	.85	1.00

HEATING PERFORMANCE EXTENDED RATINGS

4HP18V36P-50 (2 TON MODE) - BCE5V24M - INDOOR COIL AT 65°F DRY BULB

MINIMUM CAPACITY

Indoor Coil Air Volume 65°F db (28°C db)		Air Temperature Entering Outdoor Coil											
		65°F (18°C)		60°F (16°C)		55°F (13°C)		50°F (10°C)					
		Total Heating Capacity		Comp. Motor Watts Input		Total Heating Capacity		Comp. Motor Watts Input		Total Heating Capacity		Comp. Motor Watts Input	
CFM	L/s	kBtuh	kW	kBtuh	kW	kBtuh	kW	kBtuh	kW	kBtuh	kW	kBtuh	kW
450	210	11.7	3.4	510	10.9	3.2	525	10.1	3.0	535	9.4	2.8	545
600	285	11.9	3.5	460	11.2	3.3	470	10.4	3.0	485	9.6	2.8	495
700	330	12.3	3.6	435	11.5	3.4	450	10.8	3.2	460	10.0	2.9	475

MAXIMUM CAPACITY

Indoor Coil Air Volume 65°F db (28°C db)		Air Temperature Entering Outdoor Coil														
		65°F (18°C)		45°F (7°C)		25°F (-4°C)		5°F (-15°C)		-15°F (-28°C)						
		Total Heating Capacity		Comp. Motor Watts Input		Total Heating Capacity		Comp. Motor Watts Input		Total Heating Capacity		Comp. Motor Watts Input				
CFM	L/s	kBtuh	kW	kBtuh	kW	kBtuh	kW	kBtuh	kW	kBtuh	kW	kBtuh	kW			
670	315	31.1	9.1	2375	24.9	7.3	2145	18.7	5.5	1880	11.9	3.5	1770	5.8	1.7	1330
820	385	31.7	9.3	2245	25.5	7.5	2015	19.3	5.7	1750	12.5	3.7	1640	6.4	1.9	1200
1050	495	33.0	9.7	2125	26.7	7.8	1895	20.6	6.0	1630	13.7	4.0	1520	7.6	2.2	1080

Outdoor Temp.	°F	65	60	55	50	47	45	40	35	30	25	20	17	15	10	5	0	-5	-10	-15	-20
	°C	18	16	13	10	8	7	4	2	-1	-4	-7	-8	-9	-12	-15	-18	-21	-23	-26	-29
Compressor Motor kW Input		2.25	2.2	2.16	2.11	2.09	2.02	1.85	1.68	1.72	1.75	1.79	1.82	1.8	1.75	1.64	1.53	1.42	1.31	1.2	1.09
Total Output	kBtuh	31.7	30.1	28.5	26.9	25.9	25.5	24.3	23.2	21.2	19.3	17.4	16.3	15.6	14	12.5	11	9.5	7.9	6.4	4.9
	kW	9.3	8.8	8.4	7.9	7.6	7.5	7.1	6.8	6.2	5.7	5.1	4.8	4.6	4.1	3.7	3.2	2.8	2.3	1.9	1.4

	Inputs					
	Cap		Watts		Watts	
	Low		Med		High	
CFM	450		600		700	
62°F Low	11195.692		518.136		11459.247	
47°F Low	---		---		9177.474	
CFM	670		820		1050	
47°F	25316.816		2212.971		25946.339	
35°F	---		---		23157.667	
17°F	---		---		16283.057	

HEATING PERFORMANCE EXTENDED RATINGS

4HP18V36P-50 (2 TON MODE) - BCE5V24M - INDOOR COIL AT 70°F DRY BULB

MINIMUM CAPACITY

Indoor Coil Air Volume 70°F db (28°C db)		Air Temperature Entering Outdoor Coil																
		65°F (18°C)				60°F (16°C)				55°F (13°C)				50°F (10°C)				
		Total Heating Capacity		Comp. Motor Watts Input		Total Heating Capacity		Comp. Motor Watts Input		Total Heating Capacity		Comp. Motor Watts Input		Total Heating Capacity		Comp. Motor Watts Input		
CFM	L/s	kBtuh	kW	kBtuh	kW	kBtuh	kW	kBtuh	kW	kBtuh	kW	kBtuh	kW	kBtuh	kW	kBtuh	kW	
450	210	11.4	3.3	555	10.7	3.1	565	10.0	2.9	580	9.2	2.7	590	9.2	2.7	590	9.2	2.7
600	285	11.7	3.4	505	10.9	3.2	515	10.2	3.0	525	9.4	2.8	540	9.4	2.8	540	9.4	2.8
700	330	12.1	3.5	480	11.3	3.3	490	10.6	3.1	505	9.8	2.9	515	9.8	2.9	515	9.8	2.9

MAXIMUM CAPACITY

Indoor Coil Air Volume 70°F db (28°C db)		Air Temperature Entering Outdoor Coil																			
		65°F (18°C)				45°F (7°C)				25°F (-4°C)				5°F (-15°C)				-15°F (-28°C)			
		Total Heating Capacity		Comp. Motor Watts Input		Total Heating Capacity		Comp. Motor Watts Input		Total Heating Capacity		Comp. Motor Watts Input		Total Heating Capacity		Comp. Motor Watts Input		Total Heating Capacity		Comp. Motor Watts Input	
CFM	L/s	kBtuh	kW	kBtuh	kW	kBtuh	kW	kBtuh	kW	kBtuh	kW	kBtuh	kW	kBtuh	kW	kBtuh	kW	kBtuh	kW		
670	315	30.5	8.9	2485	24.4	7.2	2240	18.4	5.4	1960	11.7	3.4	1835	5.7	1.7	1375	5.7	1.7	1375		
820	385	31.1	9.1	2360	25.0	7.3	2115	19.0	5.6	1835	12.3	3.6	1710	6.3	1.8	1250	6.3	1.8	1250		
1050	495	32.4	9.5	2240	26.2	7.7	1990	20.2	5.9	1710	13.5	4.0	1590	7.5	2.2	1130	7.5	2.2	1130		

Outdoor Temp.	°F	65	60	55	50	47	45	40	35	30	25	20	17	15	10	5	0	-5	-10	-15	-20
	°C	18	16	13	10	8	7	4	2	-1	-4	-7	-8	-9	-12	-15	-18	-21	-23	-26	-29
Compressor Motor kW Input		2.36	2.31	2.27	2.22	2.19	2.12	1.94	1.76	1.8	1.84	1.87	1.9	1.88	1.83	1.71	1.6	1.48	1.37	1.25	1.14
Total Output	kBtuh	31.1	29.6	28	26.4	25.5	25	23.9	22.8	20.9	19	17.1	16	15.4	13.8	12.3	10.8	9.3	7.8	6.3	4.8
	kW	9.1	8.7	8.2	7.7	7.5	7.3	7.0	6.7	6.1	5.6	5.0	4.7	4.5	4.0	3.6	3.2	2.7	2.3	1.8	1.4

	Inputs					
	Cap		Watts		Watts	
	Low		Med		High	
CFM	450		600		700	
62°F Low	10996.117		561.174		11206.555	
47°F Low	---		---		8986.674	
CFM	670		820		1050	
47°F	24866.759		2310.575		25466.795	
35°F	---		---		22762.965	
17°F	---		---		15999.268	

HEATING PERFORMANCE EXTENDED RATINGS

4HP18V36P-50 (2 TON MODE) - BCE5V24M - INDOOR COIL AT 75°F DRY BULB

MINIMUM CAPACITY

Indoor Coil Air Volume 75°F db (28°C db)		Air Temperature Entering Outdoor Coil											
		65°F (18°C)		60°F (16°C)		55°F (13°C)		50°F (10°C)					
		Total Heating Capacity		Comp. Motor Watts Input		Total Heating Capacity		Comp. Motor Watts Input		Total Heating Capacity		Comp. Motor Watts Input	
CFM	L/s	kBtuh	kW	kBtuh	kW	kBtuh	kW	kBtuh	kW	kBtuh	kW	kBtuh	kW
450	210	11.2	3.3	600	10.4	3.0	610	9.7	2.8	620	9.0	2.6	630
600	285	11.4	3.3	550	10.7	3.1	560	10.0	2.9	570	9.2	2.7	580
700	330	11.8	3.5	525	11.1	3.3	535	10.4	3.0	545	9.6	2.8	560

MAXIMUM CAPACITY

Indoor Coil Air Volume 75°F db (28°C db)		Air Temperature Entering Outdoor Coil														
		65°F (18°C)		45°F (7°C)		25°F (-4°C)		5°F (-15°C)		-15°F (-28°C)						
		Total Heating Capacity		Comp. Motor Watts Input		Total Heating Capacity		Comp. Motor Watts Input		Total Heating Capacity		Comp. Motor Watts Input				
CFM	L/s	kBtuh	kW	kBtuh	kW	kBtuh	kW	kBtuh	kW	kBtuh	kW	kBtuh	kW			
670	315	30.0	8.8	2600	24.0	7.0	2340	18.1	5.3	2050	11.5	3.4	1915	5.6	1.6	1435
820	385	30.6	9.0	2465	24.6	7.2	2210	18.7	5.5	1915	12.1	3.5	1785	6.2	1.8	1305
1050	495	31.8	9.3	2350	25.7	7.5	2090	19.9	5.8	1800	13.3	3.9	1665	7.4	2.2	1185

Outdoor Temp.	°F	65	60	55	50	47	45	40	35	30	25	20	17	15	10	5	0	-5	-10	-15	-20
	°C	18	16	13	10	8	7	4	2	-1	-4	-7	-8	-9	-12	-15	-18	-21	-23	-26	-29
Compressor Motor kW Input		2.47	2.42	2.37	2.32	2.28	2.21	2.03	1.85	1.88	1.92	1.96	1.98	1.96	1.91	1.79	1.67	1.55	1.43	1.31	1.19
Total Output	kBtuh	30.6	29	27.5	25.9	25	24.6	23.5	22.4	20.5	18.7	16.8	15.7	15.1	13.6	12.1	10.6	9.1	7.7	6.2	4.7
	kW	9.0	8.5	8.1	7.6	7.3	7.2	6.9	6.6	6.0	5.5	4.9	4.6	4.4	4.0	3.5	3.1	2.7	2.3	1.8	1.4

	Inputs					
	Cap		Watts		Watts	
	Low		Med		High	
CFM	450		600		700	
62°F Low	10728.34		6071.19		10985.494	
47°F Low	---		---		8781.391	
CFM	670		820		1050	
47°F	24402.674		2414.534		25006.736	
35°F	---		---		22382.359	
17°F	---		---		15729.358	

HEATING PERFORMANCE EXTENDED RATINGS

4HP18V36P-50 (3 TON MODE) - BCE5V36M - INDOOR COIL AT 65°F DRY BULB

MINIMUM CAPACITY

Indoor Coil Air Volume 65°F db (28°C db)		Air Temperature Entering Outdoor Coil																
		65°F (18°C)				60°F (16°C)				55°F (13°C)				50°F (10°C)				
		Total Heating Capacity		Comp. Motor Watts Input		Total Heating Capacity		Comp. Motor Watts Input		Total Heating Capacity		Comp. Motor Watts Input		Total Heating Capacity		Comp. Motor Watts Input		
CFM	L/s	kBtuh	kW	kBtuh	kW	kBtuh	kW	kBtuh	kW	kBtuh	kW	kBtuh	kW	kBtuh	kW	kBtuh	kW	
726	345	12.5	3.7	345	11.7	3.4	360	10.9	3.2	375	10.1	3.0	395	10.1	3.0	395	10.1	3.0
831	390	12.5	3.7	330	11.7	3.4	345	10.9	3.2	360	10.1	3.0	375	10.1	3.0	395	10.1	3.0
970	460	12.7	3.7	315	12.0	3.5	330	11.2	3.3	345	10.4	3.0	360	10.4	3.0	375	10.4	3.0

MAXIMUM CAPACITY

Indoor Coil Air Volume 65°F db (28°C db)		Air Temperature Entering Outdoor Coil																			
		65°F (18°C)				45°F (7°C)				25°F (-4°C)				5°F (-15°C)				-15°F (-28°C)			
		Total Heating Capacity		Comp. Motor Watts Input		Total Heating Capacity		Comp. Motor Watts Input		Total Heating Capacity		Comp. Motor Watts Input		Total Heating Capacity		Comp. Motor Watts Input		Total Heating Capacity		Comp. Motor Watts Input	
CFM	L/s	kBtuh	kW	kBtuh	kW	kBtuh	kW	kBtuh	kW	kBtuh	kW	kBtuh	kW	kBtuh	kW	kBtuh	kW	kBtuh	kW		
1050	495	41.8	12.3	2760	33.3	9.8	2435	24.7	7.2	2075	16.5	4.8	1880	8.1	2.4	1415	8.1	2.4	1415		
1216	575	42.5	12.5	2665	33.9	9.9	2340	25.3	7.4	1980	17.1	5.0	1785	8.7	2.5	1315	8.7	2.5	1315		
1385	655	43.4	12.7	2590	34.8	10.2	2265	26.2	7.7	1910	18.0	5.3	1715	9.6	2.8	1245	9.6	2.8	1245		

Outdoor Temp.	°F	65	60	55	50	47	45	40	35	30	25	20	17	15	10	5	0	-5	-10	-15	-20
	°C	18	16	13	10	8	7	4	2	-1	-4	-7	-8	-9	-12	-15	-18	-21	-23	-26	-29
Compressor Motor kW Input		2.67	2.60	2.53	2.46	2.42	2.34	2.15	1.96	1.97	1.98	2.00	2.00	1.98	1.91	1.79	1.67	1.55	1.44	1.32	1.20
Total Output	kBtuh	42.5	40.3	38.2	36.1	34.8	33.9	31.6	29.3	27.3	25.3	23.3	22.1	21.3	19.2	17.1	15	12.9	10.8	8.7	6.6
	kW	12.5	11.8	11.2	10.6	10.2	9.9	9.3	8.6	8.0	7.4	6.8	6.5	6.2	5.6	5.0	4.4	3.8	3.2	2.5	1.9

	Inputs					
	Cap		Watts		Watts	
	Low		Med		High	
CFM	726		831		970	
62°F Low	12003.304		355.082		12006.137	
47°F Low	---		---		9670.622	
CFM	1050		1216		1385	
47°F	34200.948		2510.592		34836.619	
35°F	---		---		29281.329	
17°F	---		---		22139.648	

HEATING PERFORMANCE EXTENDED RATINGS

4HP18V36P-50 (3 TON MODE) - BCE5V36M - INDOOR COIL AT 70°F DRY BULB

MINIMUM CAPACITY

Indoor Coil Air Volume 70°F db (28°C db)		Air Temperature Entering Outdoor Coil											
		65°F (18°C)		60°F (16°C)		55°F (13°C)		50°F (10°C)					
		Total Heating Capacity		Comp. Motor Watts Input		Total Heating Capacity		Comp. Motor Watts Input		Total Heating Capacity		Comp. Motor Watts Input	
CFM	L/s	kBtuh	kW	kBtuh	kW	kBtuh	kW	kBtuh	kW	kBtuh	kW	kBtuh	kW
726	345	12.2	3.6	390	11.5	3.4	400	10.7	3.1	415	9.9	2.9	430
831	390	12.2	3.6	370	11.5	3.4	385	10.7	3.1	395	9.9	2.9	410
970	460	12.6	3.7	355	11.8	3.5	370	11.0	3.2	385	10.3	3.0	400

MAXIMUM CAPACITY

Indoor Coil Air Volume 70°F db (28°C db)		Air Temperature Entering Outdoor Coil														
		65°F (18°C)		45°F (7°C)		25°F (-4°C)		5°F (-15°C)		-15°F (-28°C)						
		Total Heating Capacity		Comp. Motor Watts Input		Total Heating Capacity		Comp. Motor Watts Input		Total Heating Capacity		Comp. Motor Watts Input				
CFM	L/s	kBtuh	kW	kBtuh	kW	kBtuh	kW	kBtuh	kW	kBtuh	kW	kBtuh	kW			
1050	495	40.9	12.0	2890	32.6	9.6	2535	24.3	7.1	2150	16.2	4.7	1930	7.9	2.3	1450
1216	575	41.6	12.2	2805	33.3	9.8	2450	25.0	7.3	2065	16.9	5.0	1850	8.6	2.5	1365
1385	655	42.5	12.5	2735	34.2	10.0	2380	25.9	7.6	1995	17.8	5.2	1780	9.5	2.8	1295

Outdoor Temp.	°F	65	60	55	50	47	45	40	35	30	25	20	17	15	10	5	0	-5	-10	-15	-20
	°C	18	16	13	10	8	7	4	2	-1	-4	-7	-8	-9	-12	-15	-18	-21	-23	-26	-29
Compressor Motor kW Input		2.81	2.73	2.66	2.58	2.53	2.45	2.26	2.06	2.06	2.07	2.08	2.08	2.05	1.97	1.85	1.73	1.61	1.49	1.37	1.25
Total Output	kBtuh	41.6	39.5	37.5	35.4	34.2	33.3	31.1	28.9	26.9	25	23	21.8	21	19	16.9	14.8	12.8	10.7	8.6	6.6
	kW	12.2	11.6	11.0	10.4	10.0	9.8	9.1	8.5	7.9	7.3	6.7	6.4	6.2	5.6	5.0	4.3	3.8	3.1	2.5	1.9

	Inputs					
	Cap		Watts		Watts	
	Low		Med		High	
CFM	726		831		970	
62°F Low	11769.418		396.542		11779.34	
47°F Low	---		---		9484.096	
CFM	1050		1216		1385	
47°F	33478.862		2614.818		34171.371	
35°F	---		---		28870.357	
17°F	---		---		21834.423	

HEATING PERFORMANCE EXTENDED RATINGS

4HP18V36P-50 (3 TON MODE) - BCE5V36M - INDOOR COIL AT 75°F DRY BULB

MINIMUM CAPACITY

Indoor Coil Air Volume 75°F db (28°C db)		Air Temperature Entering Outdoor Coil																
		65°F (18°C)				60°F (16°C)				55°F (13°C)				50°F (10°C)				
		Total Heating Capacity		Comp. Motor Watts Input		Total Heating Capacity		Comp. Motor Watts Input		Total Heating Capacity		Comp. Motor Watts Input		Total Heating Capacity		Comp. Motor Watts Input		
CFM	L/s	kBtuh	kW	kBtuh	kW	kBtuh	kW	kBtuh	kW	kBtuh	kW	kBtuh	kW	kBtuh	kW	kBtuh	kW	
726	345	12.0	3.5	425	11.3	3.3	440	10.5	3.1	455	9.7	2.8	465	9.7	2.8	465	9.7	2.8
831	390	12.1	3.5	410	11.3	3.3	425	10.5	3.1	440	9.7	2.8	450	9.7	2.8	450	9.7	2.8
970	460	12.3	3.6	395	11.6	3.4	410	10.8	3.2	425	10.0	2.9	435	10.0	2.9	435	10.0	2.9

MAXIMUM CAPACITY

Indoor Coil Air Volume 75°F db (28°C db)		Air Temperature Entering Outdoor Coil																			
		65°F (18°C)				45°F (7°C)				25°F (-4°C)				5°F (-15°C)				-15°F (-28°C)			
		Total Heating Capacity		Comp. Motor Watts Input		Total Heating Capacity		Comp. Motor Watts Input		Total Heating Capacity		Comp. Motor Watts Input		Total Heating Capacity		Comp. Motor Watts Input		Total Heating Capacity		Comp. Motor Watts Input	
CFM	L/s	kBtuh	kW	kBtuh	kW	kBtuh	kW	kBtuh	kW	kBtuh	kW	kBtuh	kW	kBtuh	kW	kBtuh	kW	kBtuh	kW		
1050	495	40.0	11.7	3015	32.0	9.4	2645	23.9	7.0	2245	16.0	4.7	2010	7.9	2.3	1510	7.9	2.3	1510		
1216	575	40.6	11.9	2925	32.6	9.6	2555	24.6	7.2	2155	16.6	4.9	1920	8.5	2.5	1420	8.5	2.5	1420		
1385	655	41.5	12.2	2865	33.5	9.8	2495	25.5	7.5	2095	17.6	5.2	1860	9.4	2.8	1360	9.4	2.8	1360		

Outdoor Temp.	°F	65	60	55	50	47	45	40	35	30	25	20	17	15	10	5	0	-5	-10	-15	-20
	°C	18	16	13	10	8	7	4	2	-1	-4	-7	-8	-9	-12	-15	-18	-21	-23	-26	-29
Compressor Motor kW Input		2.93	2.85	2.77	2.69	2.64	2.56	2.36	2.15	2.16	2.16	2.16	2.16	2.13	2.05	1.92	1.8	1.67	1.55	1.42	1.3
Total Output	kBtuh	40.6	38.6	36.6	34.6	33.4	32.6	30.5	28.4	26.5	24.6	22.6	21.5	20.7	18.7	16.6	14.6	12.5	10.5	8.5	6.4
	kW	11.9	11.3	10.7	10.1	9.8	9.6	8.9	8.3	7.8	7.2	6.6	6.3	6.1	5.5	4.9	4.3	3.7	3.1	2.5	1.9

	Inputs					
	Cap		Watts		Watts	
	Low		Med		High	
CFM	726		831		970	
62°F Low	11582.827		433.686		11594.856	
47°F Low	---		---		9271.417	
CFM	1050		1216		1385	
47°F	32808.519		2727.334		33430.815	
35°F	---		---		28431.65	
17°F	---		---		21454.184	

HEATING PERFORMANCE EXTENDED RATINGS

4HP18V60P-50 (4 TON MODE) - BCE5V48M - INDOOR COIL AT 65°F DRY BULB

MINIMUM CAPACITY

Indoor Coil Air Volume 65°F db (28°C db)		Air Temperature Entering Outdoor Coil											
		65°F (18°C)		60°F (16°C)		55°F (13°C)		50°F (10°C)					
		Total Heating Capacity		Comp. Motor Watts Input		Total Heating Capacity		Comp. Motor Watts Input		Total Heating Capacity		Comp. Motor Watts Input	
CFM	L/s	kBtuh	kW	kBtuh	kW	kBtuh	kW	kBtuh	kW	kBtuh	kW	kBtuh	kW
1040	490	22.6	6.6	1105	21.4	6.3	1115	20.3	5.9	1130	19.1	5.6	1140
1200	565	22.8	6.7	1045	21.6	6.3	1060	20.5	6.0	1070	19.3	5.7	1080
1285	605	23.2	6.8	1025	22.0	6.4	1035	20.9	6.1	1045	19.7	5.8	1055

MAXIMUM CAPACITY

Indoor Coil Air Volume 65°F db (28°C db)		Air Temperature Entering Outdoor Coil														
		65°F (18°C)		45°F (7°C)		25°F (-4°C)		5°F (-15°C)		-15°F (-28°C)						
		Total Heating Capacity		Comp. Motor Watts Input		Total Heating Capacity		Comp. Motor Watts Input		Total Heating Capacity		Comp. Motor Watts Input				
CFM	L/s	kBtuh	kW	kBtuh	kW	kBtuh	kW	kBtuh	kW	kBtuh	kW	kBtuh	kW			
1455	685	55.5	16.3	4585	44.5	13.0	4070	33.3	9.8	3465	23.7	6.9	3355	11.5	3.4	2525
1730	815	56.3	16.5	4325	45.4	13.3	3815	34.2	10.0	3210	24.6	7.2	3095	12.4	3.6	2265
1820	860	56.6	16.6	4260	45.7	13.4	3750	34.4	10.1	3145	24.8	7.3	3030	12.7	3.7	2200

Outdoor Temp.	°F	65	60	55	50	47	45	40	35	30	25	20	17	15	10	5	0	-5	-10	-15	-20
	°C	18	16	13	10	8	7	4	2	-1	-4	-7	-8	-9	-12	-15	-18	-21	-23	-26	-29
Compressor Motor kW Input		4.33	4.23	4.14	4.05	3.99	3.82	3.37	2.93	3.07	3.21	3.35	3.44	3.4	3.3	3.1	2.89	2.68	2.48	2.27	2.06
Total Output	kBtuh	56.3	53.7	51.1	48.5	46.9	45.4	41.6	37.8	36	34.2	32.4	31.3	30.2	27.6	24.6	21.5	18.5	15.5	12.4	9.4
	kW	16.5	15.7	15.0	14.2	13.7	13.3	12.2	11.1	10.6	10.0	9.5	9.2	8.9	8.1	7.2	6.3	5.4	4.5	3.6	2.8

	Inputs					
	Cap		Watts		Watts	
	Low		Med		High	
CFM	1040		1200		1285	
62°F Low	21890.931		1112.754		22090.698	
47°F Low	---		---		18648.76	
CFM	1455		1730		1820	
47°F	46059.362		4248.252		46936.672	
35°F	---		---		37811.413	
17°F	---		---		31257.918	

HEATING PERFORMANCE EXTENDED RATINGS

4HP18V60P-50 (4 TON MODE) - BCE5V48M - INDOOR COIL AT 70°F DRY BULB

MINIMUM CAPACITY

Indoor Coil Air Volume 70°F db (28°C db)		Air Temperature Entering Outdoor Coil											
		65°F (18°C)		60°F (16°C)		55°F (13°C)		50°F (10°C)					
		Total Heating Capacity		Comp. Motor Watts Input		Total Heating Capacity		Comp. Motor Watts Input		Total Heating Capacity		Comp. Motor Watts Input	
CFM	L/s	kBtuh	kW	kBtuh	kW	kBtuh	kW	kBtuh	kW	kBtuh	kW	kBtuh	kW
726	345	12.2	3.6	390	11.5	3.4	400	10.7	3.1	415	9.9	2.9	430
831	390	12.2	3.6	370	11.5	3.4	385	10.7	3.1	395	9.9	2.9	410
970	460	12.6	3.7	355	11.8	3.5	370	11.0	3.2	385	10.3	3.0	400

MAXIMUM CAPACITY

Indoor Coil Air Volume 70°F db (28°C db)		Air Temperature Entering Outdoor Coil														
		65°F (18°C)		45°F (7°C)		25°F (-4°C)		5°F (-15°C)		-15°F (-28°C)						
		Total Heating Capacity		Comp. Motor Watts Input		Total Heating Capacity		Comp. Motor Watts Input		Total Heating Capacity		Comp. Motor Watts Input				
CFM	L/s	kBtuh	kW	kBtuh	kW	kBtuh	kW	kBtuh	kW	kBtuh	kW	kBtuh	kW			
1050	495	40.9	12.0	2890	32.6	9.6	2535	24.3	7.1	2150	16.2	4.7	1930	7.9	2.3	1450
1216	575	41.6	12.2	2805	33.3	9.8	2450	25.0	7.3	2065	16.9	5.0	1850	8.6	2.5	1365
1385	655	42.5	12.5	2735	34.2	10.0	2380	25.9	7.6	1995	17.8	5.2	1780	9.5	2.8	1295

Outdoor Temp.	°F	65	60	55	50	47	45	40	35	30	25	20	17	15	10	5	0	-5	-10	-15	-20
	°C	18	16	13	10	8	7	4	2	-1	-4	-7	-8	-9	-12	-15	-18	-21	-23	-26	-29
Compressor Motor kW Input		2.81	2.73	2.66	2.58	2.53	2.45	2.26	2.06	2.06	2.07	2.08	2.08	2.05	1.97	1.85	1.73	1.61	1.49	1.37	1.25
Total Output	kBtuh	41.6	39.5	37.5	35.4	34.2	33.3	31.1	28.9	26.9	25	23	21.8	21	19	16.9	14.8	12.8	10.7	8.6	6.6
	kW	12.2	11.6	11.0	10.4	10.0	9.8	9.1	8.5	7.9	7.3	6.7	6.4	6.2	5.6	5.0	4.3	3.8	3.1	2.5	1.9

	Inputs					
	Cap		Watts		Watts	
	Low		Med		High	
CFM	726		831		970	
62°F Low	11769.418		396.542		11779.34	
47°F Low	---		---		9484.096	
CFM	1050		1216		1385	
47°F	33478.862		2614.818		34171.371	
35°F	---		---		28870.357	
17°F	---		---		21834.423	

HEATING PERFORMANCE EXTENDED RATINGS

4HP18V60P-50 (4 TON MODE) - BCE5V48M - INDOOR COIL AT 75°F DRY BULB

MINIMUM CAPACITY

Indoor Coil Air Volume 75°F db (28°C db)		Air Temperature Entering Outdoor Coil															
		65°F (18°C)				60°F (16°C)				55°F (13°C)				50°F (10°C)			
		Total Heating Capacity		Comp. Motor Watts Input		Total Heating Capacity		Comp. Motor Watts Input		Total Heating Capacity		Comp. Motor Watts Input		Total Heating Capacity		Comp. Motor Watts Input	
CFM	L/s	kBtuh	kW	kBtuh	kW	kBtuh	kW	kBtuh	kW	kBtuh	kW	kBtuh	kW	kBtuh	kW		
1040	490	22.0	6.4	1215	20.9	6.1	1225	19.9	5.8	1235	18.8	5.5	1245	18.8	5.5	1245	
1200	565	22.3	6.5	1155	21.2	6.2	1165	20.1	5.9	1175	19.0	5.6	1185	19.0	5.6	1185	
1285	605	22.7	6.7	1135	21.6	6.3	1145	20.5	6.0	1155	19.4	5.7	1165	19.4	5.7	1165	

MAXIMUM CAPACITY

Indoor Coil Air Volume 75°F db (28°C db)		Air Temperature Entering Outdoor Coil																			
		65°F (18°C)				45°F (7°C)				25°F (-4°C)				5°F (-15°C)				-15°F (-28°C)			
		Total Heating Capacity		Comp. Motor Watts Input		Total Heating Capacity		Comp. Motor Watts Input		Total Heating Capacity		Comp. Motor Watts Input		Total Heating Capacity		Comp. Motor Watts Input		Total Heating Capacity		Comp. Motor Watts Input	
CFM	L/s	kBtuh	kW	kBtuh	kW	kBtuh	kW	kBtuh	kW	kBtuh	kW	kBtuh	kW	kBtuh	kW	kBtuh	kW	kBtuh	kW		
1455	685	55.3	16.2	4925	44.3	13.0	4350	32.9	9.6	3675	23.5	6.9	3550	11.5	3.4	2675	11.5	3.4	2675		
1730	815	56.1	16.4	4655	45.1	13.2	4085	33.7	9.9	3410	24.4	7.2	3280	12.3	3.6	2410	12.3	3.6	2410		
1820	860	56.3	16.5	4585	45.3	13.3	4010	34.0	10.0	3340	24.6	7.2	3210	12.5	3.7	2335	12.5	3.7	2335		

Outdoor Temp.	°F	65	60	55	50	47	45	40	35	30	25	20	17	15	10	5	0	-5	-10	-15	-20
	°C	18	16	13	10	8	7	4	2	-1	-4	-7	-8	-9	-12	-15	-18	-21	-23	-26	-29
Compressor Motor kW Input		4.66	4.55	4.45	4.34	4.28	4.09	3.6	3.11	3.26	3.41	3.56	3.65	3.61	3.5	3.28	3.07	2.85	2.63	2.41	2.19
Total Output	kBtuh	56.1	53.5	50.9	48.3	46.7	45.1	41.1	37.1	35.4	33.7	32	31	30	27.4	24.4	21.4	18.3	15.3	12.3	9.3
	kW	16.4	15.7	14.9	14.2	13.7	13.2	12.0	10.9	10.4	9.9	9.4	9.1	8.8	8.0	7.2	6.3	5.4	4.5	3.6	2.7

	Inputs					
	Cap		Watts		Watts	
	Low		Med		High	
CFM	1040		1200		1285	
62°F Low	21380.757		1219.873		21621.844	
47°F Low	---		---		18373.432	
CFM	1455		1730		1820	
47°F	45872.505		4545.148		46718.85	
35°F	---		---		37140.175	
17°F	---		---		31031.31	

HEATING PERFORMANCE EXTENDED RATINGS

4HP18V60P-50 (5 TON MODE) - BCE5V60M - INDOOR COIL AT 65°F DRY BULB

MINIMUM CAPACITY

Indoor Coil Air Volume 65°F db (28°C db)		Air Temperature Entering Outdoor Coil											
		65°F (18°C)		60°F (16°C)		55°F (13°C)		50°F (10°C)					
		Total Heating Capacity		Comp. Motor Watts Input		Total Heating Capacity		Comp. Motor Watts Input		Total Heating Capacity		Comp. Motor Watts Input	
CFM	L/s	kBtuh	kW	kBtuh	kW	kBtuh	kW	kBtuh	kW	kBtuh	kW	kBtuh	kW
1111	525	23.2	6.8	900	21.7	6.4	905	20.3	5.9	915	18.8	5.5	920
1212	570	23.2	6.8	875	21.8	6.4	880	20.3	5.9	885	18.9	5.5	890
1380	650	23.8	7.0	830	22.4	6.6	835	20.9	6.1	840	19.5	5.7	845

MAXIMUM CAPACITY

Indoor Coil Air Volume 65°F db (28°C db)		Air Temperature Entering Outdoor Coil															
		65°F (18°C)		45°F (7°C)		25°F (-4°C)		5°F (-15°C)		-15°F (-28°C)							
		Total Heating Capacity		Comp. Motor Watts Input		Total Heating Capacity		Comp. Motor Watts Input		Total Heating Capacity		Comp. Motor Watts Input		Total Heating Capacity		Comp. Motor Watts Input	
CFM	L/s	kBtuh	kW	kBtuh	kW	kBtuh	kW	kBtuh	kW	kBtuh	kW	kBtuh	kW	kBtuh	kW	kBtuh	kW
1605	755	68.0	19.9	5075	55.5	16.3	4705	43.1	12.6	4320	29.4	8.6	3860	14.4	4.2	2870	
1838	865	68.9	20.2	4865	56.4	16.5	4495	44.0	12.9	4110	30.3	8.9	3650	15.3	4.5	2660	
2030	960	69.8	20.5	4730	57.3	16.8	4360	45.0	13.2	3975	31.3	9.2	3515	16.3	4.8	2525	

Outdoor Temp.	°F	65	60	55	50	47	45	40	35	30	25	20	17	15	10	5	0	-5	-10	-15	-20
	°C	18	16	13	10	8	7	4	2	-1	-4	-7	-8	-9	-12	-15	-18	-21	-23	-26	-29
Compressor Motor kW Input		4.87	4.78	4.69	4.6	4.55	4.5	4.36	4.22	4.17	4.11	4.06	4.02	3.99	3.9	3.65	3.41	3.16	2.91	2.66	2.42
Total Output	kBtuh	68.9	65.7	62.5	59.4	57.5	56.4	53.6	50.8	47.4	44	40.6	38.5	37.3	34.1	30.3	26.6	22.8	19.1	15.3	11.6
	kW	20.2	19.3	18.3	17.4	16.9	16.5	15.7	14.9	13.9	12.9	11.9	11.3	10.9	10.0	8.9	7.8	6.7	5.6	4.5	3.4

	Inputs					
	Cap		Watts		Watts	
	Low		Med		High	
CFM	1111		1212		1380	
62°F Low	22311.862		905.201		22347.104	
47°F Low	---		---		17998.422	
CFM	1605		1838		2030	
47°F	56580.116		4760.251		57488.084	
35°F	---		---		50803.357	
17°F	---		---		38522.453	

HEATING PERFORMANCE EXTENDED RATINGS

4HP18V60P-50 (5 TON MODE) - BCE5V60M - INDOOR COIL AT 70°F DRY BULB

MINIMUM CAPACITY

Indoor Coil Air Volume 70°F db (28°C db)		Air Temperature Entering Outdoor Coil											
		65°F (18°C)		60°F (16°C)		55°F (13°C)		50°F (10°C)					
		Total Heating Capacity		Comp. Motor Watts Input		Total Heating Capacity		Comp. Motor Watts Input		Total Heating Capacity		Comp. Motor Watts Input	
CFM	L/s	kBtuh	kW	kBtuh	kW	kBtuh	kW	kBtuh	kW	kBtuh	kW	kBtuh	kW
1111	525	22.7	6.7	1005	21.3	6.2	1010	19.9	5.8	1010	18.5	5.4	1015
1212	570	22.8	6.7	970	21.4	6.3	975	19.9	5.8	980	18.5	5.4	980
1380	650	23.4	6.9	930	21.9	6.4	935	20.5	6.0	935	19.1	5.6	940

MAXIMUM CAPACITY

Indoor Coil Air Volume 70°F db (28°C db)		Air Temperature Entering Outdoor Coil														
		65°F (18°C)		45°F (7°C)		25°F (-4°C)		5°F (-15°C)		-15°F (-28°C)						
		Total Heating Capacity		Comp. Motor Watts Input		Total Heating Capacity		Comp. Motor Watts Input		Total Heating Capacity		Comp. Motor Watts Input				
CFM	L/s	kBtuh	kW	kBtuh	kW	kBtuh	kW	kBtuh	kW	kBtuh	kW	kBtuh	kW			
1605	755	67.3	19.7	5410	54.9	16.1	5005	42.6	12.5	4585	29.2	8.6	4100	14.3	4.2	3055
1838	865	68.2	20.0	5170	55.8	16.4	4765	43.5	12.7	4345	30.1	8.8	3860	15.2	4.5	2815
2030	960	69.2	20.3	5025	56.8	16.6	4620	44.5	13.0	4200	31.1	9.1	3715	16.2	4.7	2670

Outdoor Temp.	°F	65	60	55	50	47	45	40	35	30	25	20	17	15	10	5	0	-5	-10	-15	-20
	°C	18	16	13	10	8	7	4	2	-1	-4	-7	-8	-9	-12	-15	-18	-21	-23	-26	-29
Compressor Motor kW Input		5.17	5.08	4.98	4.89	4.83	4.77	4.61	4.46	4.4	4.35	4.29	4.26	4.22	4.13	3.86	3.6	3.34	3.08	2.82	2.56
Total Output	kBtuh	68.2	65	61.9	58.8	56.9	55.8	53	50.2	46.9	43.5	40.2	38.2	37	33.8	30.1	26.4	22.7	18.9	15.2	11.5
	kW	20.0	19.0	18.1	17.2	16.7	16.4	15.5	14.7	13.7	12.7	11.8	11.2	10.8	9.9	8.8	7.7	6.7	5.5	4.5	3.4

	Inputs					
	Cap		Watts		Watts	
	Low		Med		High	
CFM	1111		1212		1380	
62°F Low	21891.274		1008.056		21931.16	
47°F Low	---		---		17653.772	
CFM	1605		1838		2030	
47°F	56043.57		5069.285		56928.888	
35°F	---		---		50182.81	
17°F	---		---		38210.078	

HEATING PERFORMANCE EXTENDED RATINGS

4HP18V60P-50 (5 TON MODE) - BCE5V60M - INDOOR COIL AT 75°F DRY BULB

MINIMUM CAPACITY

Indoor Coil Air Volume 75°F db (28°C db)		Air Temperature Entering Outdoor Coil											
		65°F (18°C)		60°F (16°C)		55°F (13°C)		50°F (10°C)					
		Total Heating Capacity		Comp. Motor Watts Input		Total Heating Capacity		Comp. Motor Watts Input		Total Heating Capacity		Comp. Motor Watts Input	
CFM	L/s	kBtuh	kW	kBtuh	kW	kBtuh	kW	kBtuh	kW	kBtuh	kW	kBtuh	kW
1111	525	22.3	6.5	1115	20.9	6.1	1115	19.5	5.7	1110	18.1	5.3	1110
1212	570	22.3	6.5	1085	20.9	6.1	1085	19.5	5.7	1085	18.1	5.3	1080
1380	650	22.9	6.7	1045	21.5	6.3	1045	20.1	5.9	1045	18.7	5.5	1040

MAXIMUM CAPACITY

Indoor Coil Air Volume 75°F db (28°C db)		Air Temperature Entering Outdoor Coil														
		65°F (18°C)		45°F (7°C)		25°F (-4°C)		5°F (-15°C)		-15°F (-28°C)						
		Total Heating Capacity		Comp. Motor Watts Input		Total Heating Capacity		Comp. Motor Watts Input		Total Heating Capacity		Comp. Motor Watts Input				
CFM	L/s	kBtuh	kW	kBtuh	kW	kBtuh	kW	kBtuh	kW	kBtuh	kW	kBtuh	kW			
1605	755	66.6	19.5	5770	54.4	15.9	5325	42.3	12.4	4855	29.1	8.5	4335	14.2	4.2	3235
1838	865	67.5	19.8	5510	55.3	16.2	5060	43.1	12.6	4595	29.9	8.8	4075	15.1	4.4	2975
2030	960	68.4	20.0	5355	56.2	16.5	4905	44.1	12.9	4440	30.9	9.1	3915	16.0	4.7	2815

Outdoor Temp.	°F	65	60	55	50	47	45	40	35	30	25	20	17	15	10	5	0	-5	-10	-15	-20
	°C	18	16	13	10	8	7	4	2	-1	-4	-7	-8	-9	-12	-15	-18	-21	-23	-26	-29
Compressor Motor kW Input		5.51	5.41	5.3	5.2	5.13	5.06	4.89	4.72	4.66	4.6	4.54	4.5	4.46	4.35	4.08	3.8	3.53	3.25	2.98	2.7
Total Output	kBtuh	67.5	64.4	61.3	58.2	56.4	55.3	52.5	49.7	46.4	43.1	39.9	37.9	36.7	33.6	29.9	26.2	22.5	18.8	15.1	11.4
	kW	19.8	18.9	18.0	17.1	16.5	16.2	15.4	14.6	13.6	12.6	11.7	11.1	10.8	9.8	8.8	7.7	6.6	5.5	4.4	3.3

	Inputs					
	Cap		Watts		Watts	
	Low		Med		High	
CFM	1111		1212		1380	
62°F Low	21456.339		1113.413		21490.625	
47°F Low	---		---		17268.653	
CFM	1605		1838		2030	
47°F	55534.082		5391.9		56382.546	
35°F	---		---		49670.237	
17°F	---		---		37916.407	

ACCESSORIES

Description	Where Used	Kit Number	Purpose
TXV Kit	4HP18V36 (2 Ton mode)	H4TXV01	TXVs provide superior refrigerant flow control, comfort and efficiency
	4HP18V36 (3 Ton mode) 4HP18V60 (4 Ton mode)	H4TXV02	
	4HP18V60 (5 Ton mode)	H4TXV03	
Crankcase heater	All models	Factory installed	Prevents liquid migration to compressor in cold weather
Sound Blanket	All models	Factory installed	Lowers compressor sound level
Short Cycle Protector	All models	Control Board Feature	Protects compressor from short cycling.
Liquid Line Solenoid	All models	60M52	Prevents liquid migration to the compressor especially for high liquid riser applications
Freezestat	3/8 tubing	93G35	Protects the compressor at low suction pressure conditions



1-800-448-5872

All specifications and illustrations subject to change without notice and without incurring obligations.