

INSTALLATION INSTRUCTIONS

Down-Flow Conversion

WARNING

Improper installation, adjustment, alteration, service, or maintenance can cause injury or property damage. Refer to this manual. For assistance or additional information, consult a qualified installer or service agency

CAUTION

Sharp metal edges can cause injury. When installing the unit, use care to avoid sharp edges.

WARNING

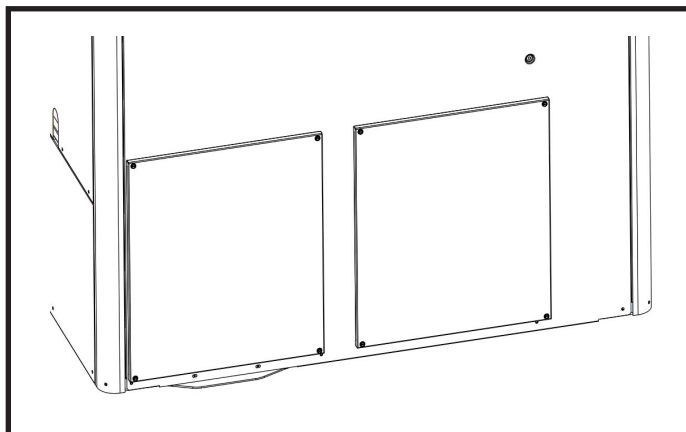
If these instructions and/or codes are not followed or if the equipment is not properly installed, possible injury or death could occur during installation or operation.

Kit Includes

- 2 Insulated Rear Duct Covers
- 8 Self-Drilling #10 Hex Head Screws

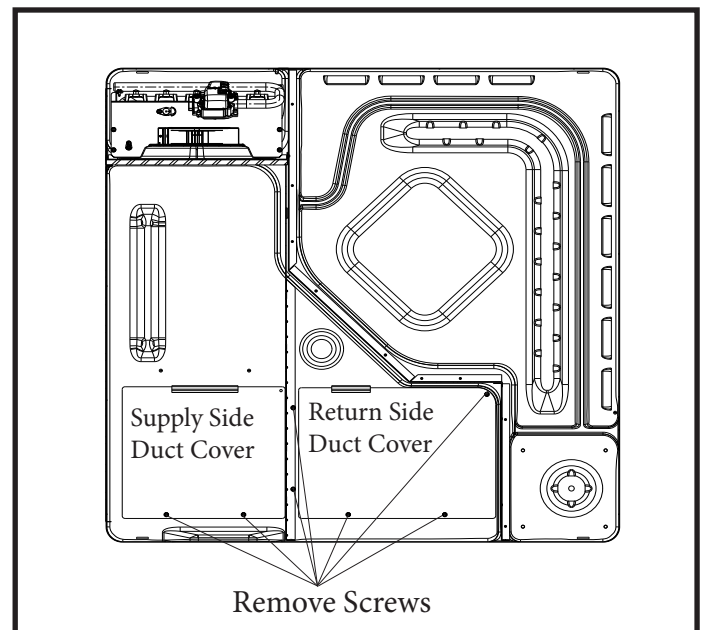
Recommended Tools

- Drill
- 5/16" Socket Driver Bit
- Utility Knife
- Gloves



Step 1 – Locate the rear of the unit, facing the open ducts. Using a knife, cut following the marked cut lines on the unit's base insulation. Remove the cuts of insulation.

Step 2 – Locate the screws that fasten the bottom duct covers to the base. Remove these along with any interfering foil tape



507431-01

Save these instructions for future reference

Step 3 – Remove screws located between the supply and return air openings that attach the blower deck to the base; and discard these screws. These screws can interfere with bottom duct connections or roof curb seals. It is recommended to tape down remaining insulation to the base to avoid delamination.

Step 4 – Locate the dimples around the rear duct openings. Fasten the new rear duct covers to the rear panel using the self-drilling screws.

Step 5 – Install drain pan overflow switch according to over flow switch kit instructions.

Note: Curb kits are available if desired in down flow applications.