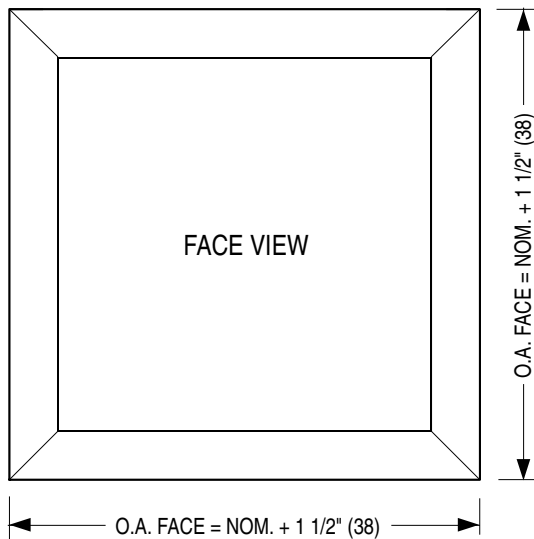
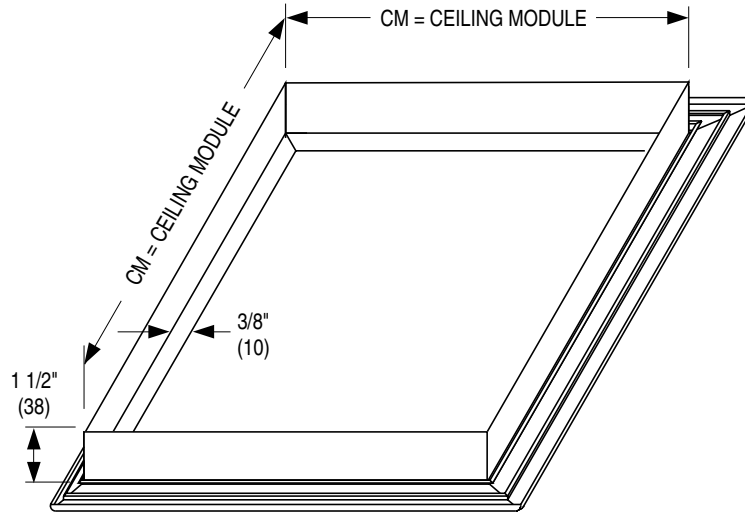
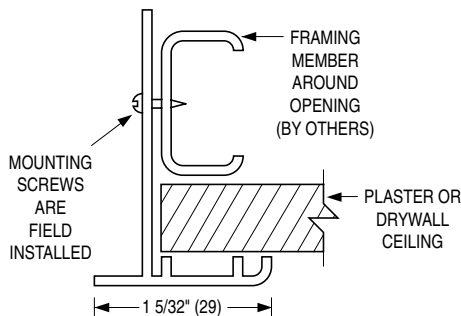


**ALUMINUM SURFACE MOUNT ADAPTOR FRAME FOR
 MODEL SERIES RNS, 4300, 4600 OR UNI LAY-IN T-BAR DIFFUSERS**

**TYPICAL
 INSTALLATION**

DESCRIPTION:

The Model DFA is for mounting in finished drywall or plaster ceilings to accept any standard lay-in type diffuser.

It allows the retrofit of lay-in diffusers and simplified installation of flexible duct in surface mount applications.

Model DFA is installed quickly and easily and is suitable for variable ceiling thicknesses. Installation requires framing of the opening with "C" channel or wood for attachment with mounting screws (by others).

The finished appearance is professional and aesthetically pleasing.

Model DFA simplifies and reduces installation time compared with surface mount type diffusers.

A major benefit is that the diffuser allows ceiling access for maintenance purposes in lieu of separate access doors.

Material: Aluminum extrusion with staked and mitered corners.

Standard Finish: AW Appliance white baked enamel.

OPTIONS:

Finish:

SP Special _____ .

AVAILABLE CEILING MODULES:

IMPERIAL MODULES		METRIC MODULES	
Imperial Units (inches)	S.I. Units (mm)	S.I. Units (mm)	
12 x 12	305 x 305	300 x 300	
16 x 16	406 x 406	400 x 400	
20 x 20	508 x 508	500 x 500	
24 x 12	610 x 305	600 x 300	
24 x 24	610 x 610	600 x 600	
36 x 24	914 x 610	900 x 600	
48 x 12	1219 x 305	1200 x 300	
48 x 24	1219 x 610	1200 x 600	
60 x 12	1524 x 305	1500 x 300	

CEILING OPENING = CM + 1/4" (6)

Dimensions are in inches (mm).

SCHEDULE TYPE:	
PROJECT:	
ENGINEER:	
CONTRACTOR:	

DATE	B SERIES	SUPERSEDES	DRAWING NO.
19 - 5 - 00R	ACC-DIF.	5 - 96	ACC-DFA