

4SHP16LS

PRODUCT SPECIFICATIONS

16 SEER SPLIT ENHANCED HEAT PUMP

FORM NO. 4SHP16LS-100 (01/2021)



COMFORT SYNC

COMMUNICATING THERMOSTAT ENABLED

COMPRESSOR

- High-efficiency 2 stage Copeland Ultra Tech™ scroll compressor
- R410a refrigerant
- Grommet mounted compressor for quiet operation
- Internally protected against high temperature motor overload conditions
- Heavy-duty compressor sound blanket for quiet operation

CABINET

- Full metal louvered panel coil guard protection
- Controls located in corner post for easy installation and service
- Rounded corners for safety and attractive, clean appearance
- Baked polyester paint finish over galvanized steel for maximum durability
- PVC coated wire fan discharge grill
- External gauge ports for easy service
- Raised base pan with ports allows for excellent water and debris drainage

COIL

- Enhanced aluminum fins and copper tubing for high efficiency and capacity
- Raised coil prevents debris from collecting in bottom of coil and causing loss of airflow

COMPONENTS

- Full metal louvered panels remove for easy coil cleaning and service
- Bi-directional filter drier for long-lasting durability and system protection
- Discharge muffler for quiet operation
- Factory installed crank case heater
- Factory installed high and low pressure switch
- Advanced design defrost system featuring a smart logic for power consumption savings
- Service valves positioned for quick installation and easy service
- Trade available components
- Quiet Shift™ capable for sound control during defrost
- Communicating features
- Thermostat flexibility: works with the Comfort Sync® T-Stat (when matched with communicating indoor unit) or a conventional 24V T-Stat
- Self diagnostics saves last 10 fault codes regardless of power interruption

DESIGN

- Designed for ambients up to 125°F

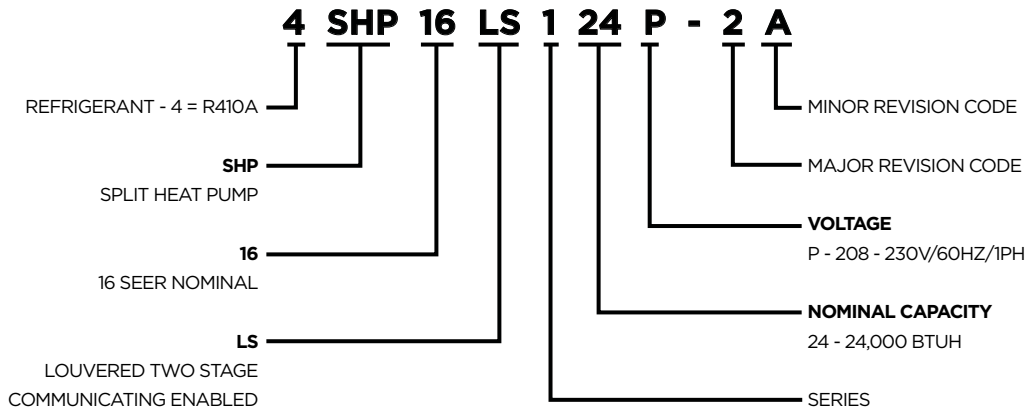
WARRANTY

10 year limited warranty on compressor, 10 year limited warranty on all parts, extended warranty available*

**Warranty provides for a total of 10 years of limited warranty coverage (Standard 5-year limited parts warranty plus an additional 5-year limited extended parts warranty). Warranty must be registered online within 60 days of installation to qualify for 10-year coverage. Unregistered equipment defaults to 5-year coverage. See full warranty at www.alliedair.com for terms, conditions and exclusions.*



MODEL NUMBER GUIDE



PHYSICAL AND ELECTRICAL

Model	Voltage/Hz/Phase	Voltage Range	Min. Circuit Amp.	Max. Over current Device (amps)	Compressor		Fan Motor			Refrig. Charge (oz.)	Weight (lbs.)
					Rated Load (amps)	Locked Rotor (amps)	Rated Load (amps)	Rated HP	Nom. RPM		
4SHP16LS124P-2	208-230-60/1	197-253	13.5	20	11.4	52	0.7	1/10	1075	146	207
4SHP16LS136P-2	208-230-60/1	197-253	22.5	35	19.0	82	1.7	1/4	825	192	253
4SHP16LS148P-2	208-230-60/1	197-253	28.2	45	24.0	96	1.8	1/3	825	236	288
4SHP16LS160P-2	208-230-60/1	197-253	35.1	60	26.0	118	2.8	1/3	ECM	244	313

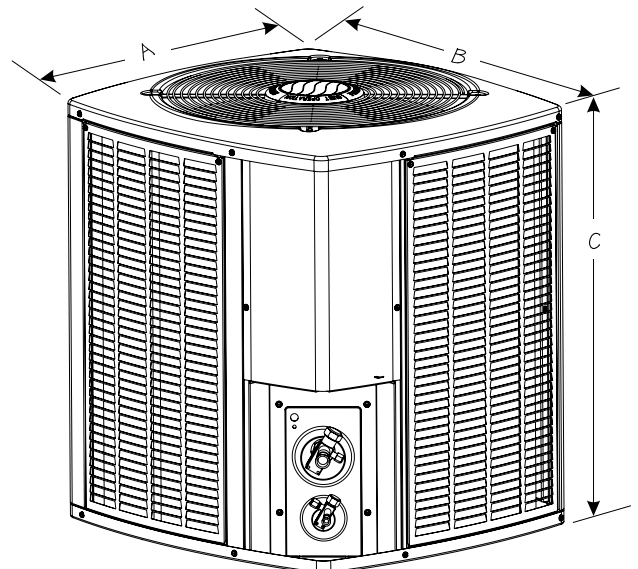
UNIT SOUND RATINGS

Model	Sound Power ¹	Estimated Sound Pressure (dBA) ²		
		Approximate Distance ³		
		One Meter (3.3 feet)	Two Meters (6.6 feet)	Three Meters (9.8 feet)
4SHP16LS124P-3	73	65	59	55
4SHP16LS136P-3	77	69	63	59
4SHP16LS148P-3	75	67	61	57
4SHP16LS160P-3	74	66	60	56

1 Rated in accordance with AHRI standard 270 (2015)
 2 Rated in accordance with AHRI standard 275 (2010)
 3 Based only on distance factor; other factors may change this value such as:
 • Unit location (reflective surfaces adjacent to the unit)
 • Barrier shielding sources
 • Sound path/elevation
 • Outside noise sources

UNIT DIMENSIONS (IN.)

Model No.	Dimensions		
	A	B	C
4SHP16LS124P-2	24-3/4	26-3/4	33-3/4
4SHP16LS136P-2	29-3/8	31-1/4	37-3/4
4SHP16LS148P-2	35-3/4	37-3/4	37-3/4
4SHP16LS160P-2	35-3/4	37-3/4	43-3/4



COOLING PERFORMANCE WITH AIR HANDLERS AND FURNACES

Outdoor Model	Indoor Model		Cooling				Heating				CFM	Refrigerant Connection				Refrig. Line Size		Indoor Expansion Device		
	Evaporator Coil or Air Handler ²	Furnaces	SEER	EER	ARI Rated Capacity ¹	Rated Sensible Capacity	HSPF	47		17		Outdoor		Indoor		Suction	Liquid	Piston ²	TXV	
								Btuh	COP	Btuh		COP	Suction	Liquid	Suction					Liquid
4SHP16LS124P-2	BCS2M24@00NA1P		15.0	12.0	24,000	17,400	8.5	24,000	3.3	14,000	2.40	850	3/4	3/8	3/4	3/8	3/4	3/8		
	E(U,C,M,H)1P36B	EFV08BC	14.5	12.0	24,000	17,400	8.5	24,000	3.3	14,000	2.40	850	3/4	3/8	3/4	3/8	3/4	3/8		
	E(U,M,H)1P29B	EFV08BC	14.5	11.5	24,000	17,400	8.5	24,000	3.3	14,000	2.40	850	3/4	3/8	3/4	3/8	3/4	3/8		
	E(U,C,M,H)1P29A	A80DFIE045A12	14.0	12.0	24,000	17,400	8.5	22,600	3.3	14,000	2.40	850	3/4	3/8	3/4	3/8	3/4	3/8		
	E(U,C,M,H)1P36A	A80DFIE045A12	14.5	12.0	24,000	17,400	8.5	22,000	3.3	14,000	2.40	850	3/4	3/8	3/4	3/8	3/4	3/8		
	E(U,C,M,H)1P29B	A80DFIE070B12	13.5	11.5	24,000	17,400	8.5	22,600	3.3	14,000	2.40	850	3/4	3/8	3/4	3/8	3/4	3/8		
	E(U,C,M,H)1P36B	A80DFIE070B12	14.0	11.5	24,000	17,400	8.5	22,000	3.3	14,000	2.40	850	3/4	3/8	3/4	3/8	3/4	3/8		
	E(U,C,M,H)1P29A	A80+2V070A12	14.5	12.0	24,000	17,400	8.5	22,600	3.3	14,000	2.40	850	3/4	3/8	3/4	3/8	3/4	3/8		
	E(U,C,M,H)1P36A	A80+2V070A12	14.5	12.0	24,000	17,400	8.5	22,000	3.3	14,000	2.40	850	3/4	3/8	3/4	3/8	3/4	3/8		
	E(U,C,M,H)1P29B	A80+2V090B16	14.5	12.0	24,000	17,400	8.5	22,600	3.3	14,000	2.40	850	3/4	3/8	3/4	3/8	3/4	3/8		
	E(U,C,M,H)1P36B	A80+2V090B16	14.5	12.0	24,000	17,400	8.5	22,000	3.3	14,000	2.40	850	3/4	3/8	3/4	3/8	3/4	3/8		
	E(U,M,H)1P29B	A80+2V090B16	14.5	12.0	24,000	17,400	8.5	22,600	3.3	14,000	2.40	850	3/4	3/8	3/4	3/8	3/4	3/8		
	E(U,C,M,H)1P29A	A80UHIE045A12*	14.5	12.0	24,000	17,400	8.5	22,600	3.3	14,000	2.40	850	3/4	3/8	3/4	3/8	3/4	3/8		
	E(U,C,M,H)1P36A	A80UHIE045A12*	14.5	12.0	24,000	17,400	8.5	22,000	3.3	14,000	2.40	850	3/4	3/8	3/4	3/8	3/4	3/8		
	E(U,C,M,H)1P29B	A80UHIE070B12*	13.5	11.5	24,000	17,400	8.5	22,600	3.3	14,000	2.40	850	3/4	3/8	3/4	3/8	3/4	3/8		
	E(U,C,M,H)1P36B	A80UHIE070B12*	14.0	11.5	24,000	17,400	8.5	22,000	3.3	14,000	2.40	850	3/4	3/8	3/4	3/8	3/4	3/8		
	E(U,C,M,H)1P36B	A80#2V090B12	15.0	12.5	24,000	17,400	8.5	22,000	3.3	14,000	2.40	850	3/4	3/8	3/4	3/8	3/4	3/8		
	E(U,M,H)1P29B	A80#2V090B12	14.5	12.5	24,000	17,400	8.5	22,600	3.3	14,000	2.40	850	3/4	3/8	3/4	3/8	3/4	3/8		
	E(U,C,M,H)1P36B	A80#2V090B16	14.5	12.0	24,000	17,400	8.5	22,000	3.3	14,000	2.40	850	3/4	3/8	3/4	3/8	3/4	3/8		
	E(U,M,H)1P29B	A80#2V090B16	14.5	12.0	24,000	17,400	8.5	22,600	3.3	14,000	2.40	850	3/4	3/8	3/4	3/8	3/4	3/8		
	E(U,C,M,H)1P29B	A95DF2V045B12S	14.5	12.0	24,000	17,400	8.5	22,600	3.3	14,000	2.40	850	3/4	3/8	3/4	3/8	3/4	3/8		
	E(U,C,M,H)1P36B	A95DF2V045B12S	14.5	12.0	24,000	17,400	8.5	22,000	3.3	14,000	2.40	850	3/4	3/8	3/4	3/8	3/4	3/8		
	E(U,C,M,H)1P29B	A95UHIE070B12S	13.5	12.0	24,000	17,400	8.5	22,600	3.3	14,000	2.40	850	3/4	3/8	3/4	3/8	3/4	3/8		
	E(U,C,M,H)1P36B	A95UHIE070B12S	14.0	12.0	24,000	17,400	8.5	22,000	3.3	14,000	2.40	850	3/4	3/8	3/4	3/8	3/4	3/8		
	E(U,C,M,H)1P29B	A95#2V045B12S	14.5	12.0	24,000	17,400	8.5	22,600	3.3	14,000	2.40	850	3/4	3/8	3/4	3/8	3/4	3/8		
	E(U,C,M,H)1P36B	A95#2V045B12S	15.0	12.0	24,000	17,400	8.5	22,000	3.3	14,000	2.40	850	3/4	3/8	3/4	3/8	3/4	3/8		
	E(U,C,M,H)1P29B	A95#2V070B12S	15.0	12.5	24,000	17,400	8.5	22,600	3.3	14,000	2.40	850	3/4	3/8	3/4	3/8	3/4	3/8		
	E(U,C,M,H)1P36B	A95#2V070B12S	15.0	12.5	24,000	17,400	8.5	22,000	3.3	14,000	2.40	850	3/4	3/8	3/4	3/8	3/4	3/8		
	E(U,C,M,H)1P36C	A95#2V090C12S	15.0	12.5	24,000	17,400	8.5	22,000	3.3	14,000	2.40	850	3/4	3/8	3/4	3/8	3/4	3/8		
	E(U,C,M,H)1P36B	A96DFMV070B12 A97DSMV070B12	14.5	12.0	24,000	17,400	8.5	22,000	3.3	14,000	2.40	850	3/4	3/8	3/4	3/8	3/4	3/8		

NA

H4TXV01

+ DF or DS
UH or US
@ V or S

Note:
1 Certified in accordance with Unitary Air Conditioner Certification Program, which is based on AHRI Standard 210/240.
2 Required to achieve AHRI rating. If NA (Not Applicable) is in the piston column, then TXV is required
3 A blower time delay is required to achieve AHRI rating. This feature is standard on all Allied Air Enterprises furnace and air handler products.

COOLING PERFORMANCE WITH AIR HANDLERS AND FURNACES

Outdoor Model	Indoor Model		Cooling				Heating				CFM	Refrigerant Connection				Refrig. Line Size		Indoor Expansion Device		
	Evaporator Coil or Air Handler ²	Furnaces	SEER	EER	ARI Rated Capacity	Rated Sensible Capacity	HSPF	47		17		Outdoor		Indoor		Suction	Liquid	Piston ²	TXV	
								Btuh	COP	Btuh		COP	Suction	Liquid	Suction					Liquid
4SHP16LS124P-2	E(U,M,H)1P29B	A96DFMV070B12 A97DSMV070B12	14.5	12.0	24,000	17,400	8.5	22,600	3.3	14,000	2.40	850	3/4	3/8	3/4	3/8	3/4	3/8	NA	H4TXV01
	E(U,C,M,H)1P36B	A96UHMV070B12 A97USMV070B12	14.5	12.0	24,000	17,400	8.5	22,000	3.3	14,000	2.40	850	3/4	3/8	3/4	3/8	3/4	3/8		
	E(U,M,H)1P29B	A96UHMV070B12 A97USMV070B12	14.5	12.0	24,000	17,400	8.5	22,600	3.3	14,000	2.40	850	3/4	3/8	3/4	3/8	3/4	3/8		
	E(U,C,M,H)1P36C	A96UHMV090C12 A97USMV090C12	14.5	12.0	24,000	17,400	8.5	22,000	3.3	14,000	2.40	850	3/4	3/8	3/4	3/8	3/4	3/8		
	E(U,C,M,H)1P36B	LBR,LUF****V14	15.0	12.0	24,000	17,400	8.5	24,000	3.3	14,000	2.40	850	3/4	3/8	3/4	3/8	3/4	3/8		
	E(U,M,H)1P29B	LBR,LUF****V14	15.0	12.0	24,000	17,400	8.5	24,000	3.3	14,000	2.40	850	3/4	3/8	3/4	3/8	3/4	3/8		
	E(U,C,M,H)1P36B	LHF,LHR,LUF****V12	14.5	12.0	24,000	17,400	8.5	24,000	3.3	14,000	2.40	850	3/4	3/8	3/4	3/8	3/4	3/8		
	E(U,M,H)1P29B	LHF,LHR,LUF****V12	14.5	12.0	24,000	17,400	8.5	24,000	3.3	14,000	2.40	850	3/4	3/8	3/4	3/8	3/4	3/8		
4SHP16LS136P-2	BCS2M36@00NA1P		15.0	12.0	35,000	25,400	8.5	35,000	3.3	22,000	2.40	1,310	7/8	3/8	7/8	3/8	7/8	3/8	NA	H4TXV01
	E(U,C,M,H)1P36B	EFV12BC	15.0	12.5	35,000	25,400	8.5	34,600	3.3	22,000	2.40	1,310	7/8	3/8	3/4	3/8	7/8	3/8		
	E(U,C,M,H)1P43B	EFV12BC	15.0	12.5	35,000	25,400	8.5	34,600	3.3	22,000	2.40	1,310	7/8	3/8	7/8	3/8	7/8	3/8		
	E(U,C,M,H)1P36B	A80DFIE090B16	14.5	11.5	35,000	25,400	8.5	34,600	3.3	22,000	2.40	1,310	7/8	3/8	3/4	3/8	7/8	3/8		
	E(U,C,M,H)1P43B	A80DFIE090B16	14.5	12.0	35,000	25,400	8.5	34,600	3.3	22,000	2.40	1,310	7/8	3/8	7/8	3/8	7/8	3/8		
	E(U,C,M,H)1P36B	A80+2V090B16	15.0	12.5	35,000	25,400	8.5	34,600	3.3	22,000	2.40	1,310	7/8	3/8	3/4	3/8	7/8	3/8		
	E(U,C,M,H)1P36C	A80+2V110C20	15.0	12.5	35,000	25,400	8.5	34,600	3.3	22,000	2.40	1,310	7/8	3/8	3/4	3/8	7/8	3/8		
	E(U,C,M,H)1P43C	A80+2V110C20	15.5	12.5	35,000	25,400	8.5	34,600	3.3	22,000	2.40	1,310	7/8	3/8	7/8	3/8	7/8	3/8		
	E(U,C,M,H)1P36B	A80UHIE090B16*	14.5	12.0	35,000	25,400	8.5	34,600	3.3	22,000	2.40	1,310	7/8	3/8	3/4	3/8	7/8	3/8		
	E(U,C,M,H)1P43B	A80UHIE090B16*	14.5	12.0	35,000	25,400	8.5	34,600	3.3	22,000	2.40	1,310	7/8	3/8	7/8	3/8	7/8	3/8		
	E(U,C,M,H)1P36B	A80#2V090B16	15.0	12.0	35,000	25,400	8.5	34,600	3.3	22,000	2.40	1,310	7/8	3/8	3/4	3/8	7/8	3/8		
	E(U,C,M,H)1P36C	A80#2V090C20	15.0	12.5	35,000	25,400	8.5	34,600	3.3	22,000	2.40	1,310	7/8	3/8	3/4	3/8	7/8	3/8		
	E(U,C,M,H)1P43C	A80#2V090C20	15.0	12.5	35,000	25,400	8.5	34,600	3.3	22,000	2.40	1,310	7/8	3/8	7/8	3/8	7/8	3/8		
	E(U,C,M,H)1P36B	A95DFIE070B16S	14.0	12.5	35,000	25,400	8.5	34,600	3.3	22,000	2.40	1,310	7/8	3/8	3/4	3/8	7/8	3/8		
	E(U,C,M,H)1P43B	A95DFIE070B16S	14.0	11.5	35,000	25,400	8.5	34,600	3.3	22,000	2.40	1,310	7/8	3/8	7/8	3/8	7/8	3/8		
	E(U,C,M,H)1P36C	A95DFIE090C16S	15.0	12.0	35,000	25,400	8.5	34,600	3.3	22,000	2.40	1,310	7/8	3/8	3/4	3/8	7/8	3/8		
	E(U,C,M,H)1P43C	A95DFIE090C16S	14.5	12.0	35,000	25,400	8.5	34,600	3.3	22,000	2.40	1,310	7/8	3/8	7/8	3/8	7/8	3/8		
	E(U,C,M,H)1P36B	A95DF2V045B12S	15.0	12.5	35,000	25,400	8.5	34,600	3.3	22,000	2.40	1,310	7/8	3/8	3/4	3/8	7/8	3/8		
	E(U,C,M,H)1P43B	A95DF2V045B12S	15.0	12.0	35,000	25,400	8.5	34,600	3.3	22,000	2.40	1,310	7/8	3/8	7/8	3/8	7/8	3/8		
	E(U,C,M,H)1P36B	A95DF2V070B16S	15.0	12.0	35,000	25,400	8.5	34,600	3.3	22,000	2.40	1,310	7/8	3/8	3/4	3/8	7/8	3/8		
E(U,C,M,H)1P43B	A95DF2V070B16S	15.0	12.0	35,000	25,400	8.5	34,600	3.3	22,000	2.40	1,310	7/8	3/8	7/8	3/8	7/8	3/8			
E(U,C,M,H)1P36C	A95DF2V090C20S	15.0	12.5	35,000	25,400	8.5	34,600	3.3	22,000	2.40	1,310	7/8	3/8	3/4	3/8	7/8	3/8			

+ DF or DS
UH or US
@ V or S

Note:
1 Certified in accordance with Unitary Air Conditioner Certification Program, which is based on AHRI Standard 210/240.
2 Required to achieve AHRI rating. If NA (Not Applicable) is in the piston column, then TXV is required
3 A blower time delay is required to achieve AHRI rating. This feature is standard on all Allied Air Enterprises furnace and air handler products.

COOLING PERFORMANCE WITH AIR HANDLERS AND FURNACES

Outdoor Model	Indoor Model		Cooling				Heating					CFM	Refrigerant Connection				Refrig. Line Size		Indoor Expansion Device	
	Evaporator Coil or Air Handler ²	Furnaces	SEER	EER	ARI Rated Capacity	Rated Sensible Capacity	HSPF	47		17			Outdoor		Indoor		Suction	Liquid	Piston ²	TXV
								Btuh	COP	Btuh	COP		Suction	Liquid	Suction	Liquid				
4SHP16LS136P-2	E(U,C,M,H)1P43C	A95DF2V090C20S	15.0	12.5	35,000	25,400	8.5	34,600	3.3	22,000	2.40	1,310	7/8	3/8	7/8	3/8	7/8	3/8		
	E(U,C,M,H)1P36C	A95DF2V110C20S	15.0	12.5	35,000	25,400	8.5	34,600	3.3	22,000	2.40	1,310	7/8	3/8	3/4	3/8	7/8	3/8		
	E(U,C,M,H)1P43C	A95DF2V110C20S	15.0	12.5	35,000	25,400	8.5	34,600	3.3	22,000	2.40	1,310	7/8	3/8	7/8	3/8	7/8	3/8		
	E(U,C,M,H)1P36C	A95UH1E090C16S	15.0	12.0	35,000	25,400	8.5	34,600	3.3	22,000	2.40	1,310	7/8	3/8	3/4	3/8	7/8	3/8		
	E(U,C,M,H)1P43C	A95UH1E090C16S	15.0	12.0	35,000	25,400	8.5	34,600	3.3	22,000	2.40	1,310	7/8	3/8	7/8	3/8	7/8	3/8		
	E(U,C,M,H)1P36B	A95UH2V045B12S	15.0	12.5	35,000	25,400	8.5	34,600	3.3	22,000	2.40	1,310	7/8	3/8	3/4	3/8	7/8	3/8		
	E(U,C,M,H)1P43B	A95UH2V045B12S	15.0	12.0	35,000	25,400	8.5	34,600	3.3	22,000	2.40	1,310	7/8	3/8	7/8	3/8	7/8	3/8		
	E(U,C,M,H)1P36B	A95UH2V070B12S	15.0	12.5	35,000	25,400	8.5	34,600	3.3	22,000	2.40	1,310	7/8	3/8	3/4	3/8	7/8	3/8		
	E(U,C,M,H)1P43B	A95UH2V070B12S	15.0	12.0	35,000	25,400	8.5	34,600	3.3	22,000	2.40	1,310	7/8	3/8	7/8	3/8	7/8	3/8		
	E(U,C,M,H)1P36C	A95UH2V090C12S	15.0	12.5	35,000	25,400	8.5	34,600	3.3	22,000	2.40	1,310	7/8	3/8	3/4	3/8	7/8	3/8		
	E(U,C,M,H)1P43C	A95UH2V090C12S	15.0	12.5	35,000	25,400	8.5	34,600	3.3	22,000	2.40	1,310	7/8	3/8	7/8	3/8	7/8	3/8		
	E(U,C,M,H)1P36C	A95UH2V090C16S	15.0	12.5	35,000	25,400	8.5	34,600	3.3	22,000	2.40	1,310	7/8	3/8	3/4	3/8	7/8	3/8		
	E(U,C,M,H)1P43C	A95UH2V090C16S	15.0	12.5	35,000	25,400	8.5	34,600	3.3	22,000	2.40	1,310	7/8	3/8	7/8	3/8	7/8	3/8		
	E(U,C,M,H)1P36C	A95UH2V090C20S	15.0	12.5	35,000	25,400	8.5	34,600	3.3	22,000	2.40	1,310	7/8	3/8	3/4	3/8	7/8	3/8		
	E(U,C,M,H)1P43C	A95UH2V090C20S	15.5	12.5	35,000	25,400	8.5	34,600	3.3	22,000	2.40	1,310	7/8	3/8	7/8	3/8	7/8	3/8		
	E(U,C,M,H)1P36C	A95UH2V110C16S	15.0	12.5	35,000	25,400	8.5	34,600	3.3	22,000	2.40	1,310	7/8	3/8	3/4	3/8	7/8	3/8		
	E(U,C,M,H)1P43C	A95UH2V110C16S	15.5	12.5	35,000	25,400	8.5	34,600	3.3	22,000	2.40	1,310	7/8	3/8	7/8	3/8	7/8	3/8		
	E(U,C,M,H)1P36C	A96DFMV090C16 A97DSMV090C16	15.0	12.5	35,000	25,400	8.5	34,600	3.3	22,000	2.40	1,310	7/8	3/8	3/4	3/8	7/8	3/8		
	E(U,C,M,H)1P43C	A96DFMV090C16 A97DSMV090C16	15.5	12.5	35,000	25,400	8.5	34,600	3.3	22,000	2.40	1,310	7/8	3/8	7/8	3/8	7/8	3/8		
	E(U,C,M,H)1P36C	A96DFMV090C20 A97DSMV090C20	15.0	12.5	35,000	25,400	8.5	34,600	3.3	22,000	2.40	1,310	7/8	3/8	3/4	3/8	7/8	3/8		
	E(U,C,M,H)1P43C	A96DFMV090C20 A97DSMV090C20	15.5	12.5	35,000	25,400	8.5	34,600	3.3	22,000	2.40	1,310	7/8	3/8	7/8	3/8	7/8	3/8		
	E(U,C,M,H)1P36C	A96DFMV110C20 A97DSMV110C20	15.0	12.5	35,000	25,400	8.5	34,600	3.3	22,000	2.40	1,310	7/8	3/8	3/4	3/8	7/8	3/8		
	E(U,C,M,H)1P43C	A96DFMV110C20 A97DSMV110C20	15.5	12.5	35,000	25,400	8.5	34,600	3.3	22,000	2.40	1,310	7/8	3/8	7/8	3/8	7/8	3/8		
	E(U,C,M,H)1P36C	A96UHMV090C12 A97USMV090C12	15.0	12.5	35,000	25,400	8.5	34,600	3.3	22,000	2.40	1,310	7/8	3/8	3/4	3/8	7/8	3/8		
	E(U,C,M,H)1P43C	A96UHMV090C12 A97USMV090C12	15.0	12.5	35,000	25,400	8.5	34,600	3.3	22,000	2.40	1,310	7/8	3/8	7/8	3/8	7/8	3/8		
	E(U,C,M,H)1P36C	A96UHMV090C16 A97USMV090C16	15.0	12.5	35,000	25,400	8.5	34,600	3.3	22,000	2.40	1,310	7/8	3/8	3/4	3/8	7/8	3/8		
	E(U,C,M,H)1P43C	A96UHMV090C16 A97USMV090C16	15.5	12.5	35,000	25,400	8.5	34,600	3.3	22,000	2.40	1,310	7/8	3/8	7/8	3/8	7/8	3/8		
	E(U,C,M,H)1P36C	A96UHMV110C20 A97USMV110C20	15.0	12.5	35,000	25,400	8.5	34,600	3.3	22,000	2.40	1,310	7/8	3/8	3/4	3/8	7/8	3/8		

NA

H4TXV01

+ DF or DS
UH or US
@ V or S

Note:
1 Certified in accordance with Unitary Air Conditioner Certification Program, which is based on AHRI Standard 210/240.
2 Required to achieve AHRI rating. If NA (Not Applicable) is in the piston column, then TXV is required
3 A blower time delay is required to achieve AHRI rating. This feature is standard on all Allied Air Enterprises furnace and air handler products.

COOLING PERFORMANCE WITH AIR HANDLERS AND FURNACES

Outdoor Model	Indoor Model		Cooling				Heating				CFM	Refrigerant Connection				Refrig. Line Size		Indoor Expansion Device		
	Evaporator Coil or Air Handler ²	Furnaces	SEER	EER	ARI Rated Capacity ¹	Rated Sensible Capacity	HSPF	47		17		Outdoor		Indoor		Suction	Liquid	Piston ²	TXV	
								Btuh	COP	Btuh		COP	Suction	Liquid	Suction					Liquid
4SHP16LS136P-2	E(U,C,M,H)1P43C	A96UHMV110C20 A97USMV110C20	15.5	12.5	35,000	25,400	8.5	34,600	3.3	22,000	2.40	1,310	7/8	3/8	7/8	3/8	7/8	3/8	NA	H4TXV01
	E(U,C,M,H)1P36B	LBR,LUF****V14	14.5	12.0	35,000	25,400	8.0	34,600	3.0	22,000	2.00	1,310	7/8	3/8	3/4	3/8	7/8	3/8	NA	H4TXV01
	E(U,C,M,H)1P43B	LBR,LUF****V14	14.5	12.0	35,000	25,400	8.0	34,600	3.0	22,000	2.00	1,310	7/8	3/8	7/8	3/8	7/8	3/8	NA	H4TXV01
	E(U,C,M,H)1P36B	LHF,LHR,LUF****V12	14.5	12.0	35,000	25,400	8.0	34,600	3.0	22,000	2.00	1,310	7/8	3/8	3/4	3/8	7/8	3/8	NA	H4TXV01
	E(U,C,M,H)1P43B	LHF,LHR,LUF****V12	14.5	12.0	35,000	25,400	8.0	34,600	3.0	22,000	2.00	1,310	7/8	3/8	7/8	3/8	7/8	3/8	NA	H4TXV01
	E(U,C,M,H)1P36C	LUF****V20	15.0	12.5	35,000	25,400	8.5	34,600	3.3	22,000	2.40	1,310	7/8	3/8	3/4	3/8	7/8	3/8	NA	H4TXV01
4SHP16LS148P-2	BCS2M48@00NA1P		16.0	12.0	46,000	33,500	8.5	45,500	3.2	29,000	2.40	1,600	7/8	3/8	7/8	3/8	7/8	3/8	NA	H4TXV02
	E(U,C,H)1P49C	EFV16CC	14.5	11.0	46,000	33,100	8.0	45,500	3.0	29,000	2.00	1,600	7/8	3/8	7/8	3/8	7/8	3/8	NA	H4TXV02
	E(U,C,H)1P62C	EFV16CC	15.0	11.5	46,000	33,100	8.0	45,500	3.0	29,000	2.00	1,600	7/8	3/8	7/8	3/8	7/8	3/8	NA	H4TXV02
	E(U,C,H)1P49C	A80DF1E110C20	14.0	11.5	46,000	33,500	8.5	45,500	3.3	29,000	2.40	1,600	7/8	3/8	7/8	3/8	7/8	3/8	NA	H4TXV02
	E(U,C,H)1P62C	A80DF1E110C20	14.0	11.5	46,000	33,500	8.5	45,500	3.3	29,000	2.40	1,600	7/8	3/8	7/8	3/8	7/8	3/8	NA	H4TXV02
	E(U,C,H)1P49C	A80+2V110C20	15.0	11.5	46,000	33,500	8.5	45,500	3.3	29,000	2.40	1,600	7/8	3/8	7/8	3/8	7/8	3/8	NA	H4TXV02
	E(U,C,H)1P62C	A80+2V110C20	15.0	11.5	46,000	33,500	8.5	45,500	3.3	29,000	2.40	1,600	7/8	3/8	7/8	3/8	7/8	3/8	NA	H4TXV02
	E(U,C,H)1P62C	A80+2V110C20	15.0	11.5	46,000	33,500	8.5	45,500	3.3	29,000	2.40	1,600	7/8	3/8	7/8	3/8	7/8	3/8	NA	H4TXV02
	E(U,C,H)1P49C	A80UH1E090C20*	14.5	11.5	46,000	33,500	8.5	45,500	3.3	29,000	2.40	1,600	7/8	3/8	7/8	3/8	7/8	3/8	NA	H4TXV02
	E(U,C,H)1P62C	A80UH1E090C20*	14.5	11.5	46,000	33,500	8.5	45,500	3.3	29,000	2.40	1,600	7/8	3/8	7/8	3/8	7/8	3/8	NA	H4TXV02
	E(U,C,H)1P49C	A80UH1E110C20*	14.5	11.5	46,000	33,500	8.5	45,500	3.3	29,000	2.40	1,600	7/8	3/8	7/8	3/8	7/8	3/8	NA	H4TXV02
	E(U,C,H)1P62C	A80UH1E110C20*	14.5	11.5	46,000	33,500	8.5	45,500	3.3	29,000	2.40	1,600	7/8	3/8	7/8	3/8	7/8	3/8	NA	H4TXV02
	E(U,C,H)1P49C	A80#2V090C20	15.0	11.5	46,000	33,500	8.5	45,500	3.3	29,000	2.40	1,600	7/8	3/8	7/8	3/8	7/8	3/8	NA	H4TXV02
	E(U,C,H)1P62C	A80#2V090C20	15.0	11.5	46,000	33,500	8.5	45,500	3.3	29,000	2.40	1,600	7/8	3/8	7/8	3/8	7/8	3/8	NA	H4TXV02
	E(U,C,H)1P49C	A80#2V110C20	15.0	11.5	46,000	33,500	8.5	45,500	3.3	29,000	2.40	1,600	7/8	3/8	7/8	3/8	7/8	3/8	NA	H4TXV02
	E(U,C,H)1P62C	A80#2V110C20	15.0	11.5	46,000	33,500	8.5	45,500	3.3	29,000	2.40	1,600	7/8	3/8	7/8	3/8	7/8	3/8	NA	H4TXV02
	E(U,C,H)1P49C	A95DF1E110C20S	13.5	11.5	46,000	33,500	8.5	45,500	3.3	29,000	2.40	1,600	7/8	3/8	7/8	3/8	7/8	3/8	NA	H4TXV02
	E(U,C,H)1P62C	A95DF1E110C20S	14.0	11.5	46,000	33,500	8.5	45,500	3.3	29,000	2.40	1,600	7/8	3/8	7/8	3/8	7/8	3/8	NA	H4TXV02
	E(U,C,H)1P49C	A95DF2V090C20S	14.5	11.0	46,000	33,500	8.5	45,500	3.3	29,000	2.40	1,600	7/8	3/8	7/8	3/8	7/8	3/8	NA	H4TXV02
	E(U,C,H)1P62C	A95DF2V090C20S	14.5	11.0	46,000	33,500	8.5	45,500	3.3	29,000	2.40	1,600	7/8	3/8	7/8	3/8	7/8	3/8	NA	H4TXV02
	E(U,C,H)1P49C	A95DF2V110C20S	15.0	11.0	46,000	33,500	8.5	45,500	3.3	29,000	2.40	1,600	7/8	3/8	7/8	3/8	7/8	3/8	NA	H4TXV02
	E(U,C,H)1P62C	A95DF2V110C20S	15.0	11.0	46,000	33,500	8.5	45,500	3.3	29,000	2.40	1,600	7/8	3/8	7/8	3/8	7/8	3/8	NA	H4TXV02
	E(U,C,H)1P49C	A95UH1E110C20S	13.5	11.5	46,000	33,500	8.5	45,500	3.3	29,000	2.40	1,600	7/8	3/8	7/8	3/8	7/8	3/8	NA	H4TXV02
	E(U,C,H)1P62C	A95UH1E110C20S	14.0	11.5	46,000	33,500	8.5	45,500	3.3	29,000	2.40	1,600	7/8	3/8	7/8	3/8	7/8	3/8	NA	H4TXV02
E(U,C,H)1P49C	A95UH2V090C16S	14.5	11.0	46,000	33,500	8.5	45,500	3.3	29,000	2.40	1,600	7/8	3/8	7/8	3/8	7/8	3/8	NA	H4TXV02	

+ DF or DS
UH or US
@ V or S

Note:
1 Certified in accordance with Unitary Air Conditioner Certification Program, which is based on AHRI Standard 210/240.
2 Required to achieve AHRI rating. If NA (Not Applicable) is in the piston column, then TXV is required
3 A blower time delay is required to achieve AHRI rating. This feature is standard on all Allied Air Enterprises furnace and air handler products.

COOLING PERFORMANCE WITH AIR HANDLERS AND FURNACES

Outdoor Model	Indoor Model		Cooling				Heating				CFM	Refrigerant Connection				Refrig. Line Size		Indoor Expansion Device		
	Evaporator Coil or Air Handler ²	Furnaces	SEER	EER	ARI Rated Capacity ¹	Rated Sensible Capacity	HSPF	47		17		Outdoor		Indoor		Suction	Liquid	Piston ²	TXV	
								Btuh	COP	Btuh		COP	Suction	Liquid	Suction					Liquid
4SHPI6LS148P-2	E(U,C,H)1P62C	A95UH2V090C16S	15.0	11.0	46,000	33,500	8.5	45,500	3.3	29,000	2.40	1,600	7/8	3/8	7/8	3/8	7/8	3/8	NA H4TXV02	
	E(U,C,H)1P49C	A95UH2V090C20S	15.0	11.5	46,000	33,500	8.5	45,500	3.3	29,000	2.40	1,600	7/8	3/8	7/8	3/8	7/8	3/8		
	E(U,C,H)1P62C	A95UH2V090C20S	15.0	11.5	46,000	33,500	8.5	45,500	3.3	29,000	2.40	1,600	7/8	3/8	7/8	3/8	7/8	3/8		
	E(U,C,H)1P49C	A95UH2V110C16S	15.0	11.5	46,000	33,500	8.5	45,500	3.3	29,000	2.40	1,600	7/8	3/8	7/8	3/8	7/8	3/8		
	E(U,C,H)1P62C	A95UH2V110C16S	15.0	11.5	46,000	33,500	8.5	45,500	3.3	29,000	2.40	1,600	7/8	3/8	7/8	3/8	7/8	3/8		
	E(U,C,H)1P49C	A95UH2V110C20S	15.0	11.5	46,000	33,500	8.5	45,500	3.3	29,000	2.40	1,600	7/8	3/8	7/8	3/8	7/8	3/8		
	E(U,C,H)1P62C	A95UH2V110C20S	15.0	11.5	46,000	33,500	8.5	45,500	3.3	29,000	2.40	1,600	7/8	3/8	7/8	3/8	7/8	3/8		
	E(U,C,H)1P49C	A96DFMV090C16 A97DSMV090C16	15.0	11.0	46,000	33,500	8.5	45,500	3.3	29,000	2.40	1,600	7/8	3/8	7/8	3/8	7/8	3/8		
	E(U,C,H)1P62C	A96DFMV090C16 A97DSMV090C16	15.0	11.5	46,000	33,500	8.5	45,500	3.3	29,000	2.40	1,600	7/8	3/8	7/8	3/8	7/8	3/8		
	E(U,C,H)1P49C	A96DFMV090C20 A97DSMV090C20	14.5	11.0	46,000	33,500	8.5	45,500	3.3	29,000	2.40	1,600	7/8	3/8	7/8	3/8	7/8	3/8		
	E(U,C,H)1P62C	A96DFMV090C20 A97DFMV090C20	14.5	11.0	46,000	33,500	8.5	45,500	3.3	29,000	2.40	1,600	7/8	3/8	7/8	3/8	7/8	3/8		
	E(U,C,H)1P49C	A96DFMV110C20 A97DSMV110C20	15.0	11.0	46,000	33,500	8.5	45,500	3.3	29,000	2.40	1,600	7/8	3/8	7/8	3/8	7/8	3/8		
	E(U,C,H)1P62C	A96DFMV110C20 A97DSMV110C20	14.5	11.0	46,000	33,500	8.5	45,500	3.3	29,000	2.40	1,600	7/8	3/8	7/8	3/8	7/8	3/8		
	E(U,C,H)1P49C	A96UHMV090C16 A97USMV090C16	14.5	11.0	46,000	33,500	8.5	45,500	3.3	29,000	2.40	1,600	7/8	3/8	7/8	3/8	7/8	3/8		
	E(U,C,H)1P62C	A96UHMV090C16 A97USMV090C16	14.5	11.0	46,000	33,500	8.5	45,500	3.3	29,000	2.40	1,600	7/8	3/8	7/8	3/8	7/8	3/8		
	E(U,C,H)1P49C	A96UHMV090C20 A97USMV090C20	14.5	11.5	46,000	33,500	8.5	45,500	3.3	29,000	2.40	1,600	7/8	3/8	7/8	3/8	7/8	3/8		
	E(U,C,H)1P62C	A96UHMV090C20 A97USMV090C20	14.5	11.5	46,000	33,500	8.5	45,500	3.3	29,000	2.40	1,600	7/8	3/8	7/8	3/8	7/8	3/8		
	E(U,C,H)1P49C	A96UHMV110C20 A97USMV110C20	15.0	11.5	46,000	33,500	8.5	45,500	3.3	29,000	2.40	1,600	7/8	3/8	7/8	3/8	7/8	3/8		
	E(U,C,H)1P62C	A96UHMV110C20 A97USMV110C20	15.0	11.5	46,000	33,500	8.5	45,500	3.3	29,000	2.40	1,600	7/8	3/8	7/8	3/8	7/8	3/8		
	E(U,C,H)1P49C	LBR,LUF*****V14	14.5	11.5	46,000	33,100	8.0	45,500	3.0	29,000	2.00	1,600	7/8	3/8	7/8	3/8	7/8	3/8		
E(U,C,H)1P62C	LBR,LUF*****V14	14.0	11.5	46,000	33,100	8.0	45,500	3.0	29,000	2.00	1,600	7/8	3/8	7/8	3/8	7/8	3/8			
E(U,C,H)1P49C	LUF*****V20	14.0	11.5	46,000	33,100	8.0	45,500	3.0	29,000	2.00	1,600	7/8	3/8	7/8	3/8	7/8	3/8			
E(U,C,H)1P62C	LUF*****V20	14.0	11.5	46,000	33,100	8.0	45,500	3.0	29,000	2.00	1,600	7/8	3/8	7/8	3/8	7/8	3/8			

+ DF or DS
UH or US
@ V or S

Note:
1 Certified in accordance with Unitary Air Conditioner Certification Program, which is based on AHRI Standard 210/240.
2 Required to achieve AHRI rating. If NA (Not Applicable) is in the piston column, then TXV is required
3 A blower time delay is required to achieve AHRI rating. This feature is standard on all Allied Air Enterprises furnace and air handler products.

COOLING PERFORMANCE WITH AIR HANDLERS AND FURNACES

Outdoor Model	Indoor Model		Cooling				Heating					CFM	Refrigerant Connection				Refrig. Line Size		Indoor Expansion Device	
	Evaporator Coil or Air Handler ²	Furnaces	SEER	EER	ARI Rated Capacity ¹	Rated Sensible Capacity	HSPF	47		17			Outdoor		Indoor		Suction	Liquid	Piston ²	TXV
								Btuh	COP	Btuh	COP		Suction	Liquid	Suction	Liquid				
4SHP16LS16OP-2	BCS2M60@00NA1P		15.0	11.5	58,000	43,000	8.5	58,000	3.3	35,000	2.40	1,920	7/8	3/8	7/8	3/8	11/8	3/8	NA	H4TXV03
	E(U,C,H)1P62D	EFV20DC	14.5	11.0	58,000	43,000	8.0	58,000	3.3	35,000	2.40	1,920	7/8	3/8	7/8	3/8	11/8	3/8		
	E(U,C,H)1P62C	A80+2V110C20	15.0	11.4	58,000	43,000	8.5	58,000	3.3	35,000	2.40	1,920	7/8	3/8	7/8	3/8	11/8	3/8		
	E(U,C,H)1P62C	A80UH1E090C20*	14.0	11.0	58,000	43,000	8.5	58,000	3.3	35,000	2.40	1,920	7/8	3/8	7/8	3/8	11/8	3/8		
	E(U,C,H)1P62C	A80UH1E110C20*	14.0	11.0	58,000	43,000	8.5	58,000	3.3	35,000	2.40	1,920	7/8	3/8	7/8	3/8	11/8	3/8		
	E(U,C,H)1P62C	A80#2V090C20	14.5	11.4	58,000	43,000	8.5	58,000	3.3	35,000	2.40	1,920	7/8	3/8	7/8	3/8	11/8	3/8		
	E(U,C,H)1P62C	A80#2V110C20	14.0	11.0	58,000	43,000	8.5	58,000	3.3	35,000	2.40	1,920	7/8	3/8	7/8	3/8	11/8	3/8		
	E(U,C,H)1P62D	A80#2V135D20	14.5	11.0	58,000	43,000	8.5	58,000	3.3	35,000	2.40	1,920	7/8	3/8	7/8	3/8	11/8	3/8		
	E(U,C,H)1P62C	A95DF1E110C20S	14.0	11.0	58,000	43,000	8.5	58,000	3.3	35,000	2.40	1,920	7/8	3/8	7/8	3/8	11/8	3/8		
	E(U,C,H)1P62C	A95DF2V090C20S	14.5	11.0	58,000	43,000	8.5	58,000	3.3	35,000	2.40	1,920	7/8	3/8	7/8	3/8	11/8	3/8		
	E(U,C,H)1P62C	A95DF2V110C20S	14.5	11.0	58,000	43,000	8.5	58,000	3.3	35,000	2.40	1,920	7/8	3/8	7/8	3/8	11/8	3/8		
	E(U,C,H)1P62C	A95UH1E110C20S	14.0	11.0	58,000	43,000	8.5	58,000	3.3	35,000	2.40	1,920	7/8	3/8	7/8	3/8	11/8	3/8		
	E(U,C,H)1P62D	A95UH1E135D20S	13.5	10.5	58,000	43,000	8.5	58,000	3.3	35,000	2.40	1,920	7/8	3/8	7/8	3/8	11/8	3/8		
	E(U,C,H)1P62C	A95UH2V090C20S	14.5	11.0	58,000	43,000	8.5	58,000	3.3	35,000	2.40	1,920	7/8	3/8	7/8	3/8	11/8	3/8		
	E(U,C,H)1P62C	A95UH2V110C20S	14.5	11.0	58,000	43,000	8.5	58,000	3.3	35,000	2.40	1,920	7/8	3/8	7/8	3/8	11/8	3/8		
	E(U,C,H)1P62D	A95UH2V135D20S	14.5	11.0	58,000	43,000	8.5	58,000	3.3	35,000	2.40	1,920	7/8	3/8	7/8	3/8	11/8	3/8		
	E(U,C,H)1P62C	A96DFMV090C20 A97DSMV090C20	14.5	11.0	58,000	43,000	8.5	58,000	3.3	35,000	2.40	1,920	7/8	3/8	7/8	3/8	11/8	3/8		
	E(U,C,H)1P62C	A96DFMV110C20 A97DSMV110C20	14.5	11.0	58,000	43,000	8.5	58,000	3.3	35,000	2.40	1,920	7/8	3/8	7/8	3/8	11/8	3/8		
	E(U,C,H)1P62C	A96UHMV090C20 A97USMV110C20	14.5	11.0	58,000	43,000	8.5	58,000	3.3	35,000	2.40	1,920	7/8	3/8	7/8	3/8	11/8	3/8		
	E(U,C,H)1P62C	A96UHMV110C20 A97USMV110C20	15.0	11.0	58,000	43,000	8.5	58,000	3.3	35,000	2.40	1,920	7/8	3/8	7/8	3/8	11/8	3/8		
E(U,C,H)1P62D	A96UHMV135D20 A97USMV135D20	14.5	11.0	58,000	43,000	8.5	58,000	3.3	35,000	2.40	1,920	7/8	3/8	7/8	3/8	11/8	3/8			
E(U,C,H)1P62C	LUF*****V20	14.5	11.5	58,000	43,000	8.0	58,000	3.0	35,000	2.00	1,920	7/8	3/8	7/8	3/8	11/8	3/8			

+ DF or DS
UH or US
@ V or S

Note:
1 Certified in accordance with Unitary Air Conditioner Certification Program, which is based on AHRI Standard 210/240.
2 Required to achieve AHRI rating. If NA (Not Applicable) is in the piston column, then TXV is required
3 A blower time delay is required to achieve AHRI rating. This feature is standard on all Allied Air Enterprises furnace and air handler products.

COOLING PERFORMANCE EXTENDED RATINGS

Outdoor Model	Indoor Model	Indoor Temp DB/WB °F	Outdoor Temp - DB°F														
			65°			82°			95°			105°			115°		
	Piston or Field Installed TXV		Btuh	S/T	kW	Btuh	S/T	kW	Btuh	S/T	kW	Btuh	S/T	kW	Btuh	S/T	kW
4SHP16LS124P-2	BCS2M24V+TXV BCS2M24S+TXV	85/75	32,300	0.59	1.54	29,523	0.61	1.80	27,400	0.63	1.99	24,800	0.69	2.25	22,200	0.74	2.51
		80/67	29,400	0.65	1.51	26,793	0.70	1.78	24,800	0.73	1.99	22,950	0.74	2.20	21,100	0.75	2.41
		75/63	26,700	0.69	1.48	24,490	0.71	1.74	22,800	0.73	1.93	21,550	0.76	2.16	20,300	0.78	2.38
		75/57	23,100	0.73	1.45	21,400	0.74	1.71	20,100	0.74	1.90	19,250	0.77	2.00	18,400	0.79	2.10
4SHP16LS136P-2	BCS2M36V+TXV BCS2M36S+TXV	85/75	45,000	0.60	2.40	42,223	0.66	2.73	40,100	0.71	2.99	31,750	0.80	3.30	23,400	0.89	3.60
		80/67	42,100	0.61	2.38	39,550	0.68	2.70	37,600	0.73	2.94	30,050	0.82	2.77	22,500	0.91	2.60
		75/63	39,300	0.63	2.35	37,033	0.69	2.20	35,300	0.73	2.08	28,550	0.82	2.33	21,800	0.91	2.58
		75/57	37,200	0.66	2.31	35,613	0.72	2.12	34,400	0.76	1.98	27,250	0.83	2.04	20,100	0.90	2.10
4SHP16LS148P-2	BCS2M48V+TXV BCS2M48S+TXV	85/75	52,300	0.62	2.96	51,053	0.64	3.49	50,100	0.66	3.89	47,600	0.74	4.27	45,100	0.82	4.65
		80/67	50,600	0.68	2.12	49,127	0.70	3.11	48,000	0.72	3.87	45,300	0.77	4.26	42,600	0.81	4.65
		75/63	48,300	0.72	2.87	44,730	0.74	3.35	42,000	0.75	3.72	39,500	0.77	4.18	37,000	0.79	4.64
		75/57	46,400	0.73	2.86	43,510	0.75	3.34	41,300	0.76	3.71	38,500	0.77	4.11	35,700	0.78	4.51
4SHP16LS160P-2	BCS2M60V+TXV BCS2M60S+TXV	85/75	74,900	0.62	3.72	69,290	0.65	4.49	65,000	0.68	5.07	61,400	0.68	5.71	57,800	0.68	6.34
		80/67	69,700	0.69	3.65	64,770	0.71	4.46	61,000	0.73	5.08	55,800	0.77	5.70	50,600	0.81	6.32
		75/63	65,100	0.73	3.63	60,170	0.75	4.37	56,400	0.76	4.93	52,050	0.80	5.57	47,700	0.83	6.20
		75/57	61,400	0.75	3.58	57,207	0.76	4.28	54,000	0.77	4.81	49,550	0.81	5.48	45,100	0.85	6.14

HEATING PERFORMANCE EXTENDED RATINGS

Outdoor Model	Indoor Model	Indoor Temp	Outdoor Temp - DB/WB °F									
	Piston or Field Installed TXV		0/0		17/15		35/33		47/43		62/56	
			Btuh	kW	Btuh	kW	Btuh	kW	Btuh	kW	Btuh	kW
4SHP16LS124P-2	BCS2M24V+TXV BCS2M24S+TXV	70	12,361	1.64	15,100	1.83	18,000	2.03	24,500	2.17	29,200	2.34
4SHP16LS136P-2	BCS2M36V+TXV BCS2M36S+TXV	70	15,811	2.04	22,800	2.49	30,200	2.97	40,600	3.55	49,500	4.08
4SHP16LS148P-2	BCS2M48V+TXV BCS2M48S+TXV	70	28,561	3.32	31,300	3.49	34,200	3.67	46,900	3.59	54,700	3.64
4SHP16LS160P-2	BCS2M60V+TXV BCS2M60S+TXV	70	36,783	4.04	39,900	4.17	43,200	4.31	60,300	4.73	70,500	5.01

ACCESSORIES

System Accessory	Where Used	Kit Number	Usage
Liquid Line solenoid	All models	60M52	Prevents liquid migration to the compressor especially for high liquid riser applications
Low ambient HP units (cooling operation)	All models	54M89	Enables cooling demand down to 30 °F. Will require freeze stat, CC heater and TXV
Mild ambient (heating operation)	All models	11B97	Enables heating demand above 60 °F ambient
Cold weather	All models	1.921145	To allow unit to operate at very low ambient conditions (older models). Board integrated feature on new models
Fossil Fuel Kit (Heat Pump Only)	All models	1.841185 (AFOSL500)	Required for furnace with heat pump installations
Hard Start	24	63W22	Scroll compressors usually do not require hard start; maybe needed for utility brown-out or low voltage areas
	36 & 48	10J42	
	60	63W24	
Crankcase Heater	All models	Factory Installed	Prevents liquid migration to compressor in cold weather
Sound Cover	All models	Factory Installed	Lowers compressor sound level
Loss of Charge Kit	All models	Factory Installed	Protects the compressor if refrigerant charge is too low
Additional System Accessories (indoor section)			
TXV Kit	18, 24, 30	H4TXV01	TXVs provide superior refrigerant flow control, comfort and efficiency compared to pistons
	36, 42, 48	H4TXV02	
	60	H4TXV03	
Outdoor Thermostat - electric heat	All models	10Z23 (56A87)	Prevents electric heat operation above specific ambient conditions
Outdoor Thermostat - Mounting box	All models	31461	Mounting box for outdoor thermostat
Comfort Sync® A3 Thermostat	All models	1.841226	Communicating thermostat
Comfort Sync® Zoning Controller	All models	1.851399	Controls zoning system
Comfort Sync® Zone Sensor	All models	1.851422	Communicates zone temperatures to thermostat
Freeze stat	All models	93G35	Protects the compressor at low suction pressure conditions
Over flow switch	All models	11U75	Turn the system off, if condensate water overflows due to clogged drain pipes
Single point power supply	All models	21H39	Provide single power source in one junction box
Auxiliary blower relay	All models	85W66	Maybe required to select multiple indoor blower speeds



1-800-448-5872

All specifications and illustrations subject to change without notice and without incurring obligations.