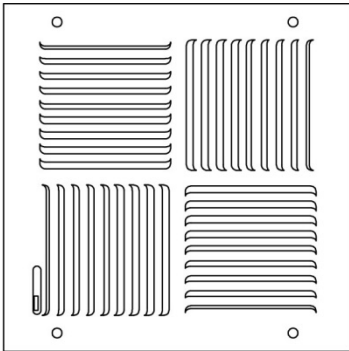




Residential Submittal Sheet

150 Series

4-Way Ceiling Diffuser



Model: 150
Description: 4-Way Stamped Ceiling Diffuser

Standard Features:

- 4-Way ceiling diffuser with stiffened 1/2" fan shaped louvers for silent operation
- Lever operated multi-shutter damper
- All component parts, rivets, linkage, and handle enclosed in valve to assure trouble-free operation
- Countersunk mounting holes for flush appearance with color matching Phillips posi-drive screws
- Soft White

Options:

- Face only (151)
- Lever operated Opposed Blade Damper (150-0)
- Square to round ADC compliant 2" No Labor Collar with roll formed retention bead (150-NLC)

Tamper Proof Screws

- "F" Torx Center Pin

Finishes:

Standard Colors

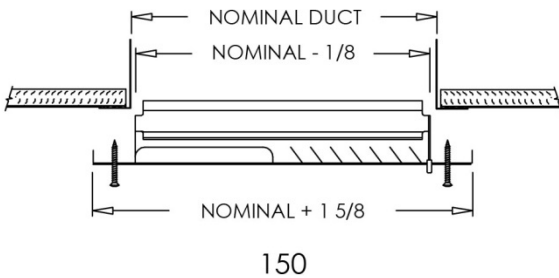
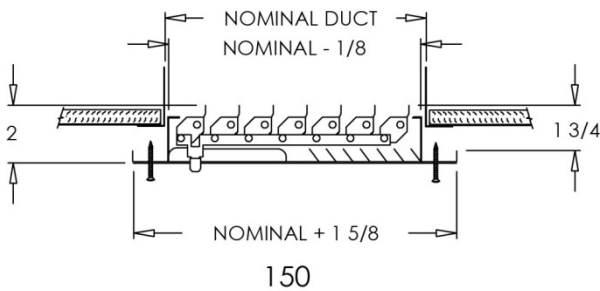
- Soft White
- Driftwood Tan

Designer Colors

- Almond
- Black Velvet
- Bronze
- Camaro Silver
- Coffee Tan
- Navajo White
- Vanilla

Custom Plating

- Antique Brass
- Black Nickel
- Oil Rub Bronze
- Pewter
- Polished Brass
- Polished Chrome
- Satin Nickel



Additional Information:

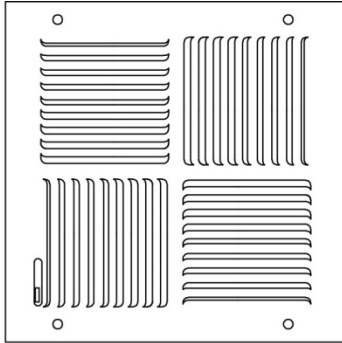
Project / Location:	Submittal Notes
Engineer:	
Architect:	
Contractor:	



Residential Submittal Sheet

150-O Series

4-Way Ceiling Diffuser with Opposed Blade Damper

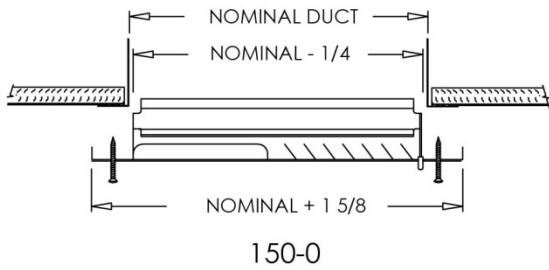
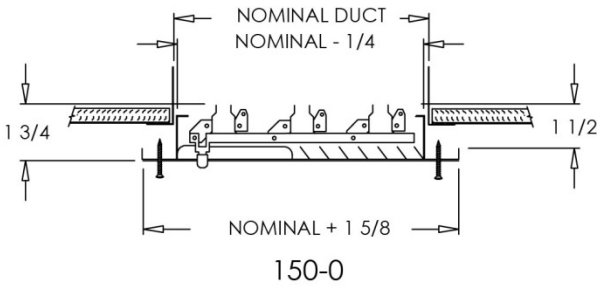


Model: 150-O
Description: 4-Way Stamped Ceiling Diffuser with Opposed Blade Damper

- Standard Features:**
- 4-Way ceiling diffuser with stiffened 1/2" fan shaped louvers for silent operation
 - Lever operated Opposed Blade Damper
 - All component parts, rivets, linkage, and handle enclosed in valve to assure trouble-free operation
 - Countersunk mounting holes for flush appearance with color matching Phillips posi-drive screws
 - Soft White

- Options:**
- Face only (151)
 - Square to round ADC compliant 2" No Labor Collar with roll formed retention bead (150-NLC)
- Tamper Proof Screws**
- "F" Torx Center Pin

- Finishes:**
- | | |
|--|--|
| Standard Colors | Designer Colors |
| <input type="checkbox"/> Soft White | <input type="checkbox"/> Almond |
| <input type="checkbox"/> Driftwood Tan | <input type="checkbox"/> Black Velvet |
| | <input type="checkbox"/> Bronze |
| | <input type="checkbox"/> Camaro Silver |
| | <input type="checkbox"/> Coffee Tan |
| | <input type="checkbox"/> Navajo White |
| | <input type="checkbox"/> Vanilla |



Additional Information:

Project / Location:	Submittal Notes
Engineer:	
Architect:	
Contractor:	