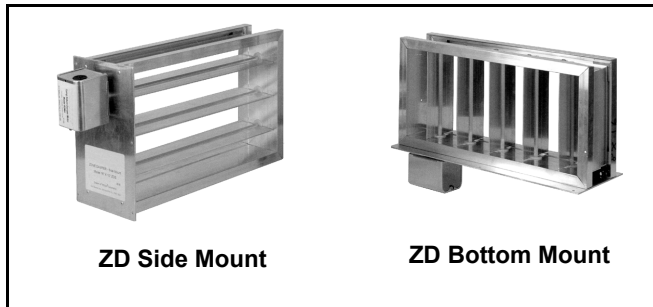


ZD Series Dampers

PRODUCT DATA



APPLICATION

The ZD is a power close, and spring open damper. It has a 24-volt, spring-return, power-closed damper motor used to control circulating air in heating, cooling and ventilating systems. It is used when a normally-open damper is required. The ZD is typically used with the TotalZone® Systems and other electronic mini-zone damper systems.

FEATURES

- Reliable spring-return motor.
- Fail-safe, normally-open operation.
- Strong 24-volt spring-return motor.
- Quiet operation with fewer blades.
- Simple, easy-to-wire, two-wire operation.
- Parallel blade design for low leakage performance.
- Easy slip-in design.
- Solid construction using extruded aluminum frame and blades.
- Can be mounted on the side or bottom of the duct, as the application requires.

Contents

Application	1
Features	1
Specifications	2
Ordering Information	2
Installation	3
Wiring	3
Checkout	4



SPECIFICATIONS

IMPORTANT

The specifications given in this publication do not include normal manufacturing tolerances. Therefore, this unit may not exactly match the listed specifications. Also, this product is tested and calibrated under closely controlled conditions, and some minor differences in performance can be expected if those conditions are changed.

Available Damper Sizes: Even sizes from 6 in. x 6 in. up to 36 in. x 36 in.

Damper Dimensions: All ZD dampers are actually sized 5/32 in. smaller than the listed size to ensure correct fit.

Motor Electrical Rating: 24 Vac, 60 Hz, 0.32 A.

Motor Electrical Connection: 4 in. leadwire.

Motor Nominal Angular Rotation: 90°.

Motor Torque: Minimum 71 in.-oz. (500 milli-newton meters) output torque available when motor is energized and device is at the spring return initial start position.

Nominal Motor Timing at 77°F (25°C) Ambient:

Energized at rated load: 30 seconds.
De-energized (spring return): 10 seconds.

Motor Ambient Temperature Rating: 40° to 140°F (5° to 60°C).

Motor Finish: Zinc-plated steel, anodized aluminum.

Motor Shaft Rotation Direction: Clockwise, when energized and viewed from the base or shaft end.

Motor Mounting Means: Direct connection to damper shaft.

Motor Mounting Position: Multi-prise.

Motor Dimensions: See Fig. 1.

* Nominal Device Dimensions (see Fig. 1.).

	A	B	C	D	E	F	G	H	I	J	K	L
in.	2-3/8	3-3/8	3-1/2	5/16	1-1/4	3/4	5/8	2-5/16	1-3/16	1-5/16	1/4	1-9/16
mm	60	84.5	88	8.2	31.5	19.3	15.8	58.6	29.3	33.5	6.4	40.4

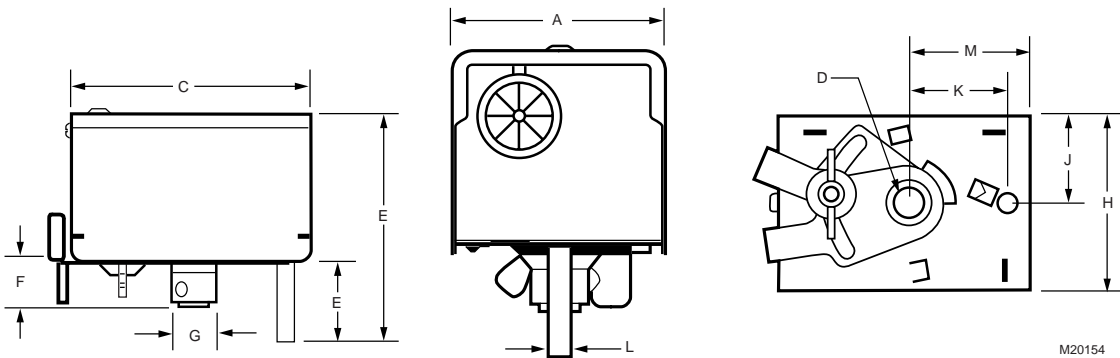


Fig. 1. Motor dimensions in in. (mm).

ORDERING INFORMATION

When purchasing replacement and modernization products from your TRADELINE® wholesaler or distributor, refer to the TRADELINE® Catalog or price sheets for complete ordering number.

If you have additional questions, need further information, or would like to comment on our products or services, please write or phone:

1. Your local Honeywell Automation and Control Products Sales Office (check white pages of your phone directory).
2. Honeywell Customer Care
1885 Douglas Drive North
Minneapolis, Minnesota 55422-4386

In Canada—Honeywell Limited/Honeywell Limitée, 35 Dynamic Drive, Scarborough, Ontario M1V 4Z9.

International Sales and Service Offices in all principal cities of the world. Manufacturing in Australia, Canada, Finland, France, Germany, Japan, Mexico, Netherlands, Spain, Taiwan, United Kingdom, U.S.A.

INSTALLATION

When Installing this Product...

1. Read these instructions carefully. Failure to follow these instructions can damage the product or cause a hazardous condition.
2. Check the ratings given in the instructions and on the product to make sure the product is suitable for your application.
3. Installer must be a trained, experienced service technician.
4. All wiring must comply with local electrical codes, ordinances, and regulations.
5. After completing installation, use these instructions to check out the product operation.

Planning the Installation

Selecting a Location

Select a location for the zone dampers that is at least three feet from the HVAC unit plenum in the air duct takeoff to the respective zone and is easily accessible for checkout and maintenance.

The ZD comes complete and ready for installation. The motor and linkage are factory-assembled to the damper. The damper is assembled for installation and wiring to the control panel.

Selecting Damper Size

To ensure correct operation, be sure to select the correct zone damper size for the air duct:

IMPORTANT

Be aware that damper sizes are built 5/32 in. smaller than the listed dimensional sizes.

- If the damper is forced into an undersized air duct, the excess pressure can jam the damper blades and cause improper operation.
- When a small percentage of continuous flow is desired in a zone, even when the damper blades are closed, adjust motor closed position to be slightly open to maintain desired air flow.

Selecting Location with Humidifier Installed

IMPORTANT

Excessive lime or mineral deposits can accumulate on damper blades and cause improper operation when spray or atomizing type humidifiers are installed in the furnace plenum or air supply duct with the zone dampers.

- Spray or atomizer type humidifiers that are installed in the furnace plenum or air supply duct are not recommended.
- Evaporative type humidifiers are recommended.

Installing the Damper

IMPORTANT

- Install dampers into a squared air duct.
- Do not weld dampers to the air ducts.
- Do not force dampers into undersized air ducts. Excess pressure can damage damper blades.
- Be sure high limit setting is less than 200° F (93°C).
- Higher settings can damage the electric actuator.

1. Be sure the ZD is correctly sized to the air duct (see Selecting Damper Size section).
2. Select a ZD location that is three feet from the furnace plenum.
3. Cut a 4-in. (102 mm) opening in the accessible side of the air duct at the location selected; ensure the opening of the air duct is cut fully from seam to seam.
4. Secure the ZD mounting plate to the air duct with the self-tapping sheet metal screws provided.

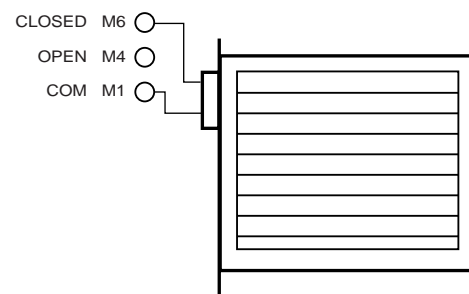
WIRING



CAUTION

Personal Electrical Shock Hazard.
Can cause electrical shock or equipment damage.
Disconnect power before beginning installation.

The ZD has a 24 Vac, 50/60 cycle, .32A motor. The ZD is wired to terminals M1 and M6 for power closed/spring return open. See Fig. 2. The ZD is a spring return damper that requires 24V to the two motor leads to power the damper closed. When power is removed from the motor, the damper springs back to its normally-open position. When used with Honeywell Networked Zoning, use closed and com terminals.



NOTE:
WHEN INSTALLING ON OLDER MASTERTROL™
BOARDS SUCH AS THE MARK V, JUMPER
M2-M5 ON THE PANEL.
M14851A

Fig. 2. Power closed spring return open ZD wiring.

Wiring Multiple Dampers

When the same zone controls two or more dampers, wire the dampers in parallel to terminals M1 and M6 on the zone control panel.

Wiring a Motor

See Fig. 2 for typical motor wiring hookup.

Changing a Motor

1. Disconnect the motor wiring.
2. Loosen the large Allen set screw located between the faceplate and the motor coupling.
3. Remove the motor.
4. Ensure damper blades are in the open position with the set screw pointing toward the open position on the label.
5. Attach new motor to the coupling; be sure that the standoff on the motor is positioned in the grommet on the faceplate and that the set screw is aligned with the motor shaft hole.
6. Tighten the set screw.

Adjusting a Motor

1. When viewed on end, the lower lever is normally positioned to the extreme left and the upper lever positioned to the extreme right. See Fig. 4. This position provides complete shutoff when the actuator is energized.
2. To prevent complete closure of the damper, loosen (do not remove) the wing nut on the bottom of the unit and move the upper lever to the left until the desired position is reached. Tighten the wing nut. In the extreme left position, the damper should stay open approximately 40° with the power on.
3. The lower lever is normally positioned to the left to allow the damper to fully open 90° when energized. See Fig. 4.
4. To restrict the air flow in the open position, loosen (do not remove) the wing nut and move the lower lever to the right until the desired position is reached. Tighten the wing nut. In the extreme right position, the damper should open approximately 50° with the power off.

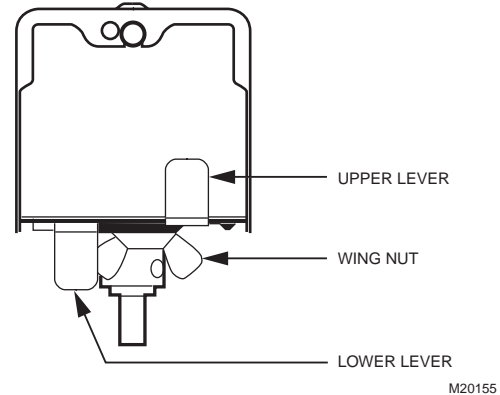


Fig. 3. Air flow adjustment.

CHECKOUT

To check out the ZD:

1. With 24 Vac applied to the motor leads, observe the motor powering the damper to the closed position.
2. When energized, verify that the actuator connection coupling rotates in a clockwise direction (as viewed from the operator base end) and that the damper shaft turns with the coupling.
3. With power removed, observe the damper returning to the normally-open position.

NOTE: To remove power, disconnect one wire from the motor.

4. If the motor does not operate smoothly and without hesitation throughout the complete opening and closing stroke, examine the damper and the shaft for free rotation within the duct.
5. If the full opening and closing is not achieved, check that the lower adjustment lever is to the extreme left and the upper lever is to the extreme right. See Fig. 4.

Honeywell

Automation and Control Solutions

Honeywell International Inc.	Honeywell Limited-Honeywell Limitée
1985 Douglas Drive North	35 Dynamic Drive
Golden Valley, MN 55422	Scarborough, Ontario
	M1V 4Z9

