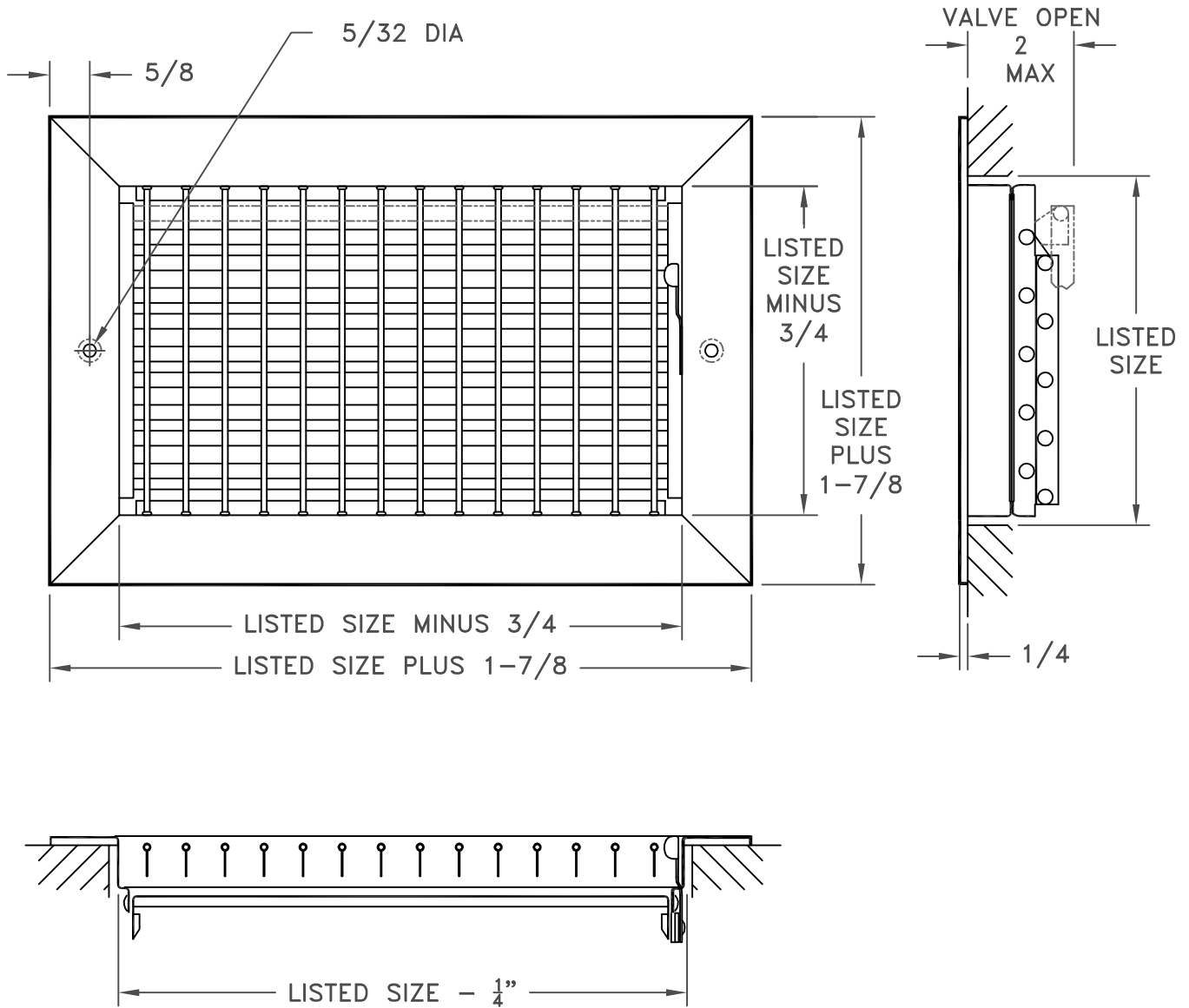


- ALL STEEL CONSTRUCTION
- ADJUSTABLE BARS ON 3/4 INCH CENTERS
- ADJUSTABLE MULTI-SHUTTER VALVE
- MINIMUM SIZE: 6 X 4
- MAXIMUM SIZE: 48 X 36 } ONE PIECE CONSTRUCTION
- FINISH: WHITE (W) ENAMEL



JOB NAME: _____	SUBMITTED BY: _____	DATE: 06/19/2013	SD-9000
LOCATION: _____		821	
ARCHITECT: _____		Steel Register	
ENGINEER: _____		Adjustable Vertical Face Bars	
CONTRACTOR: _____		Multi-Shutter Damper	